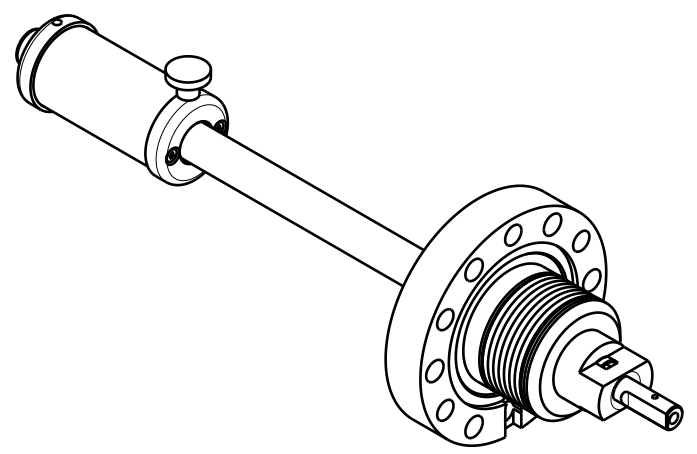
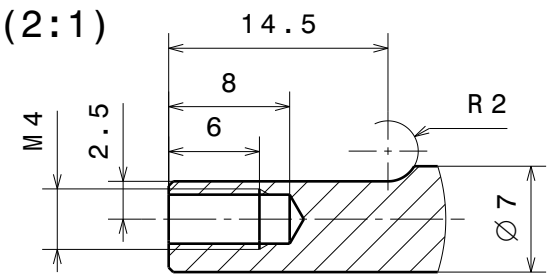


flange DN40CF (2.75" OD)



A-A (2:1)



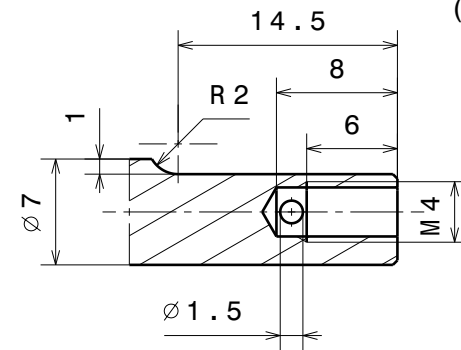
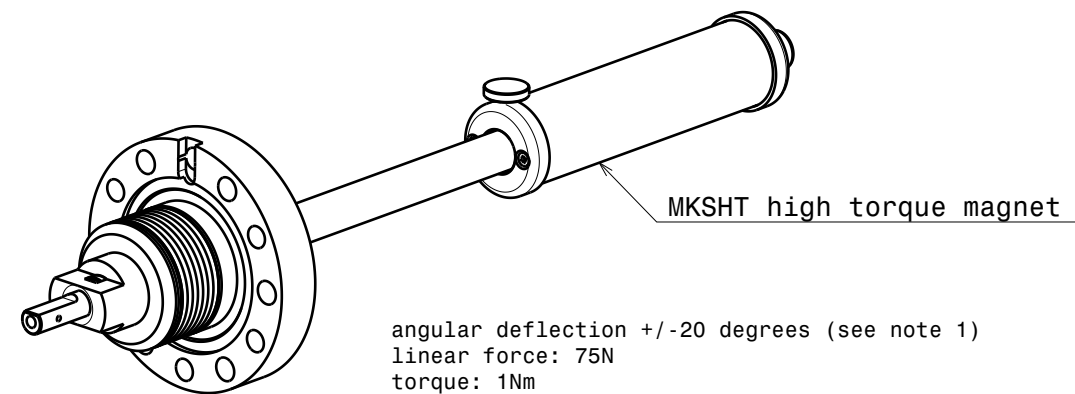
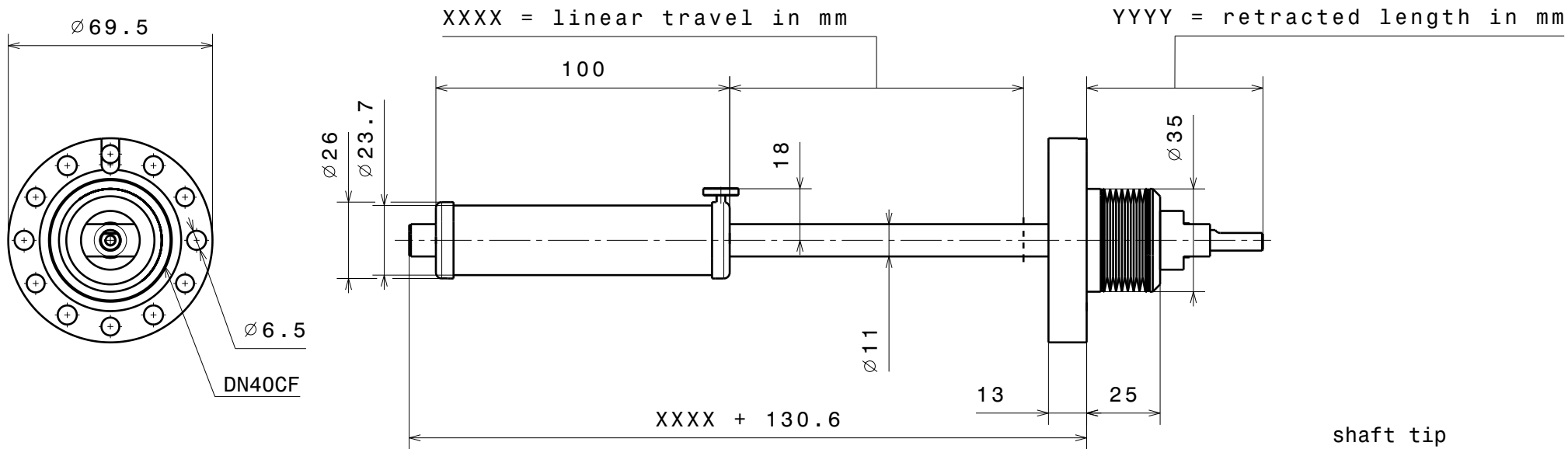
▽ Ra 1.6 (✓)

+0.2 / +0.1

-0.1 / -0.2

Allgemeintoleranzen ISO 2768-K

Material: fully UHV compatible materials	Nennmass	über	1	6	30	100	300	1000
Single Shaft Wobblestick	bis		6	30	100	300	1000	2000
	Toleranz	±	0.05	0.1	0.3	0.5	0.8	1.2
DN40CF	Masstab	gezeichnet	Denys Sutter					
Ferrovac GmbH CH-8050 Zürich	1:2	Datum	03.02.2010					
		geändert	03.02.14 UM					
			WM40-XXXX-YYYY					



$\sqrt{\text{Ra 1.6}}$ (\checkmark) $\begin{matrix} +0.2 \\ +0.1 \end{matrix}$ $\begin{matrix} -0.1 \\ -0.2 \end{matrix}$

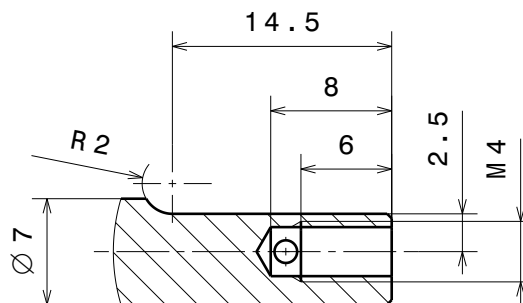
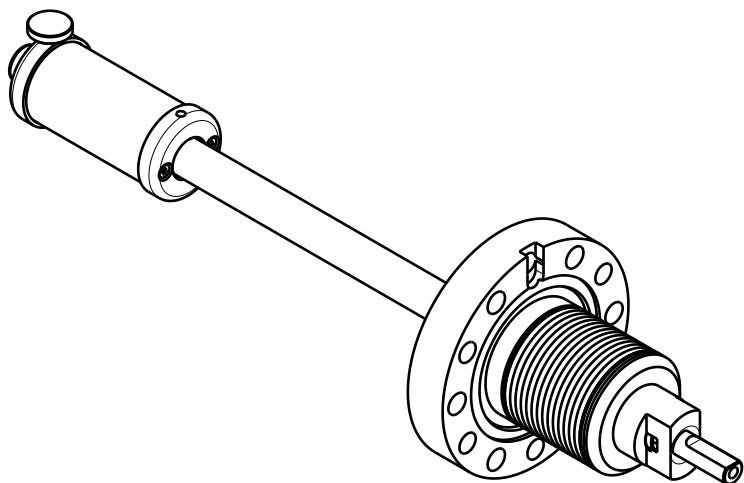
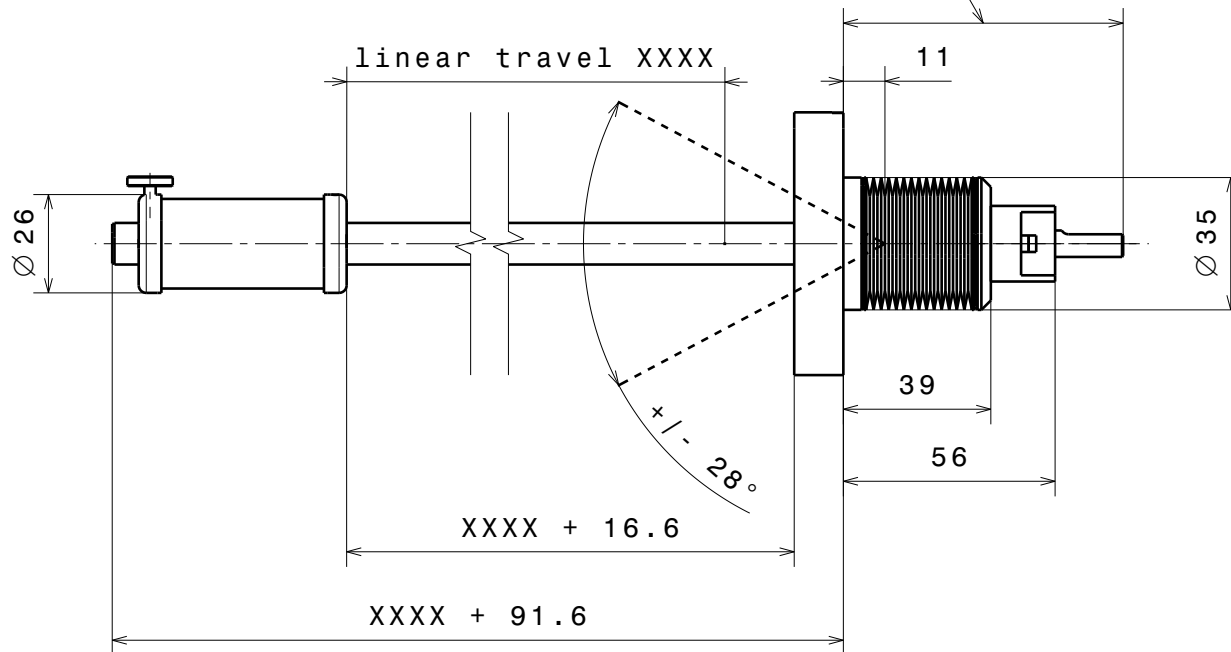
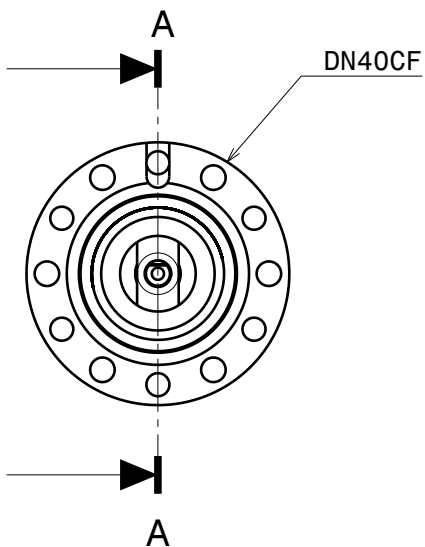
general tolerances ISO 2768-K

angular deflection +/-20 degrees (see note 1)
 linear force: 75N
 torque: 1Nm
 bakeout temperature: 150deg C max.
 pressure range 1E-11mbar to 1000mbar
 fully UHV compatible materials

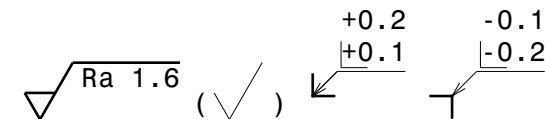
note 1: if mounted to wobblestick flange

Material: all UHV compatible		nominal	over	1	6	30	100	300	1000
Wobblestick manipulator with high torque magnet		dimension up to		6	30	100	300	1000	2000
WM		tolerance \pm		0.05	0.1	0.3	0.5	0.8	1.2
		Scale	Drawn	Denys Sutter					
		1:2 (2:1)	Date	07.04.2011					
			changed	28.04.15 vG					
Ferrovac GmbH		THE INFORMATION CONTAINED IN THIS DRAWING IS THE SOLE PROPERTY OF FERROVAC GMBH. ANY REPRODUCTION IN PART OR AS WHOLE WITHOUT OUR PERMISSION IS PROHIBITED.							
CH-8050 Zurich		Rev.	C						
		WM40HT-XXXX-			YYYY				

YYYY (standard 74mm; minimum 56mm)



A-A (2:1)



Allgemeintoleranzen ISO 2768-K

Material: fully UHV compatible materials	Nennmass	über	1	6	30	100	300	1000
		bis	6	30	100	300	1000	2000
WMWA40-XXXX-YYYY	Toleranz	±	0.05	0.1	0.3	0.5	0.8	1.2
Wobblestick Manipulator Wide Angle	Masstab	gezeichnet	Denys Sutter					
		Datum	03.02.2010					
		geändert	01.06.2015OA					
Ferrovac GmbH CH-8050 Zürich	1:2		WMWA40-XXXX-YYYY					