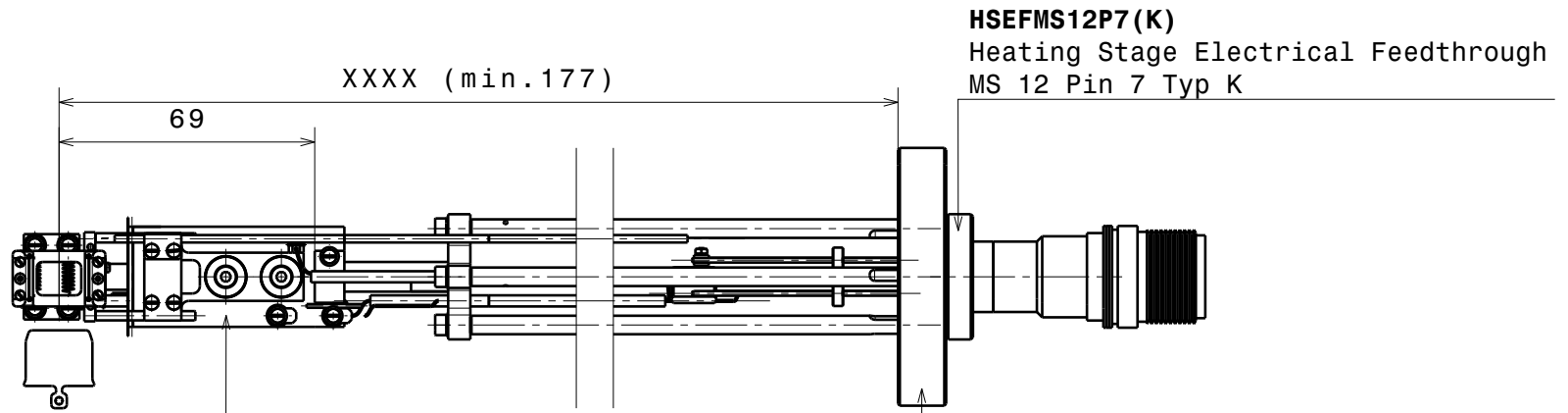


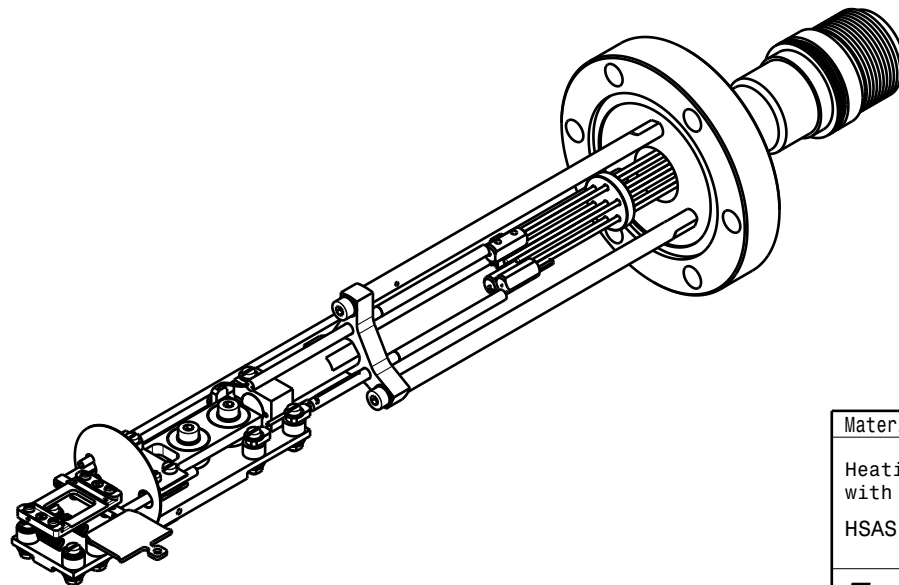
# HSAS40-YYYY-HSEBOM(P)-HSEFMS12P7(K)



**HSEBOM(P)**  
 Heating Stage E-Beam for SHOM  
 (sample surface parallel to flange,  
 access from left & right side)

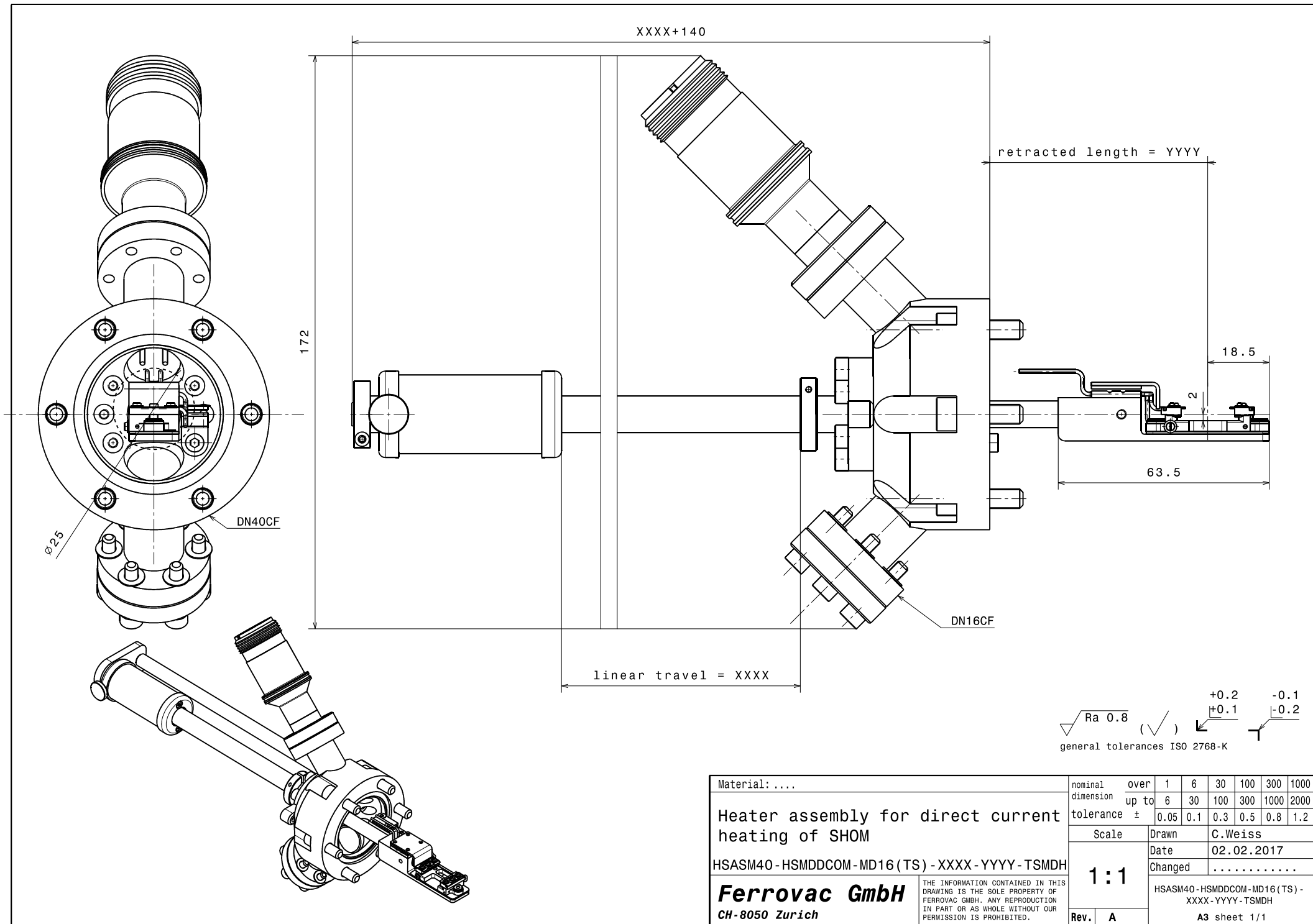
**HSEFMS12P7(K)**  
 Heating Stage Electrical Feedthrough  
 MS 12 Pin 7 Typ K

**HSAS40**  
 Heating Stage Assembly DN40CF



$\sqrt{Ra\ 1.6}$  (✓)  $\swarrow$   $\begin{matrix} +0.2 \\ +0.1 \end{matrix}$   $\searrow$   $\begin{matrix} -0.1 \\ -0.2 \end{matrix}$   
 general tolerances ISO 2768-K

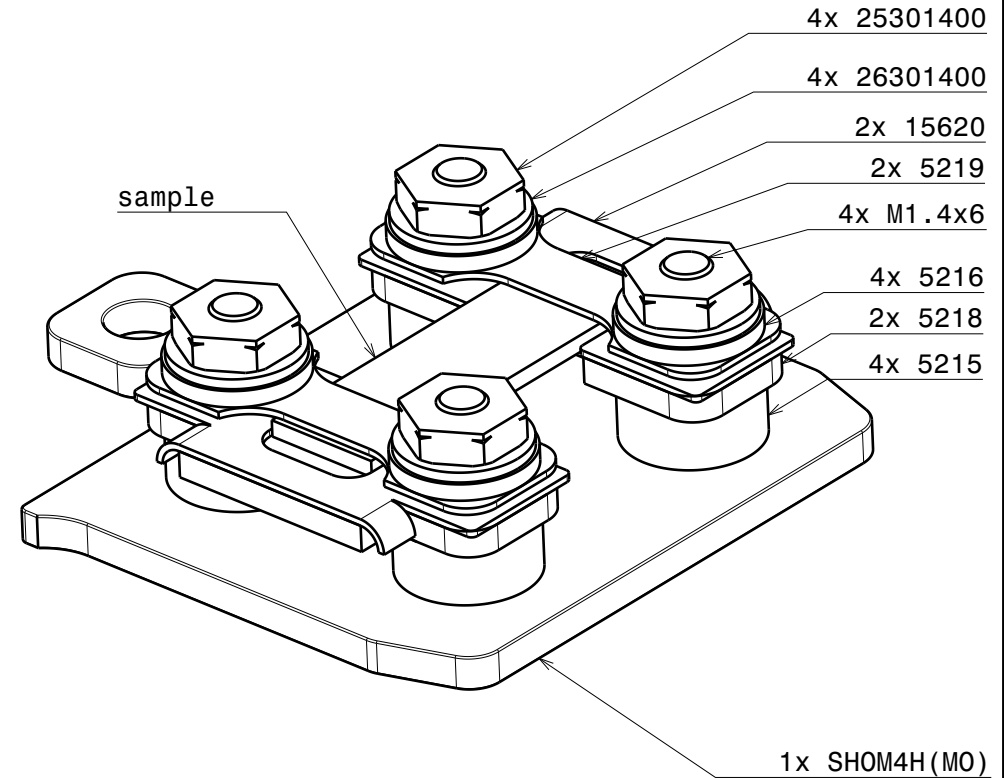
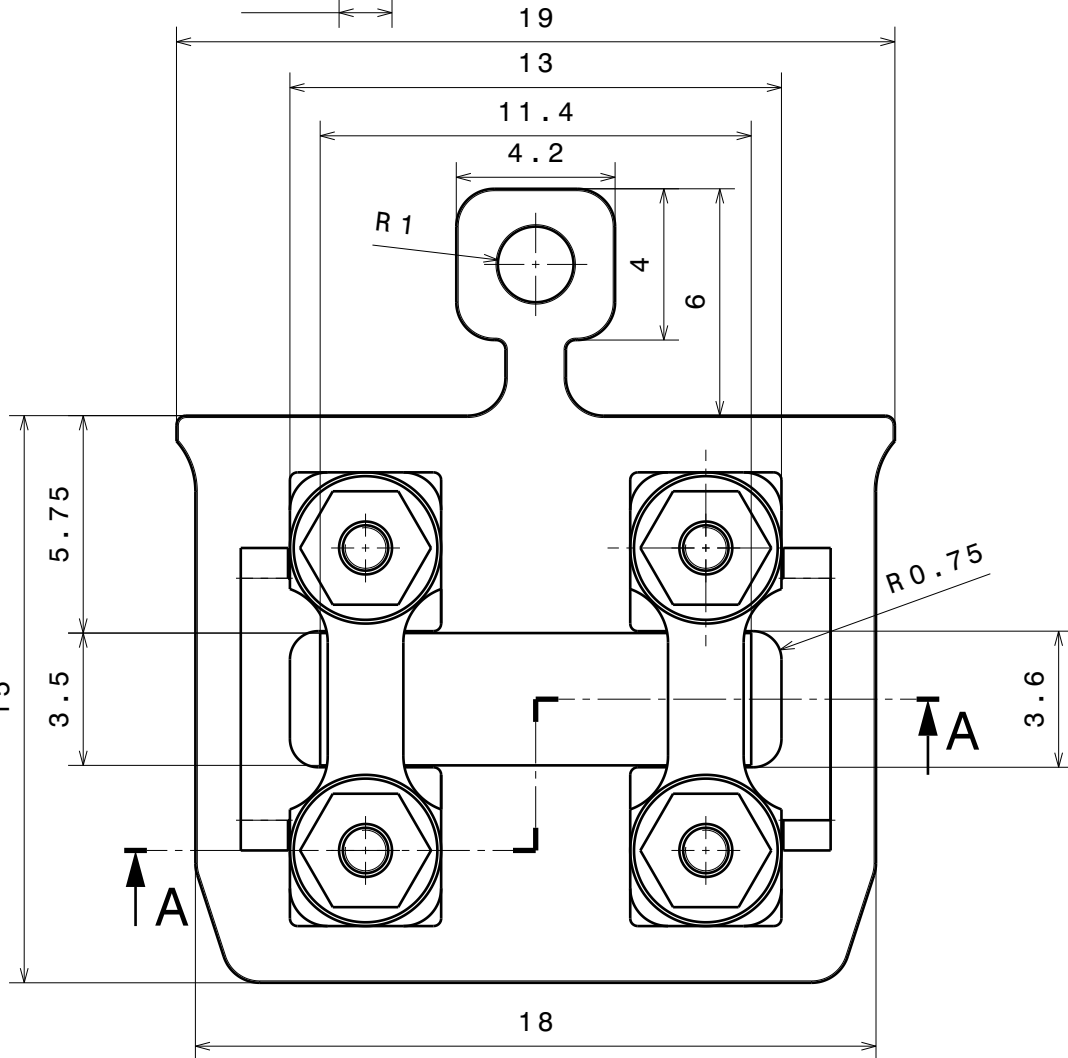
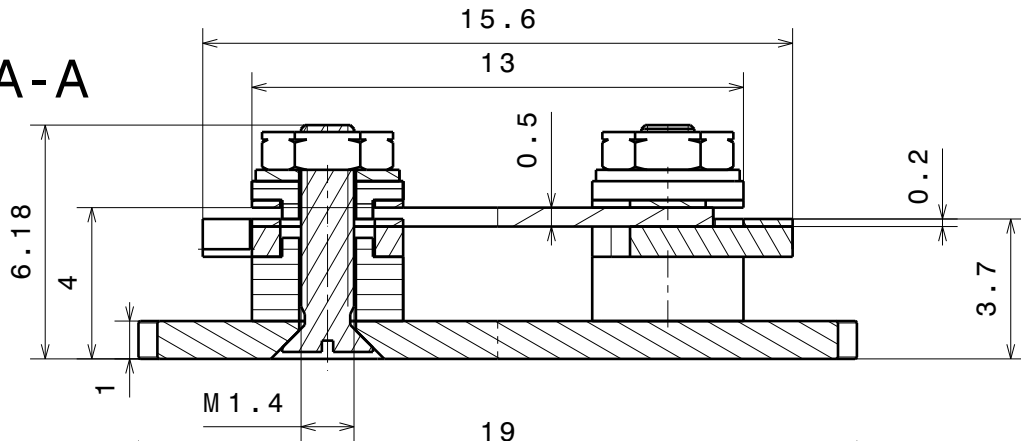
Material: .....	nominal over	1	6	30	100	300	1000
Heating Stage Assembly DN40CF E-Beam for SHOM with Electrical Feedthrough MS 12 Pin 7 Typ K HSAS	dimension up to	6	30	100	300	1000	2000
	tolerance $\pm$	0.05	0.1	0.3	0.5	0.8	1.2
Scale	Drawn	von Gunten					
	Checked	13.02.17 CW					
<b>Ferrovac GmbH</b> CH-8050 Zurich	1:2	THE INFORMATION CONTAINED IN THIS DRAWING IS THE SOLE PROPERTY OF FERROVAC GMBH. ANY REPRODUCTION IN PART OR AS WHOLE WITHOUT OUR PERMISSION IS PROHIBITED.					
		HSAS40-HSEBOM(P)-HSEFMS12P7(K) sheet 1/1					



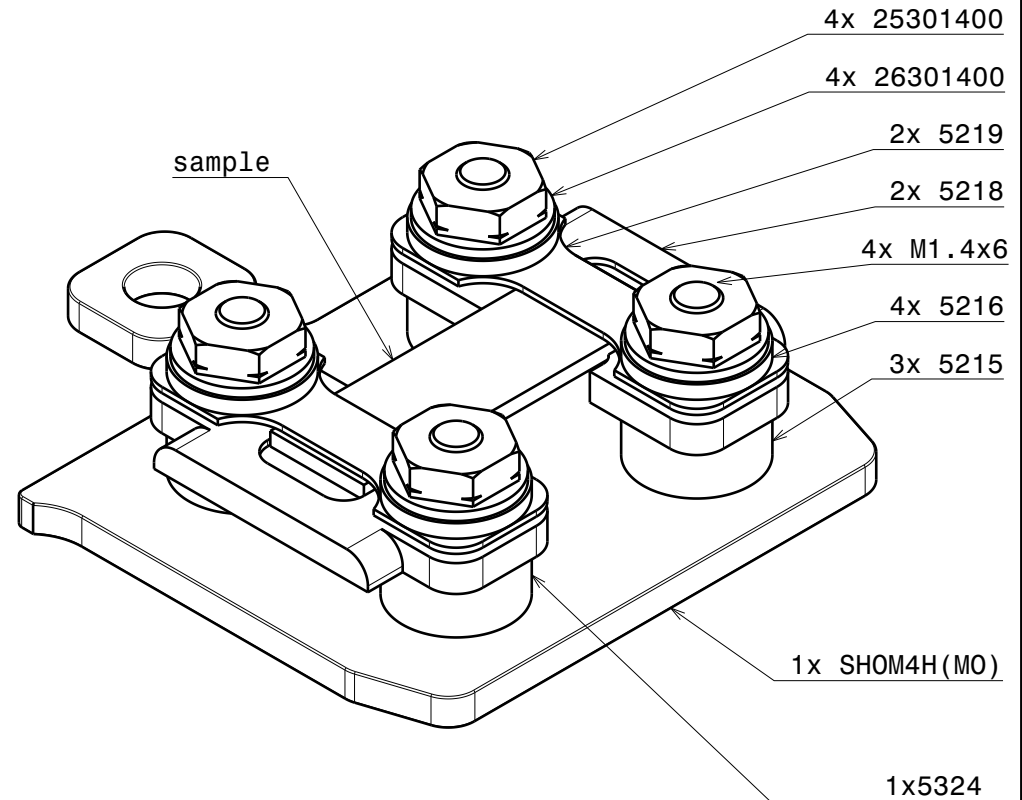
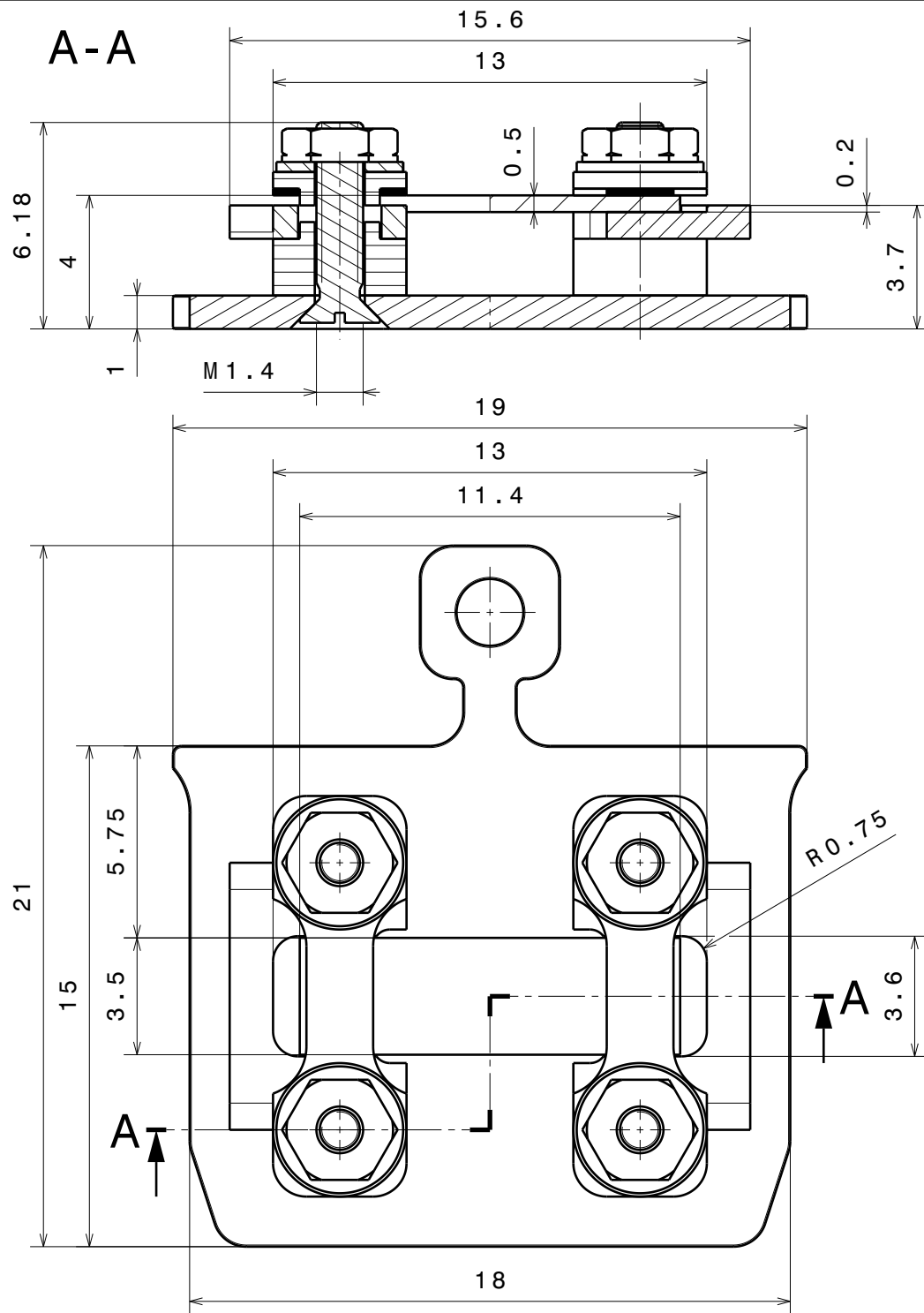
$\sqrt{Ra\ 0.8}$  (✓)  $\begin{matrix} +0.2 \\ +0.1 \\ -0.1 \\ -0.2 \end{matrix}$   
 general tolerances ISO 2768-K

Material: ....	nominal dimension	over up to	1	6	30	100	300	1000
Heater assembly for direct current heating of SHOM	tolerance ±		0.05	0.1	0.3	0.5	0.8	1.2
Scale	Drawn	C.Weiss						
1:1	Date	02.02.2017						
Changed	.....							
<b>Ferrovac GmbH</b> CH-8050 Zurich	THE INFORMATION CONTAINED IN THIS DRAWING IS THE SOLE PROPERTY OF FERROVAC GMBH. ANY REPRODUCTION IN PART OR AS WHOLE WITHOUT OUR PERMISSION IS PROHIBITED.							
Rev. A	HSASM40-HSMDDCOM-MD16(TS)-XXXX-YYYY-TSMDH A3 sheet 1/1							

A-A

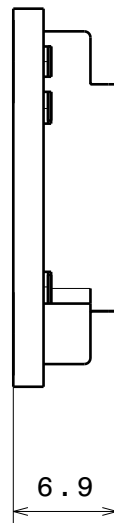
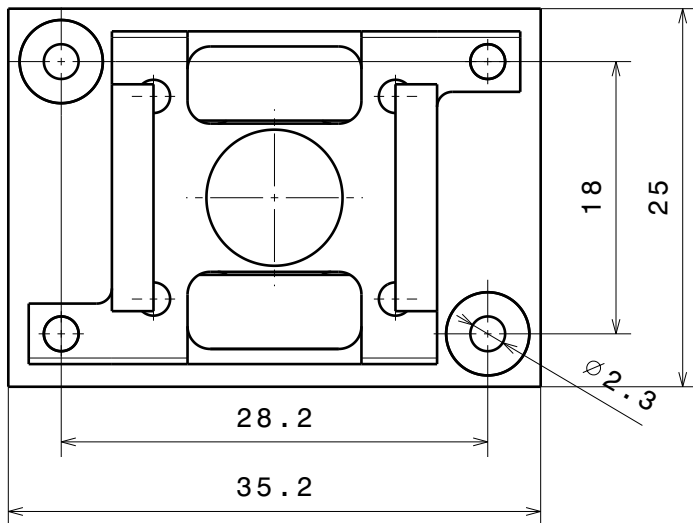
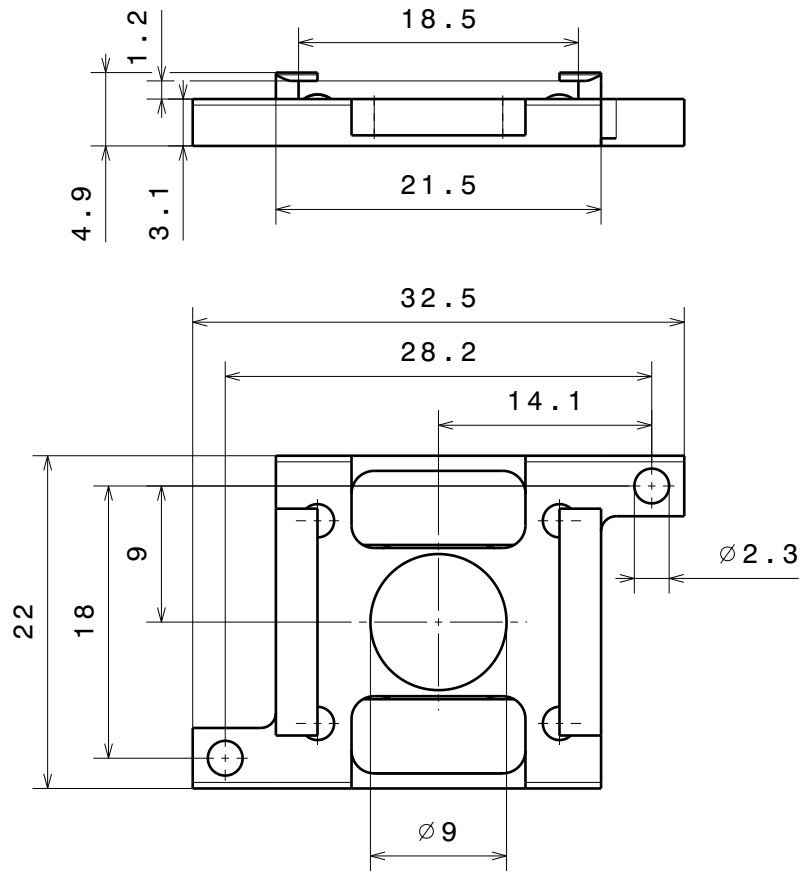


Material: Molybdenum, Al <sub>2</sub> O <sub>3</sub>	nominal	over	1	6	30	100	300	1000
Sample holder for DC-heating	dimension up to		6	30	100	300	1000	2000
	tolerance ±		0.05	0.1	0.3	0.5	0.8	1.2
	Scale	Drawn	0. Adlung					
		Date	23.05.2012					
		changed	7.5.15 OA					
<b>Ferrovac GmbH</b>	THE INFORMATION CONTAINED IN THIS DRAWING IS THE SOLE PROPERTY OF FERROVAC GMBH. ANY REPRODUCTION IN PART OR AS WHOLE WITHOUT OUR PERMISSION IS PROHIBITED.		<b>5:1</b>		<b>SHOMDC</b>			
CH-8050 Zurich	Rev. D				sheet 1/1			

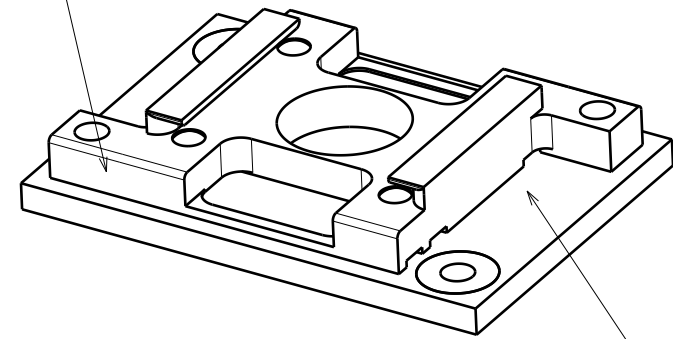


Material: Molybdenum, Al <sub>2</sub> O <sub>3</sub>	nominal dimension up to	1	6	30	100	300	1000
Sample holder for DC-heating	tolerance ±	0.05	0.1	0.3	0.5	0.8	1.2
	Scale	Drawn Brunner					
5:1	Date	10.04.2015					
	changed	....					
Ferrovac GmbH CH-8050 Zurich	THE INFORMATION CONTAINED IN THIS DRAWING IS THE SOLE PROPERTY OF FERROVAC GMBH. ANY REPRODUCTION IN PART OR AS WHOLE WITHOUT OUR PERMISSION IS PROHIBITED.	SHOMDC (N)					
	Rev. A	sheet 1/1					

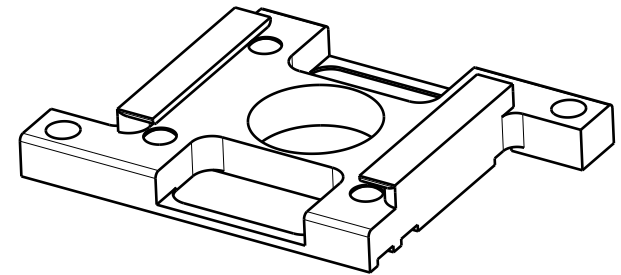




RECOMHTR1001S

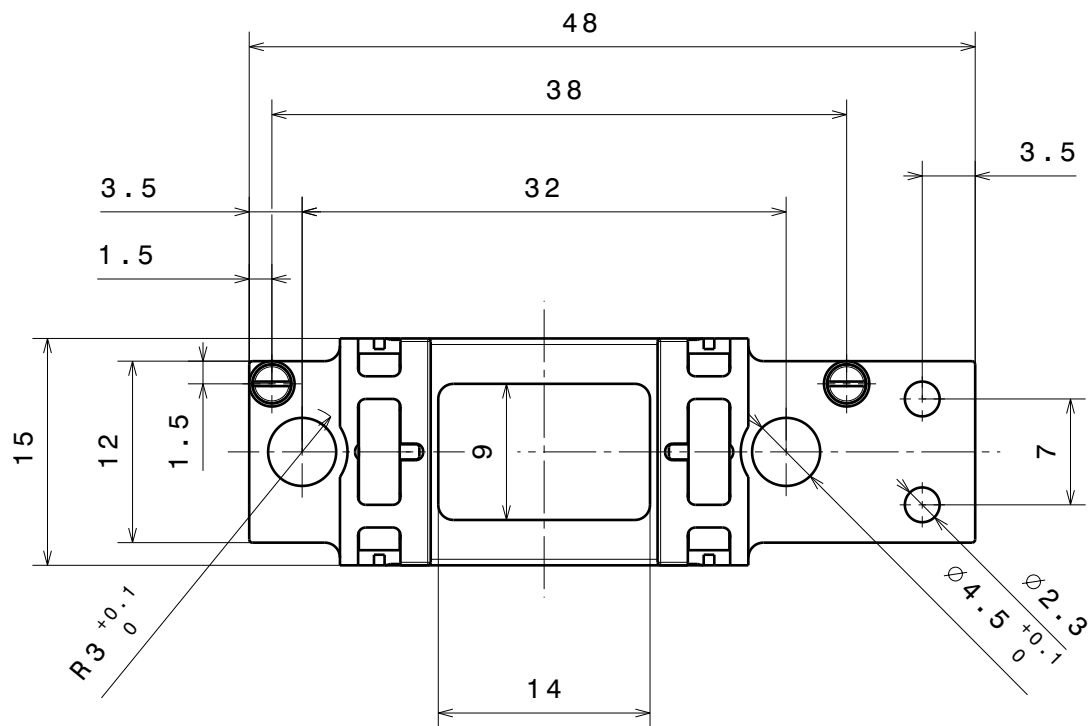
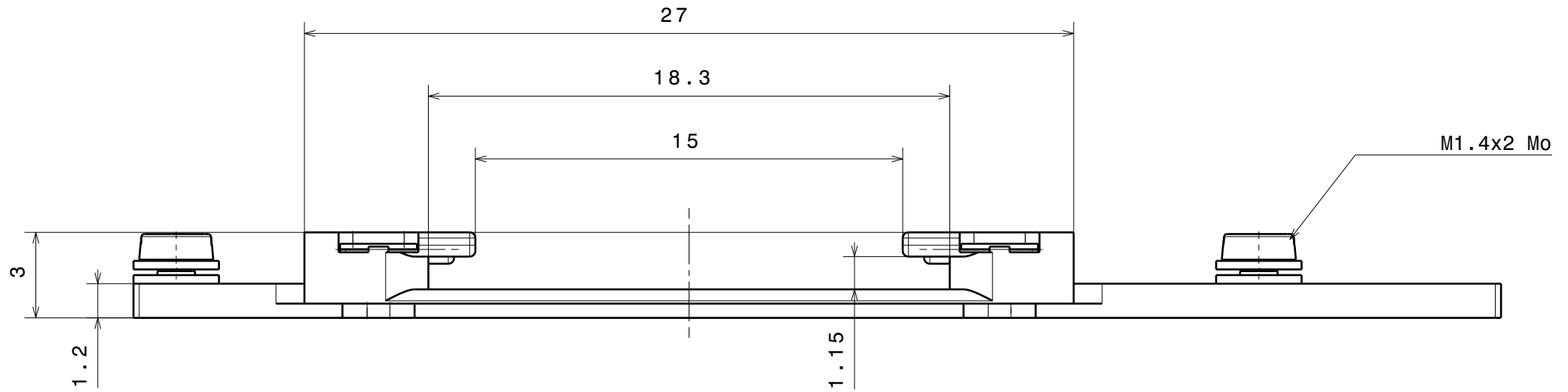


Boralectric resistive heating element not included



$\sqrt{\text{Ra } 0.8}$  (✓)  $\begin{matrix} +0.2 \\ +0.1 \end{matrix}$   $\begin{matrix} -0.1 \\ -0.2 \end{matrix}$   
 general tolerances ISO 2768-K

Material: fully UHV compatible		nominal	over	1	6	30	100	300	1000
Receptacle for SHOM sample plates		dimension up to		6	30	100	300	1000	2000
RECOMHTR1001S		tolerance $\pm$		0.05	0.1	0.3	0.5	0.8	1.2
		Scale	Drawn	D.Rechsteiner					
		1:2	Date	07.03.2014					
			changed	.....					
<b>Ferrovac GmbH</b>		THE INFORMATION CONTAINED IN THIS DRAWING IS THE SOLE PROPERTY OF FERROVAC GMBH. ANY REPRODUCTION IN PART OR AS WHOLE WITHOUT OUR PERMISSION IS PROHIBITED.		RECOMHTR1001S					
CH-8050 Zurich		Rev.	A	sheet 1/1					



Ra 1.6

+0.2  
+0.1  
-0.1  
-0.2

general tolerances ISO 2768-K

Material: Molybdenum	nominal over	1	6	30	100	300	1000
Receptor for Omicron Plates on VG-Scienta E-Beam Heater	dimension up to	6	30	100	300	1000	2000
	tolerance ±	0.05	0.1	0.3	0.5	0.8	1.2
<b>Ferrovac GmbH</b> CH-8050 Zurich	Scale	Drawn	U. Maier				
	5:1 (2:1)	Date	24.11.2010				
		Revised	3.12.10 UM				
THE INFORMATION CONTAINED IN THIS DRAWING IS THE SOLE PROPERTY OF FERROVAC GMBH. ANY REPRODUCTION IN PART OR AS WHOLE WITHOUT OUR PERMISSION IS PROHIBITED.	<b>RECOMZEBH</b>		sheet 1/1				