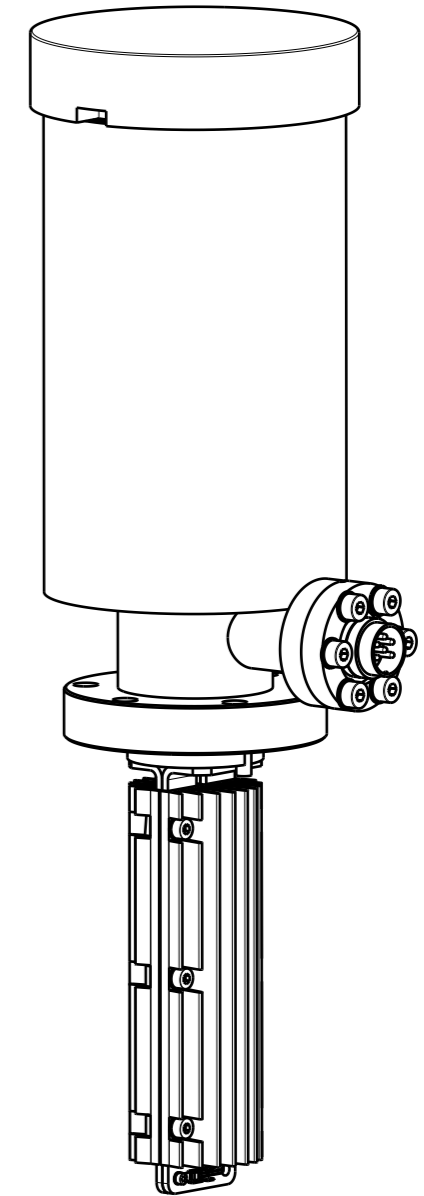
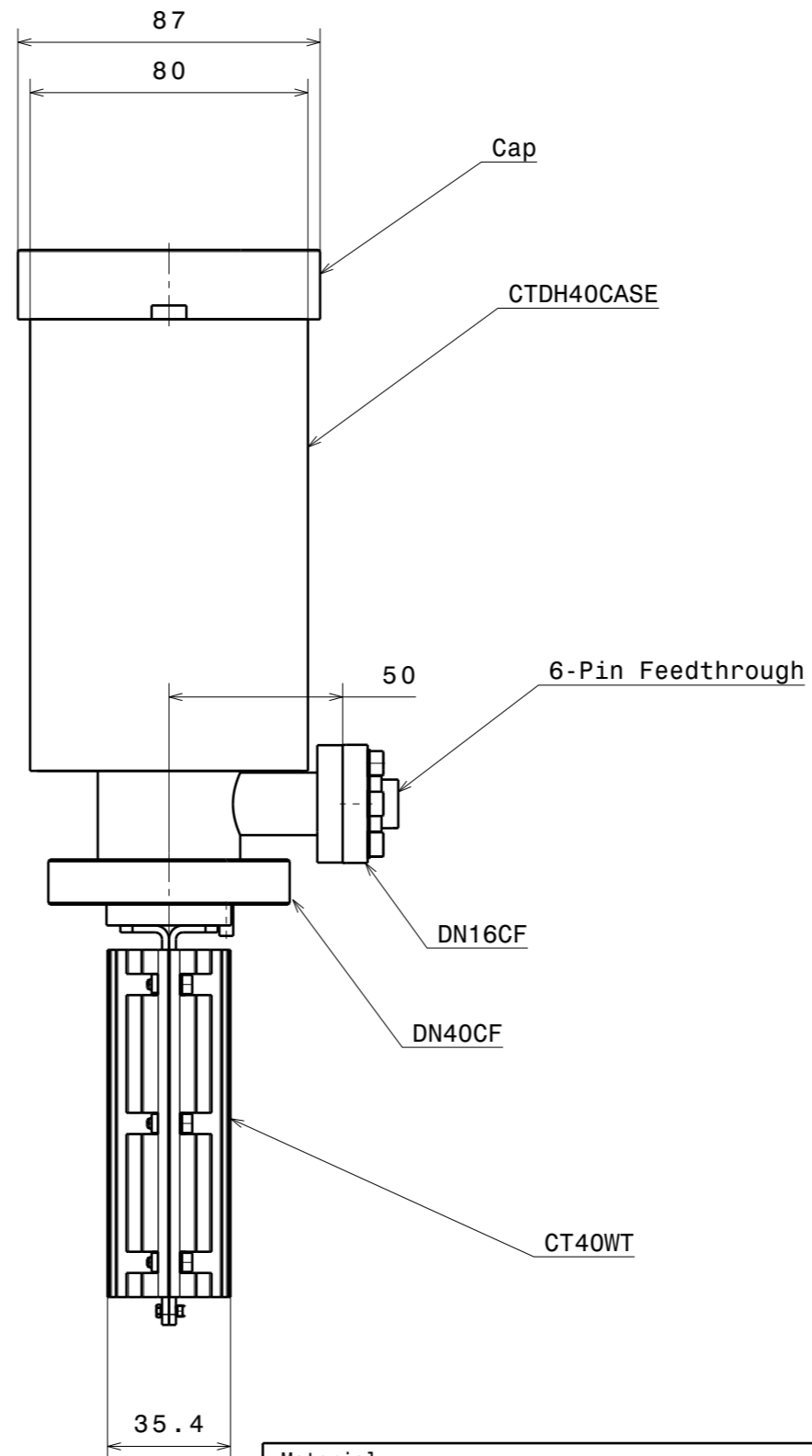
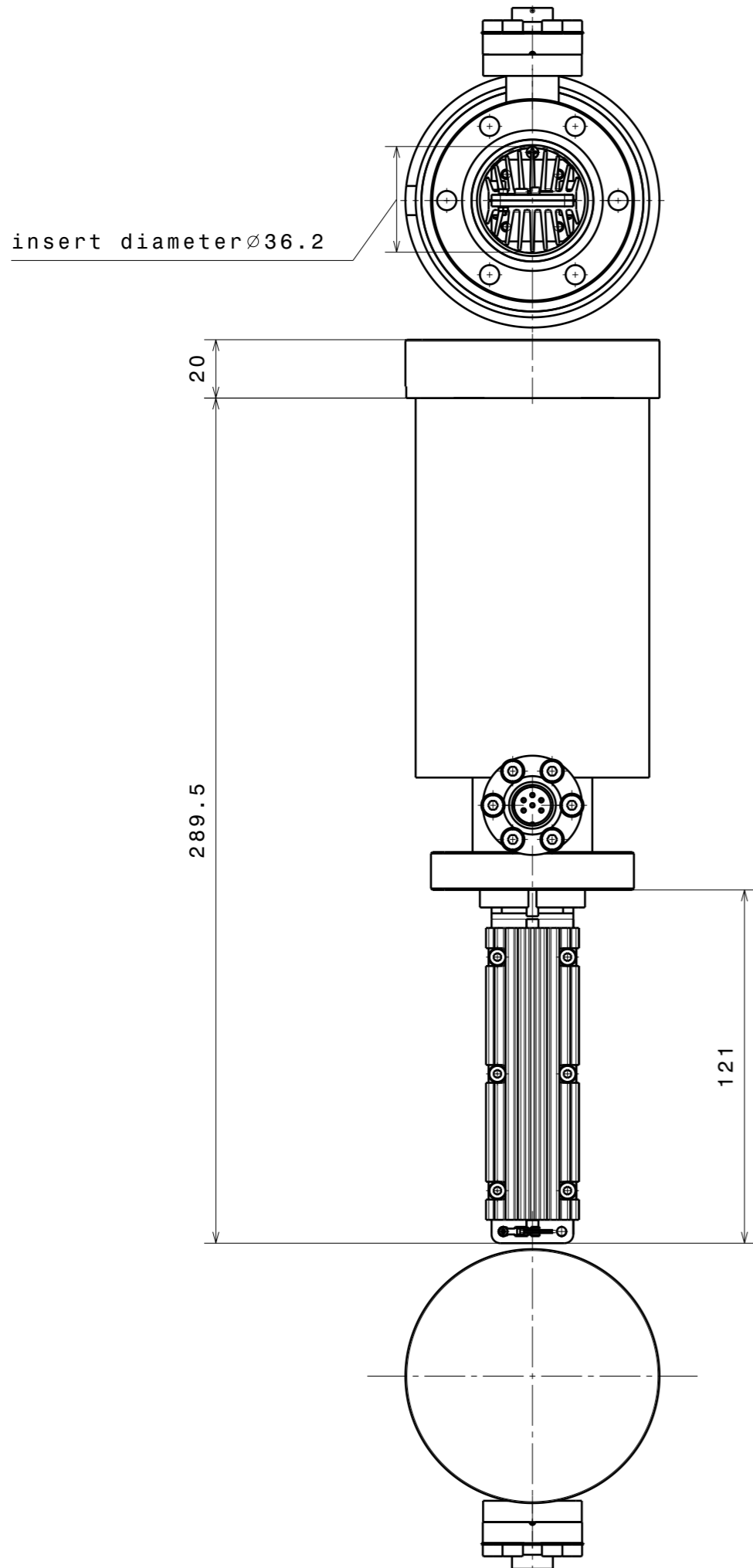


Material: fully UHV compatible		nominal dimension	over up to	1	6	30	100	300	1000
		tolerance	±	0.05	0.1	0.3	0.5	0.8	1.2
Transfer chamber for NexGeneration UHV-Suitcase with LN2 cryo trap		Scale	Drawn	0. Adlung					
			Date	11.02.2016					
Ferrovac GmbH CH-8050 Zurich		1:5	Changed	23.02.2016 vG					
					VSCT40				
Rev.	E			A3 sheet 1/1					

THE INFORMATION CONTAINED IN THIS DRAWING IS THE SOLE PROPERTY OF FERROVAC GMBH. ANY REPRODUCTION IN PART OR AS WHOLE WITHOUT OUR PERMISSION IS PROHIBITED.



$\sqrt{\text{Ra 0.8}}$ (✓) $\begin{matrix} +0.2 \\ +0.1 \\ -0.1 \\ -0.2 \end{matrix}$
 general tolerances ISO 2768-K

Material:	nominal dimension	over up to	1	6	30	100	300	1000
Cooldown Booster with Dewar and Heat Up Setup	tolerance \pm		6	30	100	300	1000	2000
			0.05	0.1	0.3	0.5	0.8	1.2
CTDH40 (WT)	Scale	Drawn	P. Ganz					
		Date	08.01.2017					
		Changed					
Ferrovac GmbH	1:2	CTDH40 (WT)						
CH-8050 Zurich								
THE INFORMATION CONTAINED IN THIS DRAWING IS THE SOLE PROPERTY OF FERROVAC GMBH. ANY REPRODUCTION IN PART OR AS WHOLE WITHOUT OUR PERMISSION IS PROHIBITED.	Rev.	A	A3 sheet 1/1					

トランスファーチャンバー+LN2フロー-UHVブースター

製品コード : VSCT40+CTH40(WT)

VSCT40-トランスファーチャンバー + LN2フロー-UHVブースター

