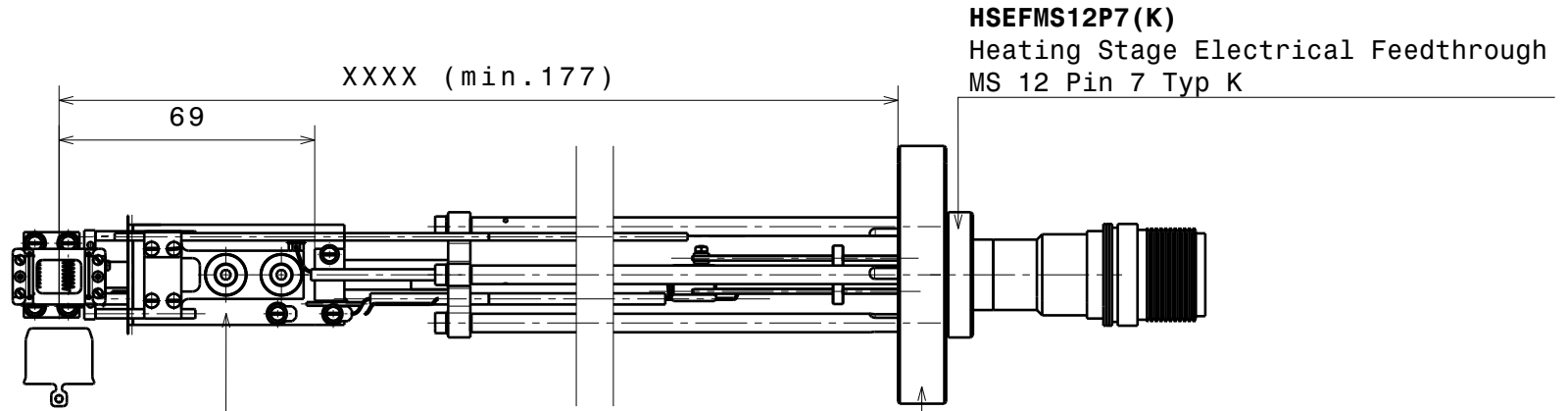


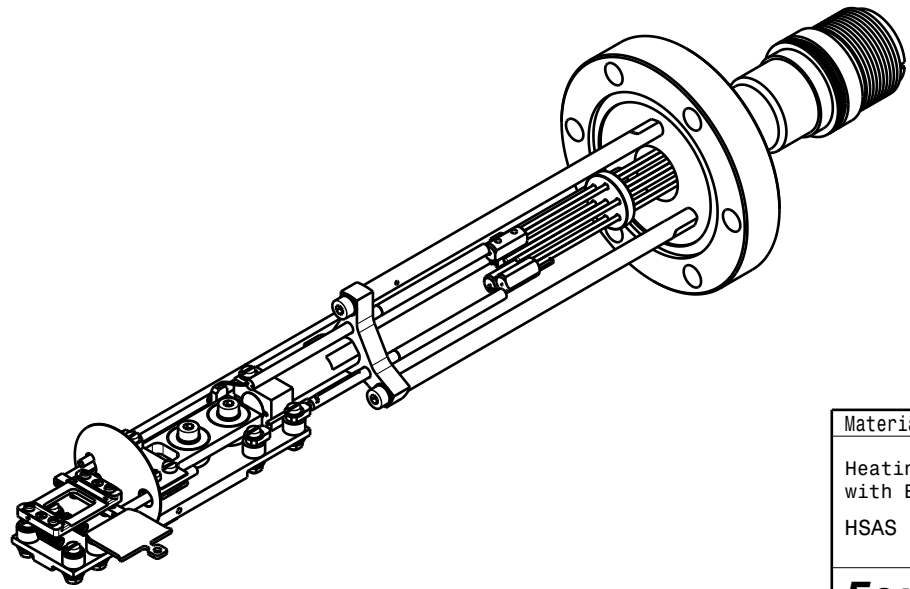
HSAS40-YYYY-HSEBOM(P)-HSEFMS12P7(K)



HSEBOM(P)
 Heating Stage E-Beam for SHOM
 (sample surface parallel to flange,
 access from left & right side)

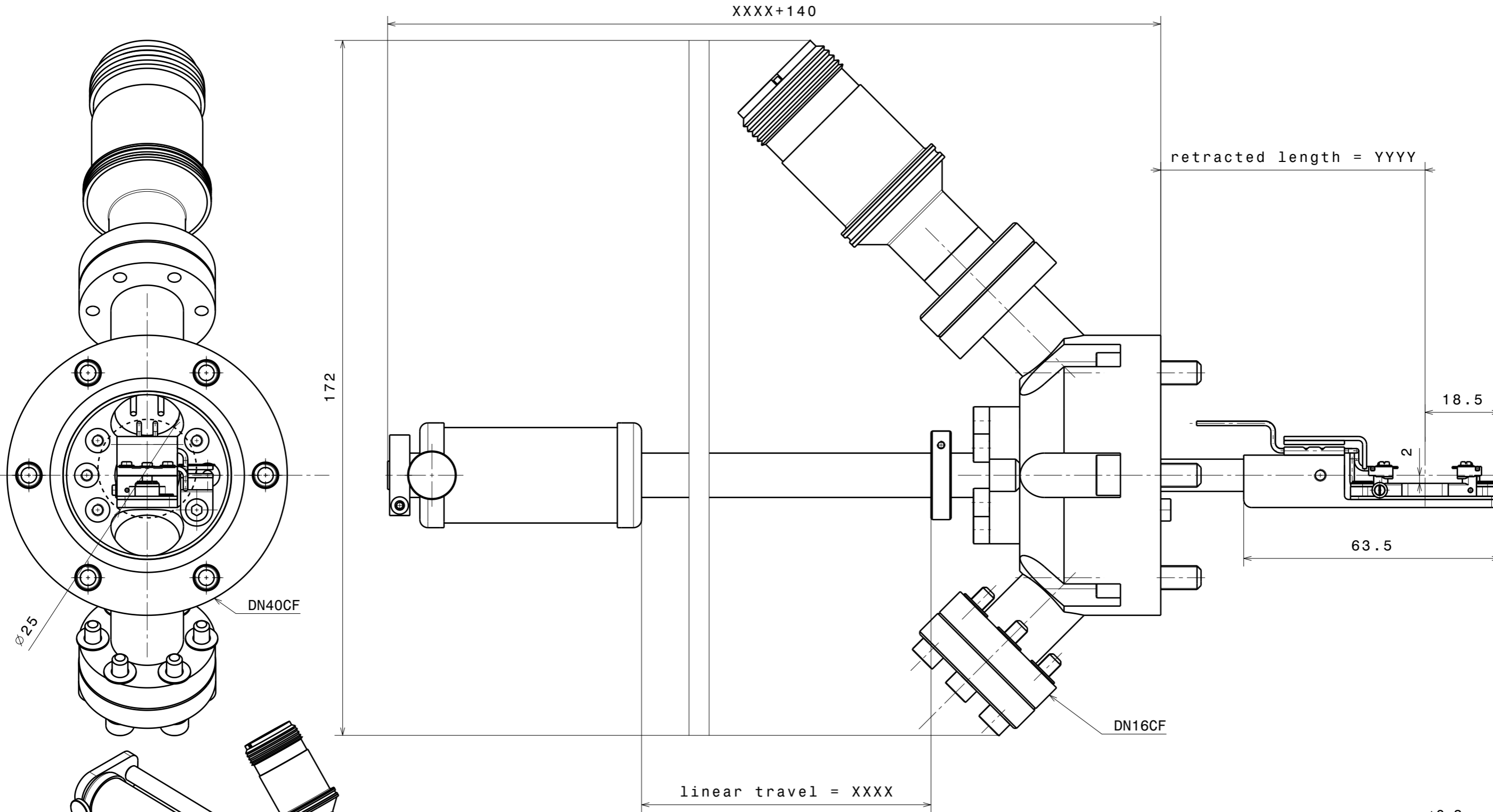
HSEFMS12P7(K)
 Heating Stage Electrical Feedthrough
 MS 12 Pin 7 Typ K

HSAS40
 Heating Stage Assembly DN40CF



$\sqrt{Ra\ 1.6}$ (✓) \swarrow $\begin{matrix} +0.2 \\ +0.1 \end{matrix}$ \searrow $\begin{matrix} -0.1 \\ -0.2 \end{matrix}$
 general tolerances ISO 2768-K

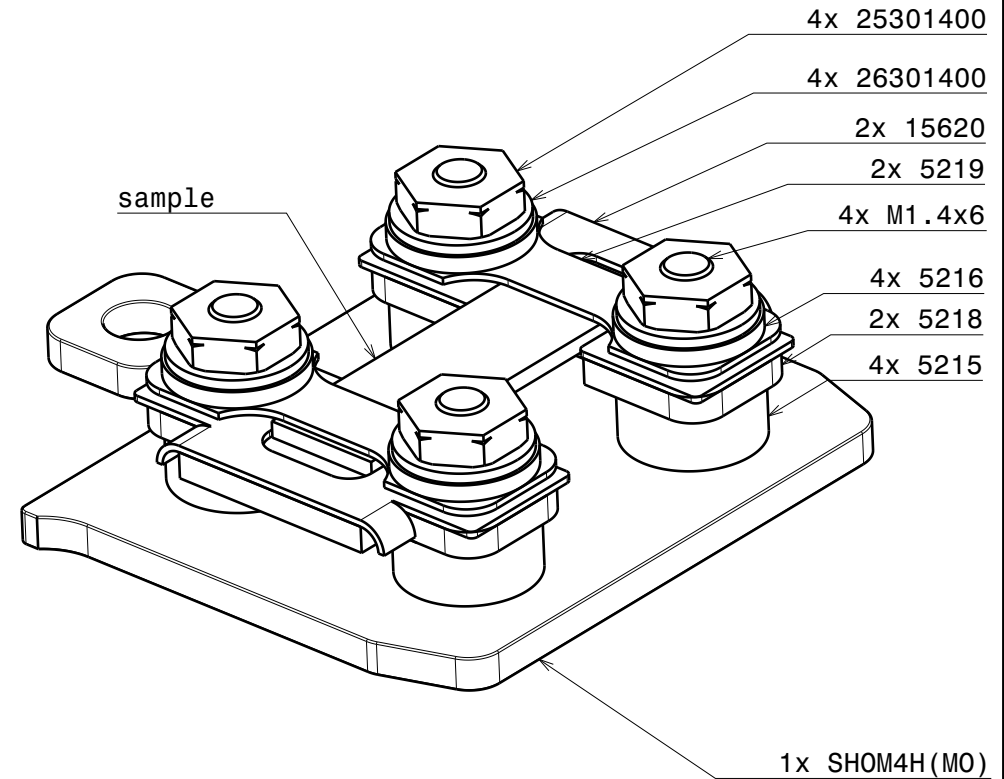
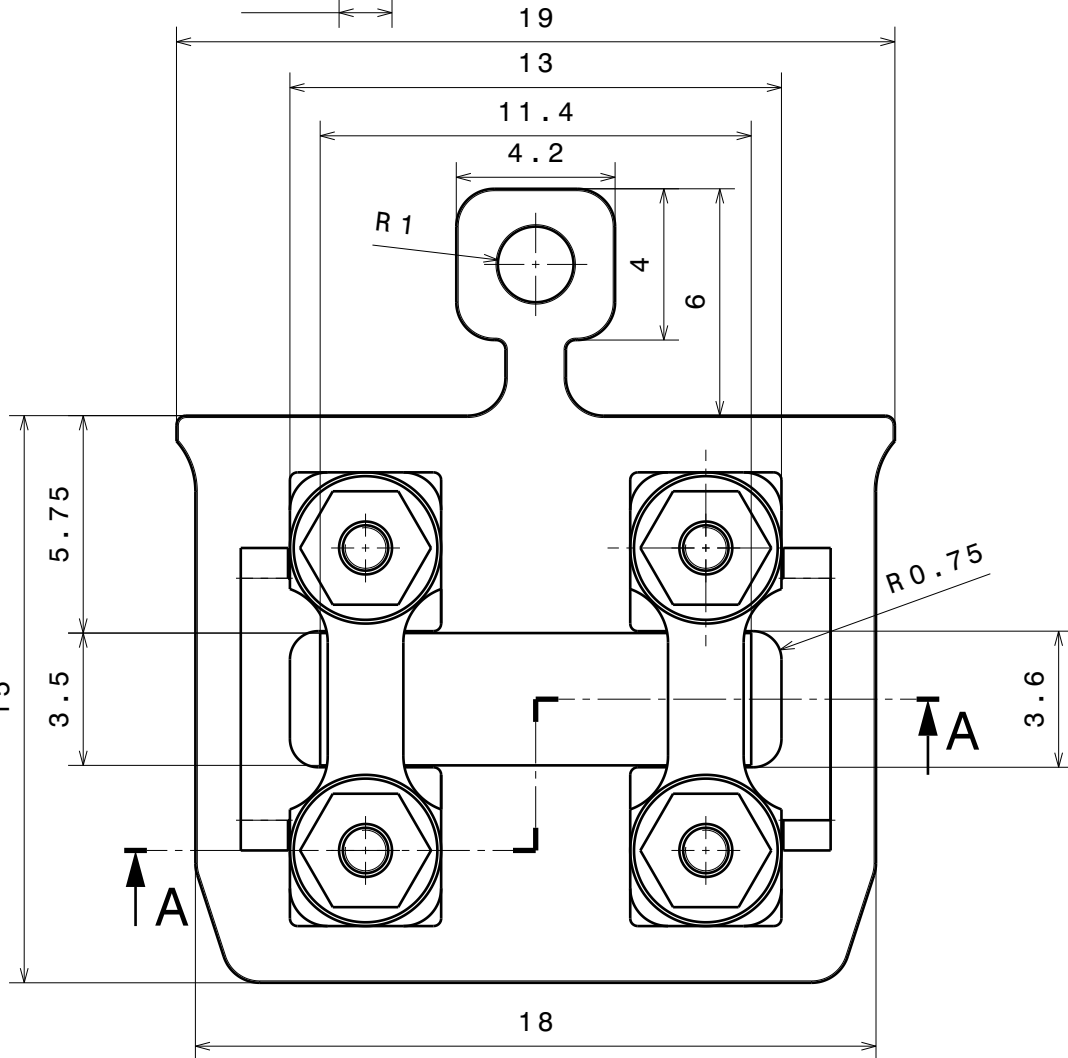
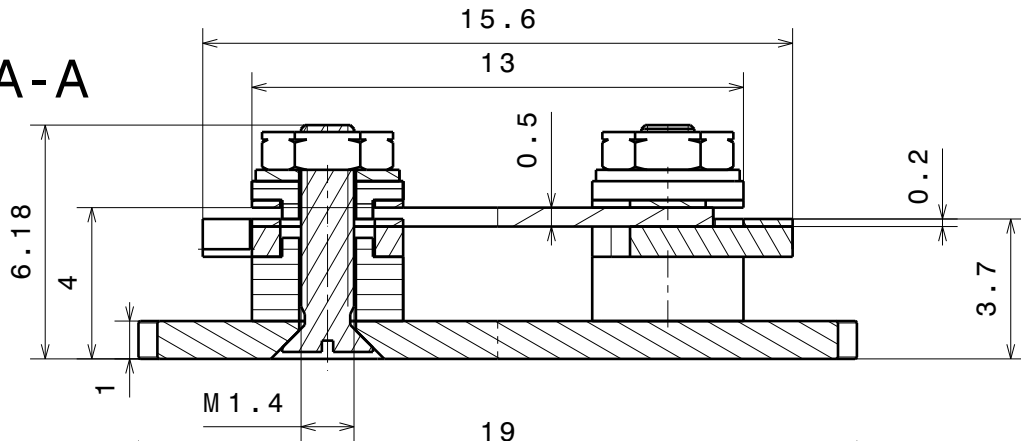
Material:	nominal over	1	6	30	100	300	1000
Heating Stage Assembly DN40CF E-Beam for SHOM with Electrical Feedthrough MS 12 Pin 7 Typ K HSAS	dimension up to	6	30	100	300	1000	2000
	tolerance \pm	0.05	0.1	0.3	0.5	0.8	1.2
Scale	Drawn	von Gunten					
	Checked	13.02.17 CW					
Ferrovac GmbH CH-8050 Zurich	1:2	THE INFORMATION CONTAINED IN THIS DRAWING IS THE SOLE PROPERTY OF FERROVAC GMBH. ANY REPRODUCTION IN PART OR AS WHOLE WITHOUT OUR PERMISSION IS PROHIBITED.					
		HSAS40-HSEBOM(P)-HSEFMS12P7(K) sheet 1/1					



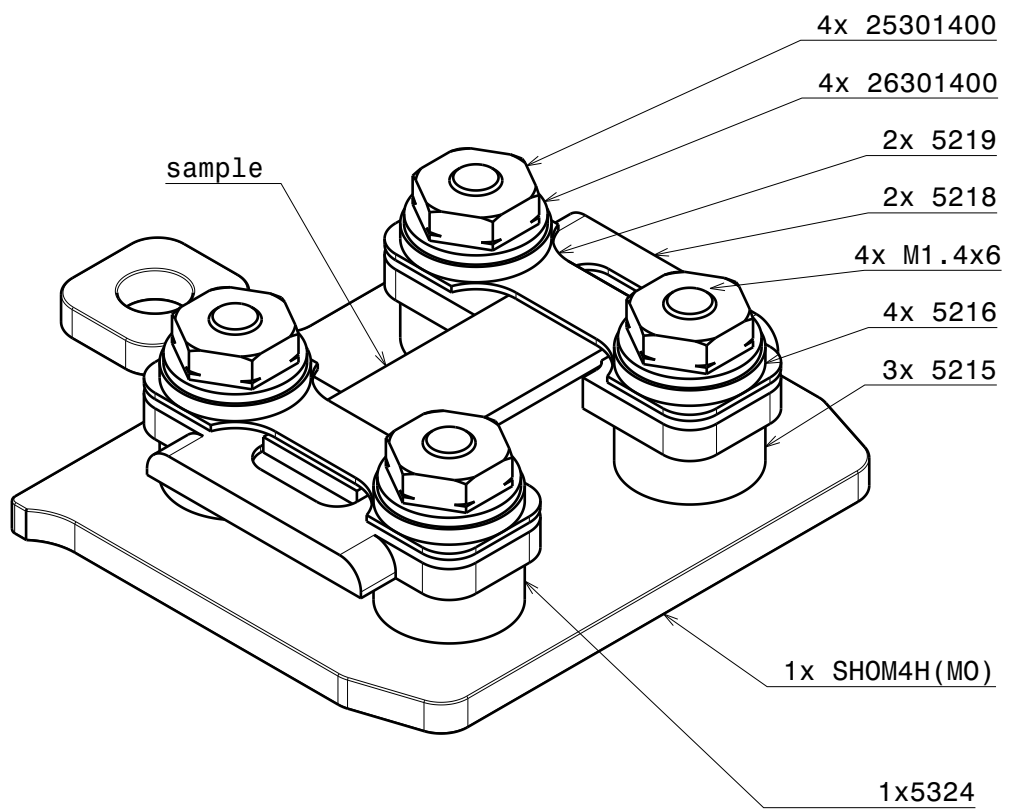
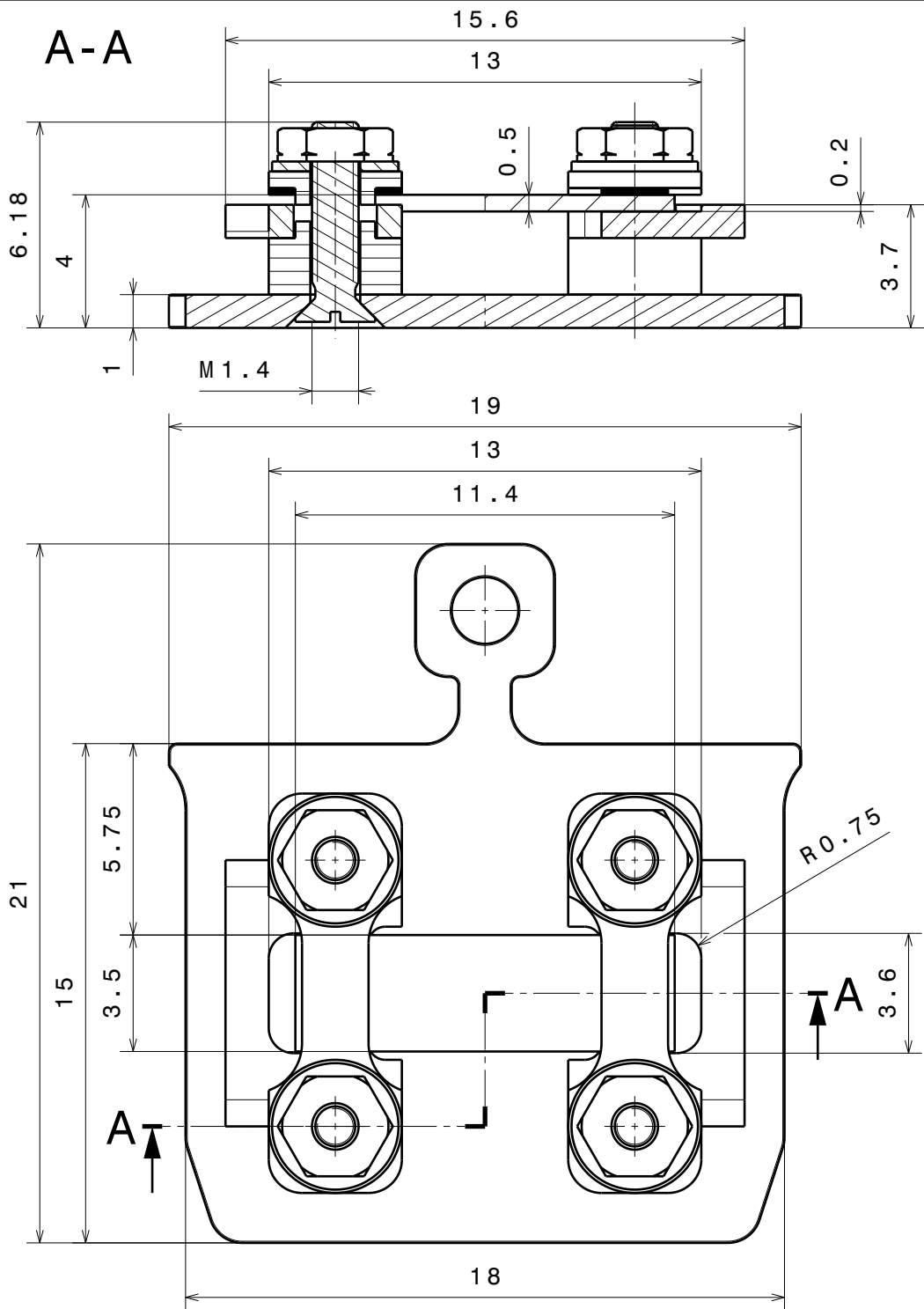
∇ Ra 0.8 (✓) ∇ $\begin{matrix} +0.2 \\ +0.1 \end{matrix}$ ∇ $\begin{matrix} -0.1 \\ -0.2 \end{matrix}$
 general tolerances ISO 2768-K

Material:	nominal dimension	over up to	1	6	30	100	300	1000
			6	30	100	300	1000	2000
Heater assembly for direct current heating of SHOM	tolerance ±		0.05	0.1	0.3	0.5	0.8	1.2
Scale	Drawn	C.Weiss						
	Date	02.02.2017						
1:1	Changed						
HSASM40-HSMDDCOM-MD16(TS)-XXXX-YYYY-TSMDH	THE INFORMATION CONTAINED IN THIS DRAWING IS THE SOLE PROPERTY OF FERROVAC GMBH. ANY REPRODUCTION IN PART OR AS WHOLE WITHOUT OUR PERMISSION IS PROHIBITED.							
Ferrovac GmbH	Rev.	A						
CH-8050 Zurich	HSASM40-HSMDDCOM-MD16(TS)-XXXX-YYYY-TSMDH A3 sheet 1/1							

A-A



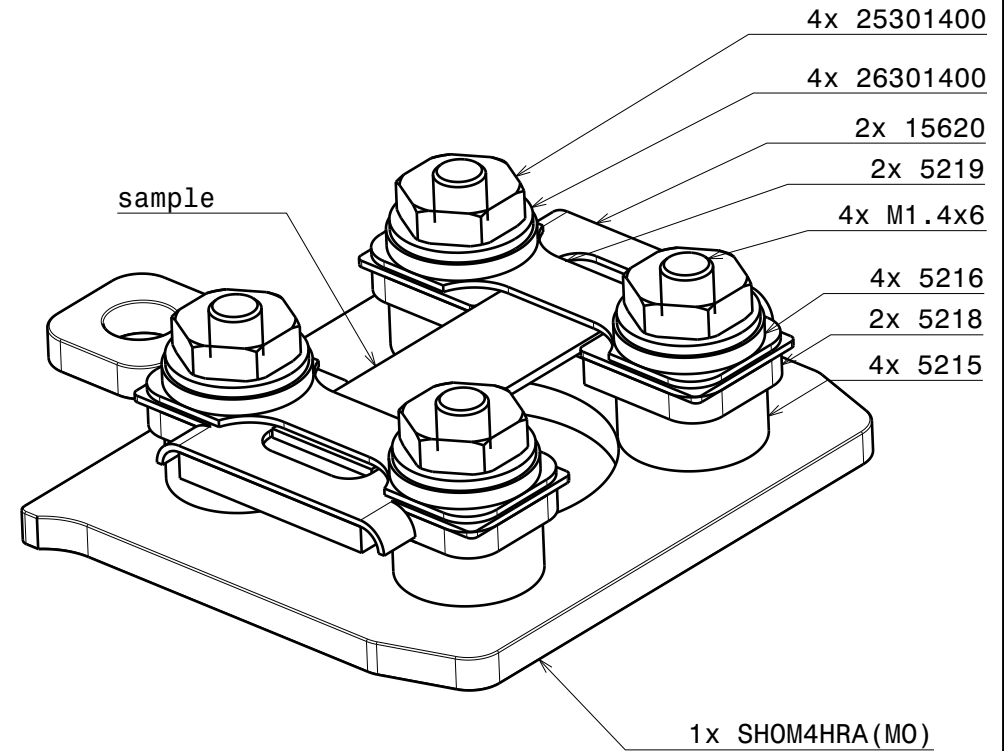
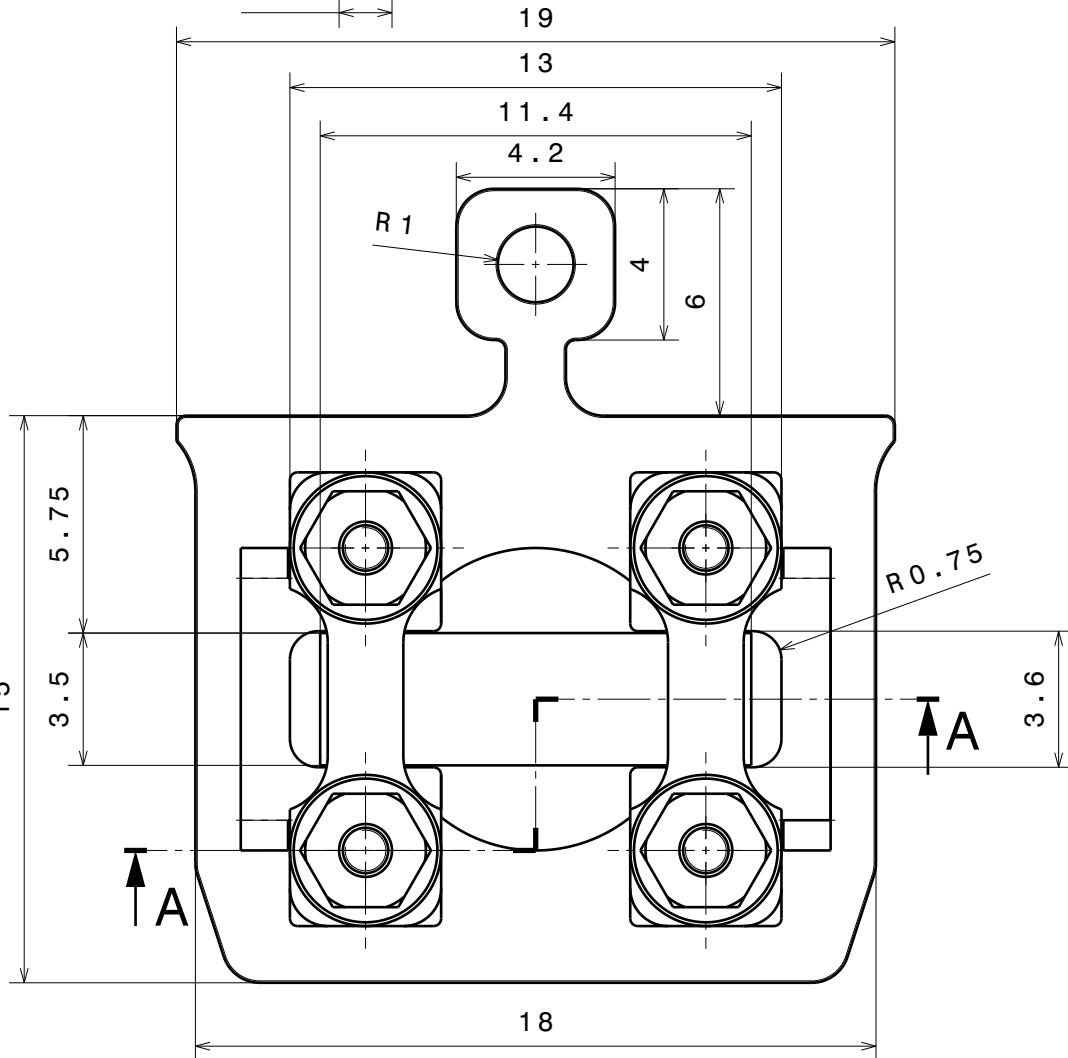
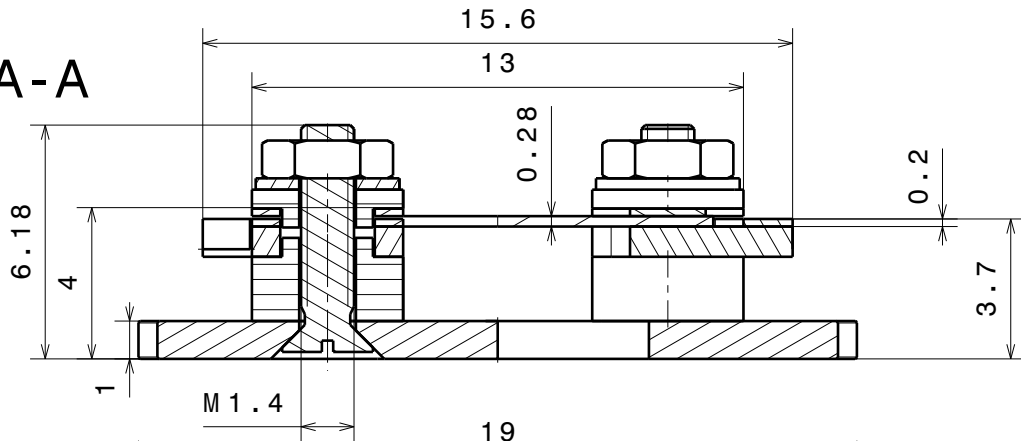
Material: Molybdenum, Al ₂ O ₃	nominal	over	1	6	30	100	300	1000
Sample holder for DC-heating	dimension up to		6	30	100	300	1000	2000
	tolerance ±		0.05	0.1	0.3	0.5	0.8	1.2
	Scale	Drawn	0. Adlung					
		Date	23.05.2012					
		changed	7.5.15 OA					
Ferrovac GmbH CH-8050 Zurich	THE INFORMATION CONTAINED IN THIS DRAWING IS THE SOLE PROPERTY OF FERROVAC GMBH. ANY REPRODUCTION IN PART OR AS WHOLE WITHOUT OUR PERMISSION IS PROHIBITED.	5:1	SHOMDC					
	Rev. D		sheet 1/1					



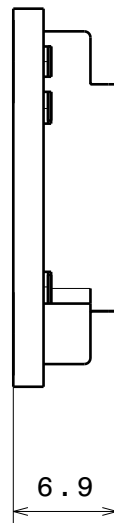
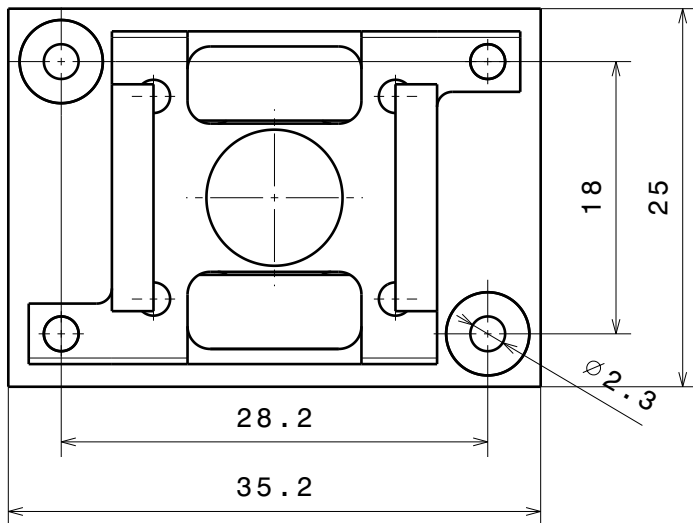
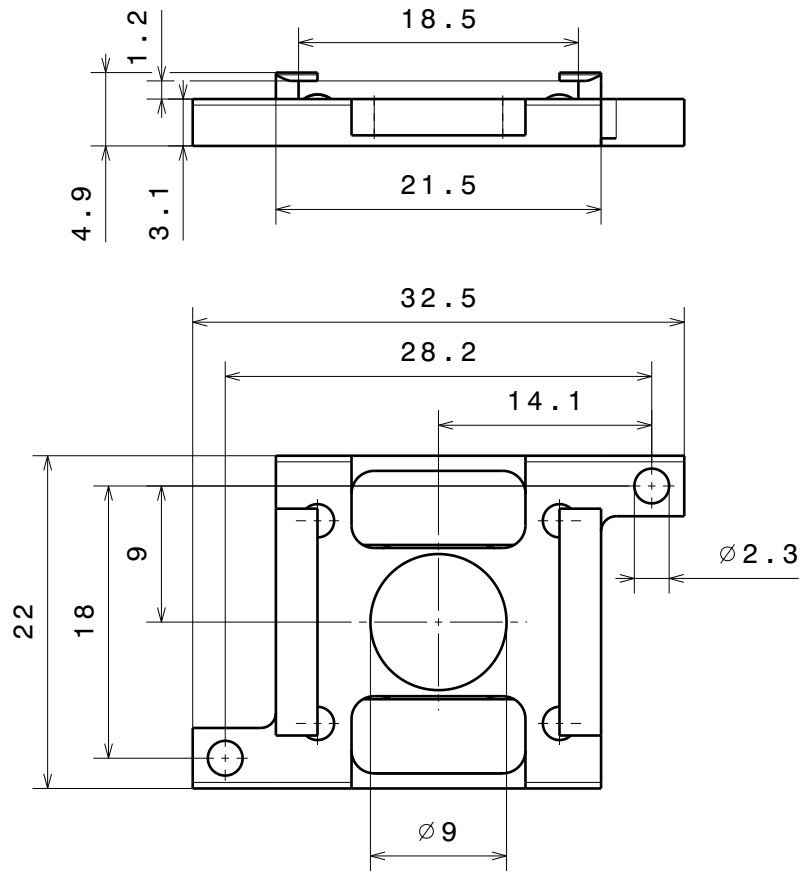
Material: Molybdenum, Al ₂ O ₃	nominal dimension up to	1	6	30	100	300	1000
Sample holder for DC-heating	tolerance ±	0.05	0.1	0.3	0.5	0.8	1.2
	Scale	Drawn Brunner					
Ferrovac GmbH CH-8050 Zurich	Date	10.04.2015					
	Rev. A	changed					
		5:1		SHOMDC(N)			
				sheet 1/1			

THE INFORMATION CONTAINED IN THIS DRAWING IS THE SOLE PROPERTY OF FERROVAC GMBH. ANY REPRODUCTION IN PART OR AS WHOLE WITHOUT OUR PERMISSION IS PROHIBITED.

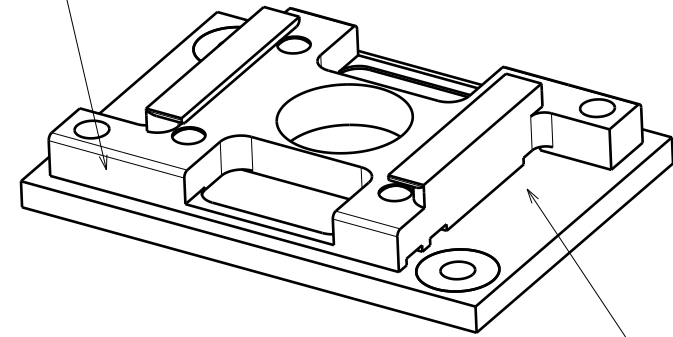
A-A



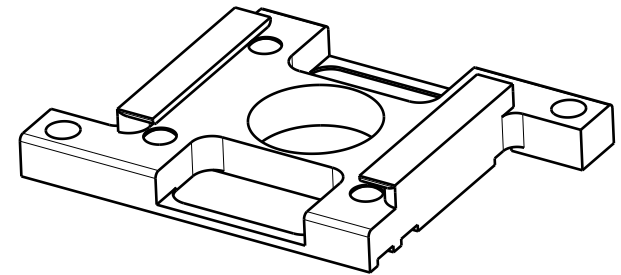
Material: Molybdenum, Al ₂ O ₃	nominal	over	1	6	30	100	300	1000
Sample Plate for Direct Current Heating with a central opening for optical access from the rear	dimension up to		6	30	100	300	1000	2000
	tolerance ±		0.05	0.1	0.3	0.5	0.8	1.2
	Scale	Drawn	O. Adlung					
		Date	23.05.2012					
		changed	09.03.18 CW					
Ferrovac GmbH	THE INFORMATION CONTAINED IN THIS DRAWING IS THE SOLE PROPERTY OF FERROVAC GMBH. ANY REPRODUCTION IN PART OR AS WHOLE WITHOUT OUR PERMISSION IS PROHIBITED.	5:1	SHOMDCRA					
CH-8050 Zurich		Rev. B	sheet 1/1					



RECOMHTR1001S

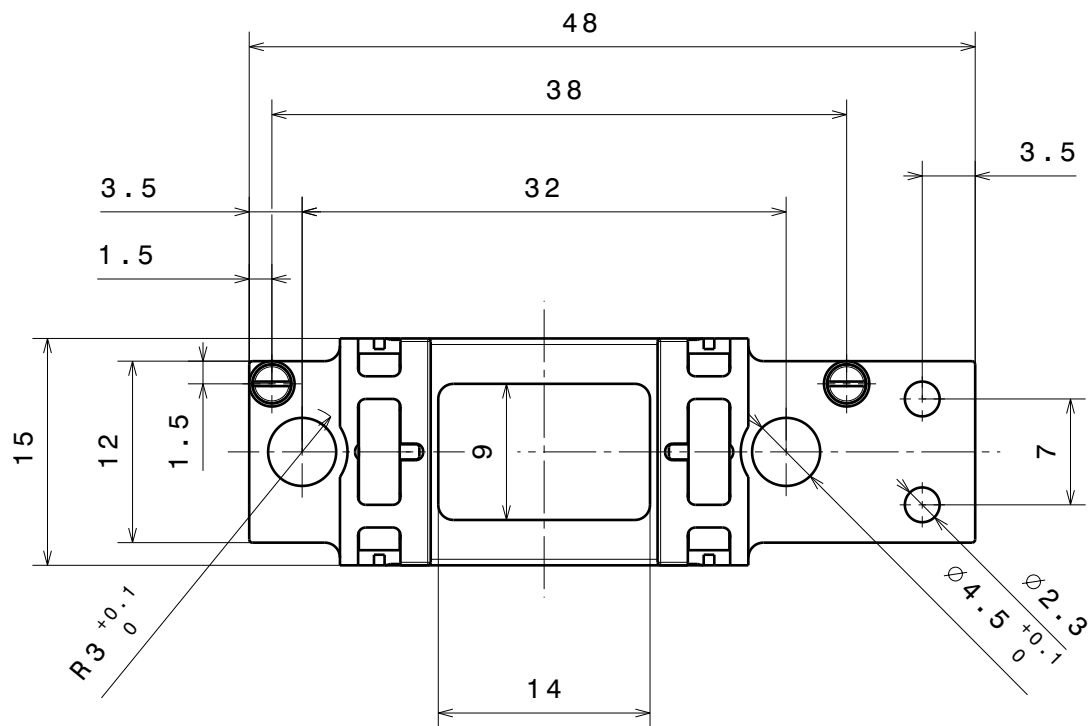
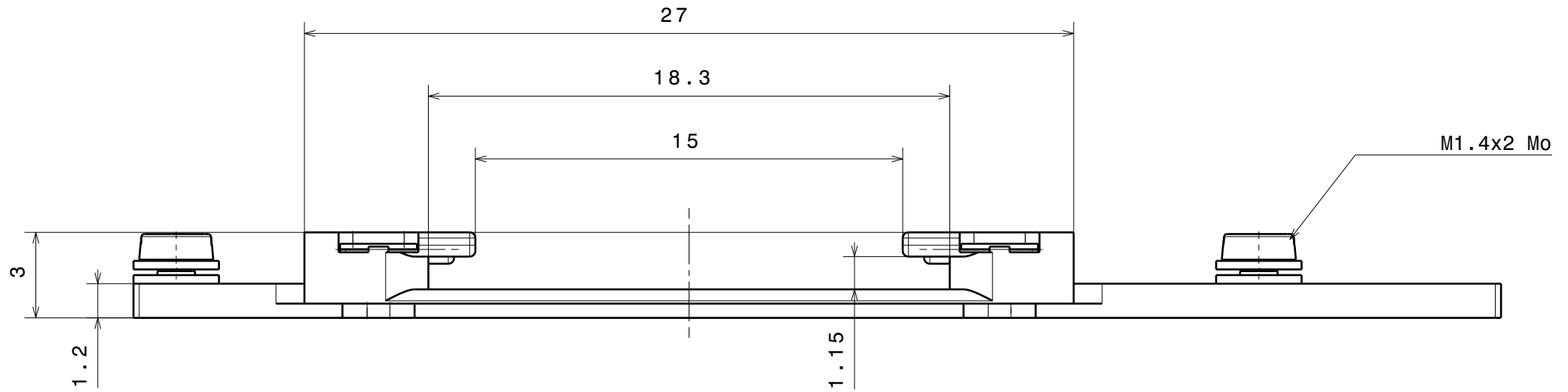


Boralectric resistive heating element not included



$\sqrt{\text{Ra } 0.8}$ (✓) $\begin{matrix} +0.2 \\ +0.1 \end{matrix}$ $\begin{matrix} -0.1 \\ -0.2 \end{matrix}$
 general tolerances ISO 2768-K

Material: fully UHV compatible		nominal	over	1	6	30	100	300	1000
Receptacle for SHOM sample plates		dimension up to		6	30	100	300	1000	2000
RECOMHTR1001S		tolerance \pm		0.05	0.1	0.3	0.5	0.8	1.2
		Scale	Drawn	D.Rechsteiner					
		1:2	Date	07.03.2014					
			changed					
Ferrovac GmbH		THE INFORMATION CONTAINED IN THIS DRAWING IS THE SOLE PROPERTY OF FERROVAC GMBH. ANY REPRODUCTION IN PART OR AS WHOLE WITHOUT OUR PERMISSION IS PROHIBITED.		RECOMHTR1001S					
CH-8050 Zurich		Rev.	A	sheet 1/1					



$\sqrt{\text{Ra 1.6}}$

$\begin{matrix} +0.2 \\ +0.1 \end{matrix}$ $\begin{matrix} -0.1 \\ -0.2 \end{matrix}$

general tolerances ISO 2768-K

Material: Molybdenum		nominal	over	1	6	30	100	300	1000
Receptor for Omicron Plates on VG-Scienta E-Beam Heater		dimension up to		6	30	100	300	1000	2000
		tolerance \pm		0.05	0.1	0.3	0.5	0.8	1.2
		Scale	Drawn	U. Maier					
			Date	24.11.2010					
			Revised	3.12.10 UM					
Ferrovac GmbH		THE INFORMATION CONTAINED IN THIS DRAWING IS THE SOLE PROPERTY OF FERROVAC GMBH. ANY REPRODUCTION IN PART OR AS WHOLE WITHOUT OUR PERMISSION IS PROHIBITED.		5:1 (2:1)		RECOMZEBH			
CH-8050 Zurich									