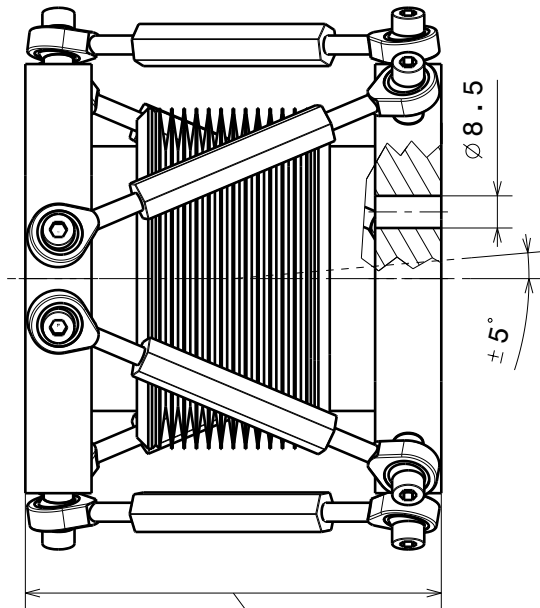
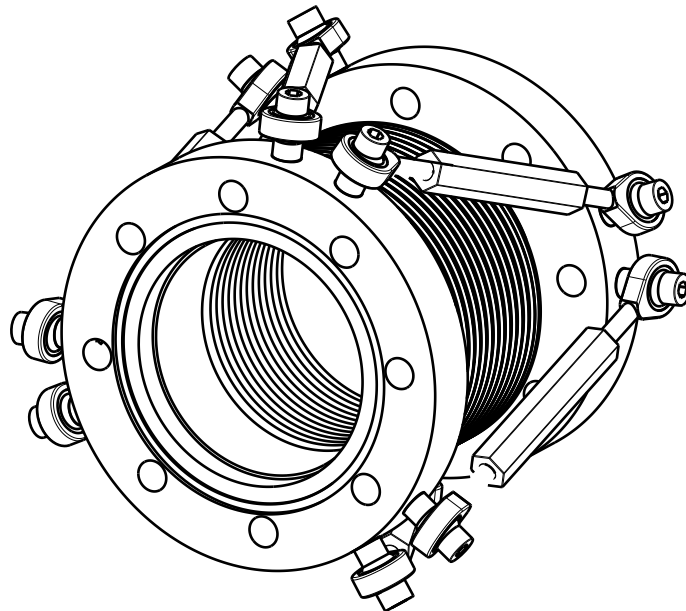
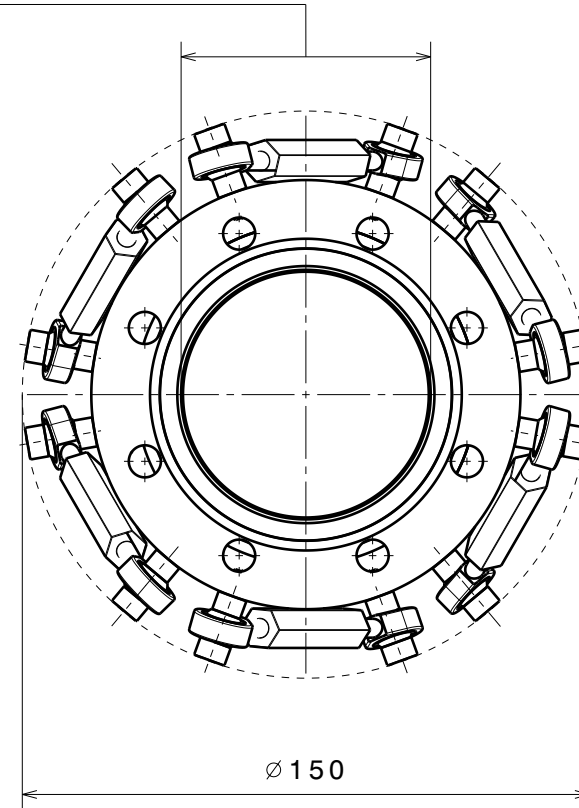


Free Inner Diameter $\varnothing 66$



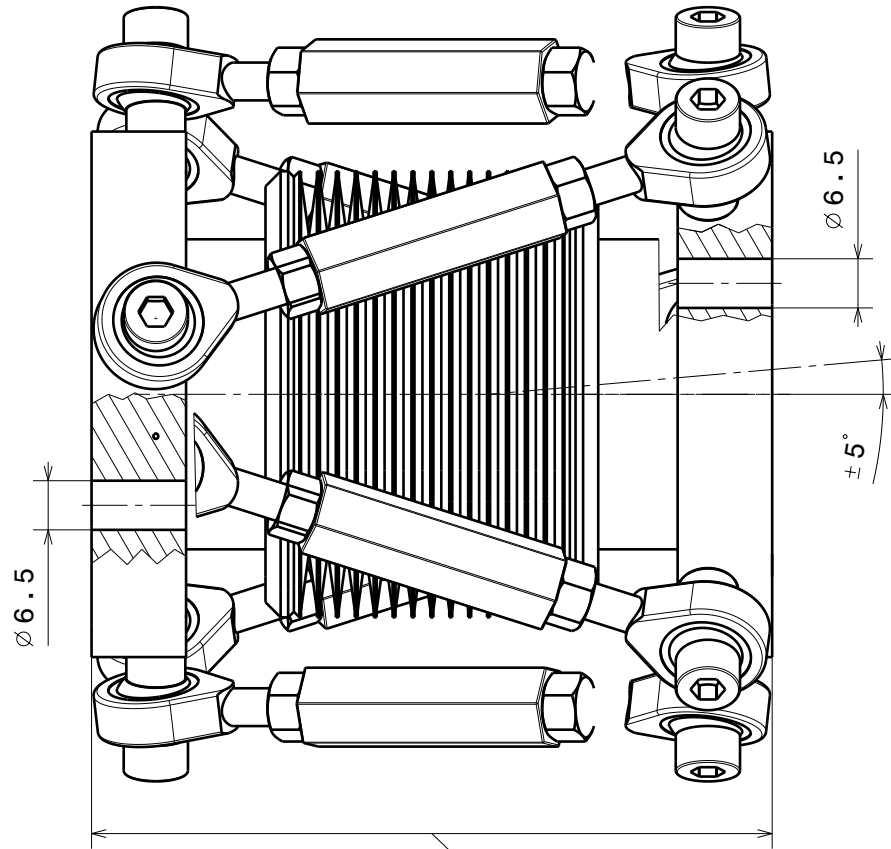
Insertion Length = 110 ± 5 mm



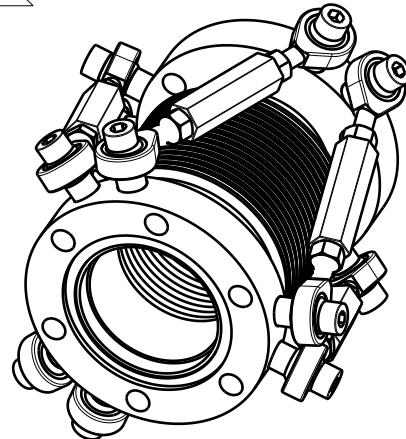
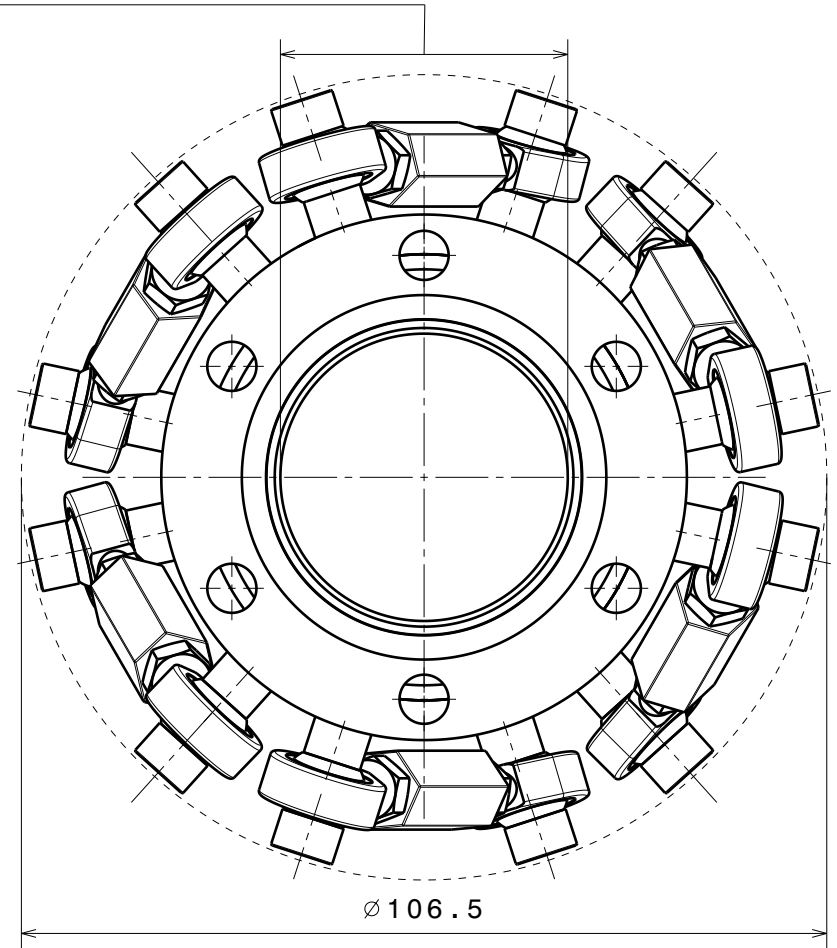
Lateral range: ± 5 mm
 Angle deflection: $\pm 5^\circ$
 Length range: ± 5 mm
 Pressure range: $1 \cdot 10^{-11}$ mbar to 1000 mbar
 max. bakeout temperature: 200°C

Material: AISI 316L	nominal	over	1	6	30	100	300	1000
Hexapod Port Aligner DN63CF	dimension up to		6	30	100	300	1000	2000
	tolerance \pm		0.05	0.1	0.3	0.5	0.8	1.2
PA63HEX	Scale	Drawn	D.Rechsteiner					
Ferrovac GmbH CH-8050 Zurich	1:2	Date	13.01.2012					
		Checked	00.00.0000XY					
THE INFORMATION CONTAINED IN THIS DRAWING IS THE SOLE PROPERTY OF FERROVAC GMBH. ANY REPRODUCTION IN PART OR AS WHOLE WITHOUT OUR PERMISSION IS PROHIBITED.	Rev. A	PA63HEX sheet 1/1						

Free Inner Diameter = $\varnothing 38$



Insertion Length = 90mm +/- 5mm



(1:2)

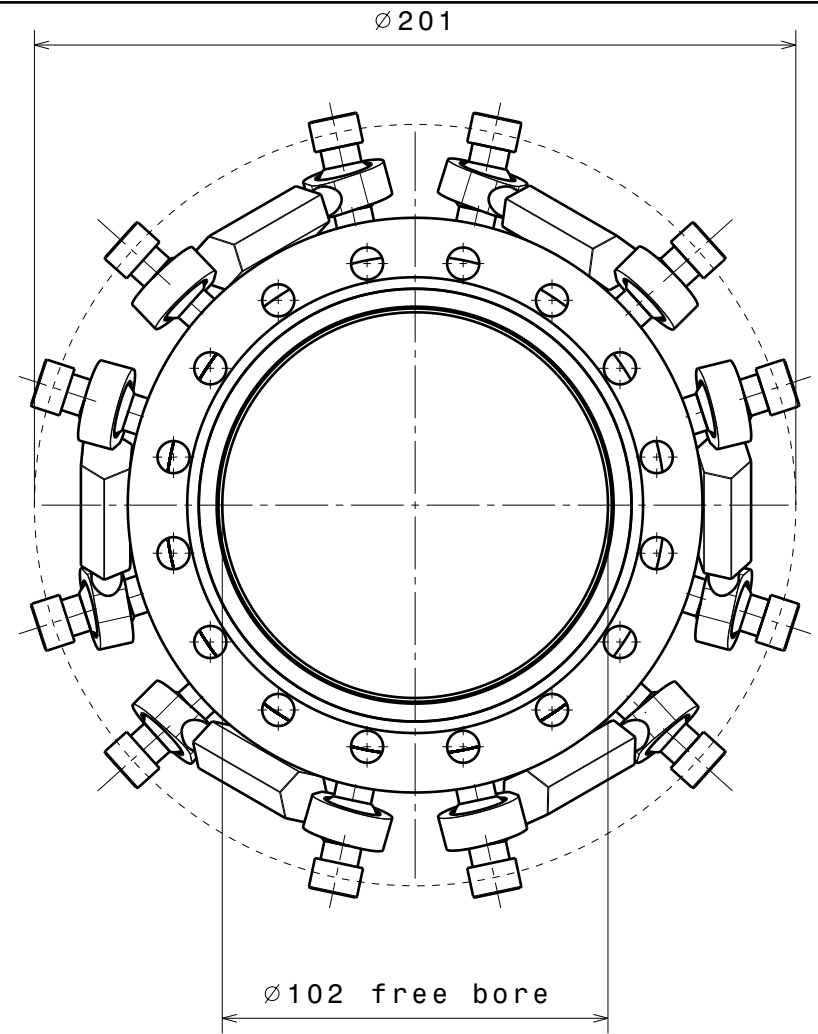
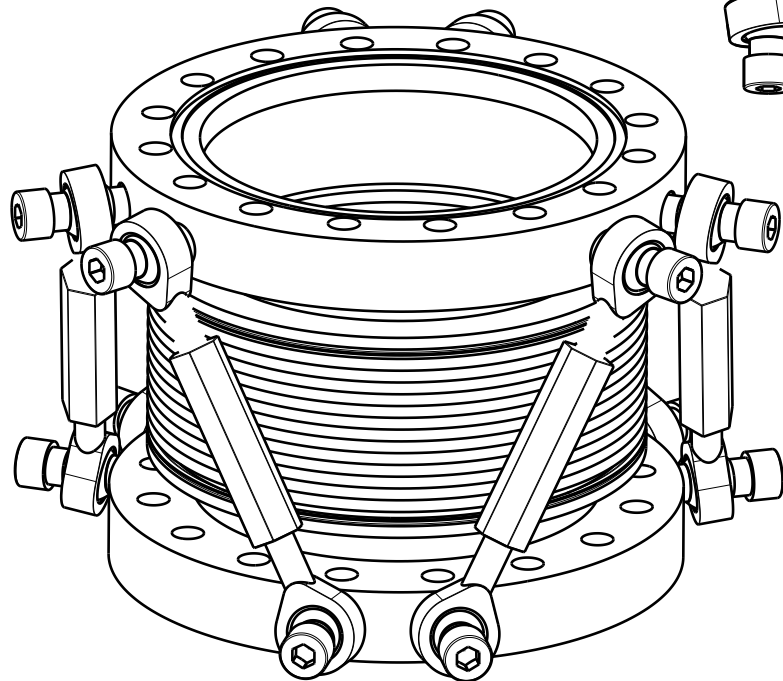
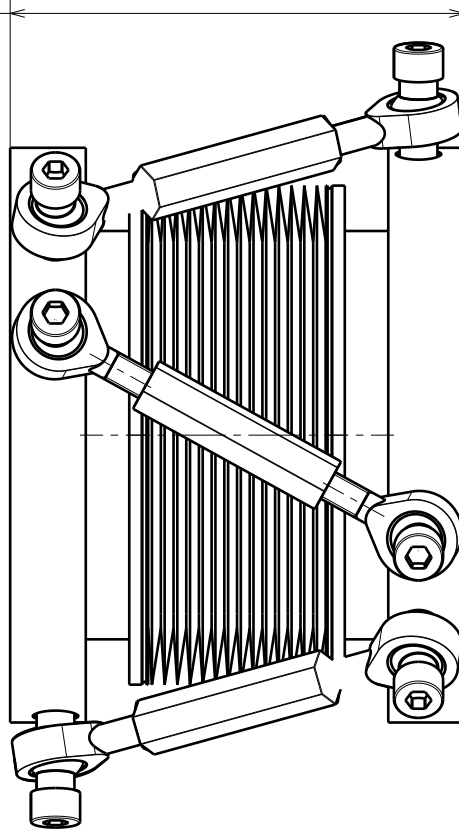
Lateral range: $\pm 5\text{mm}$
 Angle deflection: $\pm 5^\circ$
 Length range: $\pm 5\text{mm}$
 Pressure range: $1 \cdot 10^{-11}\text{mbar}$ to 1000mbar
 max. bakeout temperature: 200°C

Material: all UHV compatible	nominal dimension up to	1	6	30	100	300	1000
Hexapod Port Aligner DN40CF	tolerance \pm	0.05	0.1	0.3	0.5	0.8	1.2
PA40HEX	Scale	Drawn	D.Rechsteiner				
	1:1	Date	19.12.2011				
	(1:2)	Checked	20.10.2012				
Ferrovac GmbH CH-8050 Zurich	THE INFORMATION CONTAINED IN THIS DRAWING IS THE SOLE PROPERTY OF FERROVAC GMBH. ANY REPRODUCTION IN PART OR AS WHOLE WITHOUT OUR PERMISSION IS PROHIBITED.	Rev. B	PA40HEX sheet 1/1				

insertion length = 120 +/-5mm

angular deflection +/-5°

lateral deflection +/-5mm



$\sqrt{\text{Ra } 0.8}$ (✓) $\begin{matrix} +0.2 \\ +0.1 \end{matrix}$ $\begin{matrix} -0.1 \\ -0.2 \end{matrix}$
 general tolerances ISO 2768-K

Material: 316L & 304L		nominal	over	1	6	30	100	300	1000
Hexapod Port Aligner DN100CF		dimension up to		6	30	100	300	1000	2000
Clear holes		tolerance ±		0.05	0.1	0.3	0.5	0.8	1.2
		Scale	Drawn	U. Maier					
			Date	17.1.2014					
			changed	14.10.2014DS					
Ferrovac GmbH		THE INFORMATION CONTAINED IN THIS DRAWING IS THE SOLE PROPERTY OF FERROVAC GMBH. ANY REPRODUCTION IN PART OR AS WHOLE WITHOUT OUR PERMISSION IS PROHIBITED.		1:2		PA100HEX			
CH-8050 Zurich		Rev.	B						
		sheet 1/1							