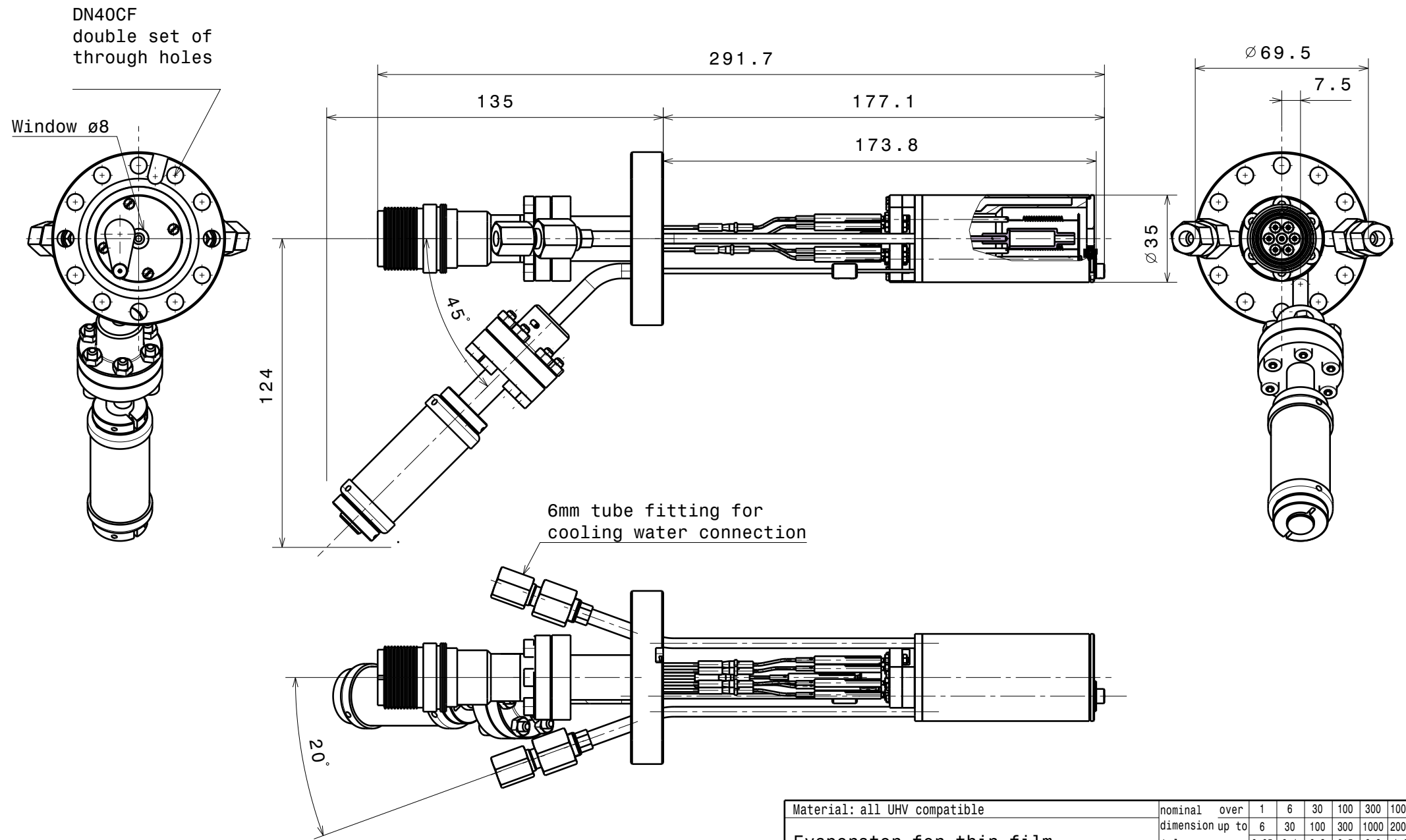


Material: all UHV compatible		nominal	over	1	6	30	100	300	1000
Evaporator for thin film deposition		dimension up to		6	30	100	300	1000	2000
		tolerance ±		0.05	0.1	0.3	0.5	0.8	1.2
		Scale	Drawn	U. Maier					
			Date	29.10.2010					
			Revised	08.08.16 JB					
Ferrovac GmbH		THE INFORMATION CONTAINED IN THIS DRAWING IS THE SOLE PROPERTY OF FERROVAC GMBH. ANY REPRODUCTION IN PART OR AS WHOLE WITHOUT OUR PERMISSION IS PROHIBITED.		1:2		EV40FC sheet2/2			
CH-8050 Zurich				Rev.	C				



Material: all UHV compatible		nominal	over	1	6	30	100	300	1000
Evaporator for thin film deposition		dimension up to		6	30	100	300	1000	2000
		tolerance ±		0.05	0.1	0.3	0.5	0.8	1.2
		Scale	Drawn	U. Maier					
		1:2	Date	29.10.2010					
			Revised	08.08.16 JB					
Ferrovac GmbH		THE INFORMATION CONTAINED IN THIS DRAWING IS THE SOLE PROPERTY OF FERROVAC GMBH. ANY REPRODUCTION IN PART OR AS WHOLE WITHOUT OUR PERMISSION IS PROHIBITED.		EV40FC					
CH-8050 Zurich		Rev.	C	sheet 1/2					