

Material: all UHV compatible

Revolving Sample Carrier for  
two SHBS Block Style Holders

**Ferrovac GmbH**  
CH-8050 Zurich

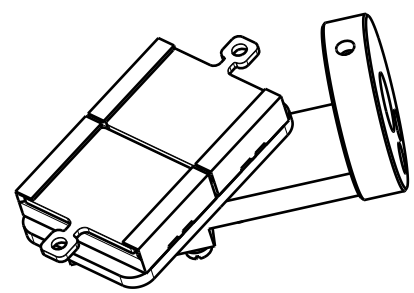
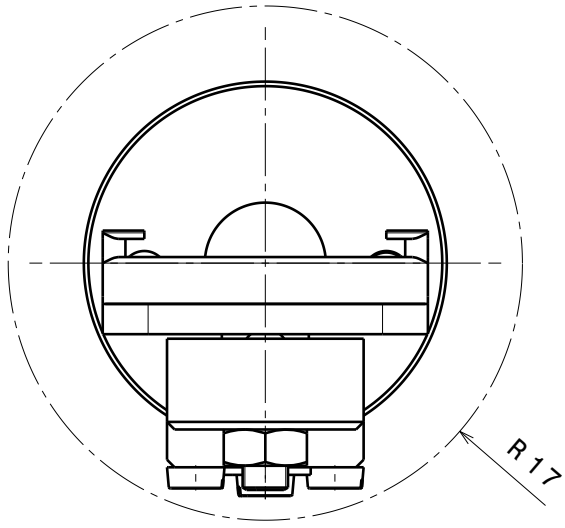
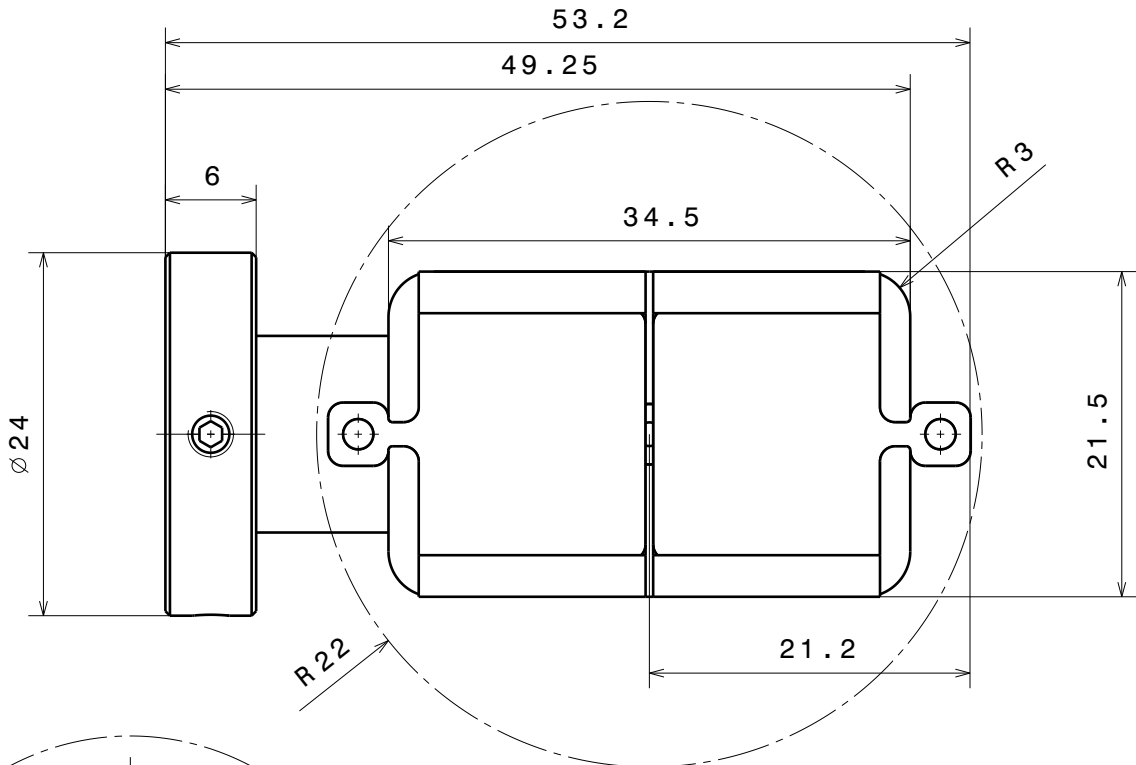
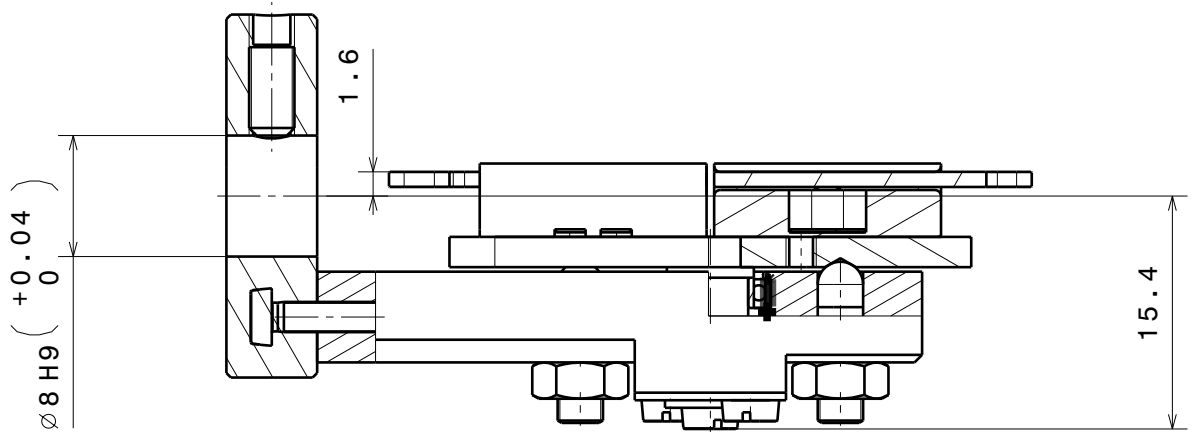
THE INFORMATION CONTAINED IN THIS  
DRAWING IS THE SOLE PROPERTY OF  
FERROVAC GMBH. ANY REPRODUCTION  
IN PART OR AS WHOLE WITHOUT OUR  
PERMISSION IS PROHIBITED.

nominal dimension	over up to	1	6	30	100	300	1000
tolerance	$\pm$	0.05	0.1	0.3	0.5	0.8	1.2

Scale	Drawn	U. Maier
	Date	16.2.2011
	Checked	U. Maier

2:1

**RSC2BS**  
sheet 1/1



$\nabla$  Ra 1.6 (✓)  $\swarrow$   $\begin{matrix} +0.2 \\ +0.1 \end{matrix}$   $\searrow$   $\begin{matrix} -0.1 \\ -0.2 \end{matrix}$

general tolerances ISO 2768-K  
 Nicht vermasste Radien R1.5

Material: all UHV compatible

Revolving Sample Carrier for two SHOM sample plates

nominal dimension	over up to	1	6	30	100	300	1000
tolerance $\pm$		0.05	0.1	0.3	0.5	0.8	1.2

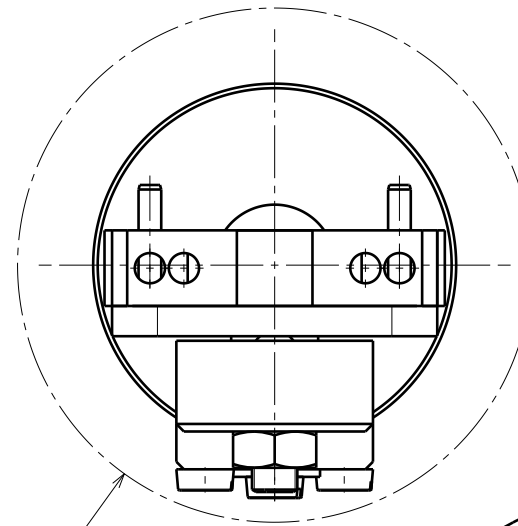
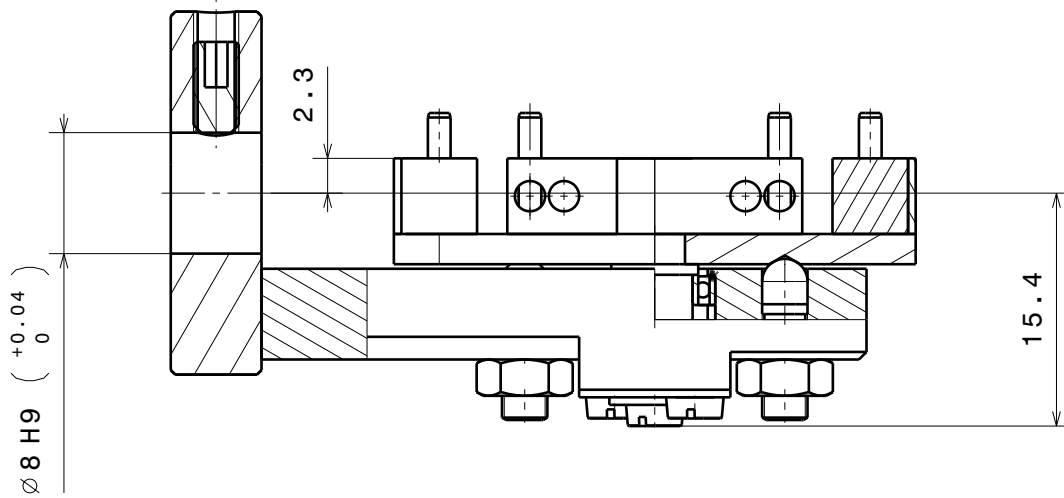
Scale	Drawn	U. Maier
	Date	16.2.2011
	Checked	U. Maier

**Ferrovac GmbH**  
 CH-8050 Zurich

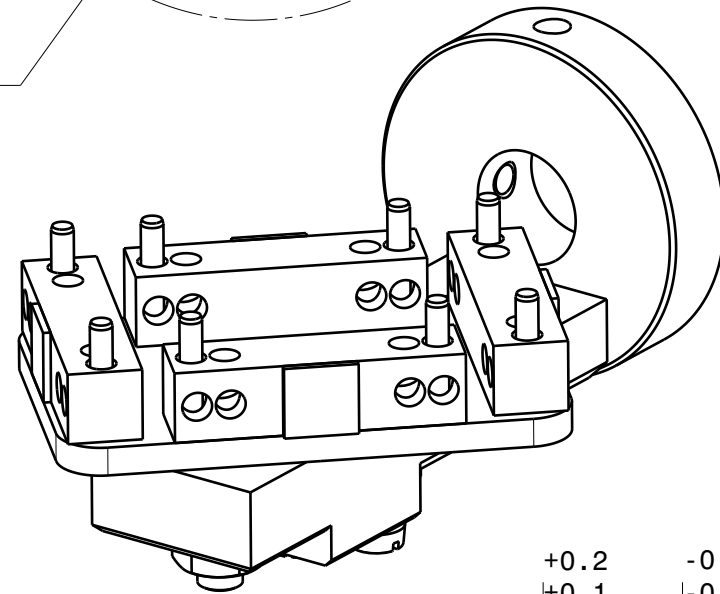
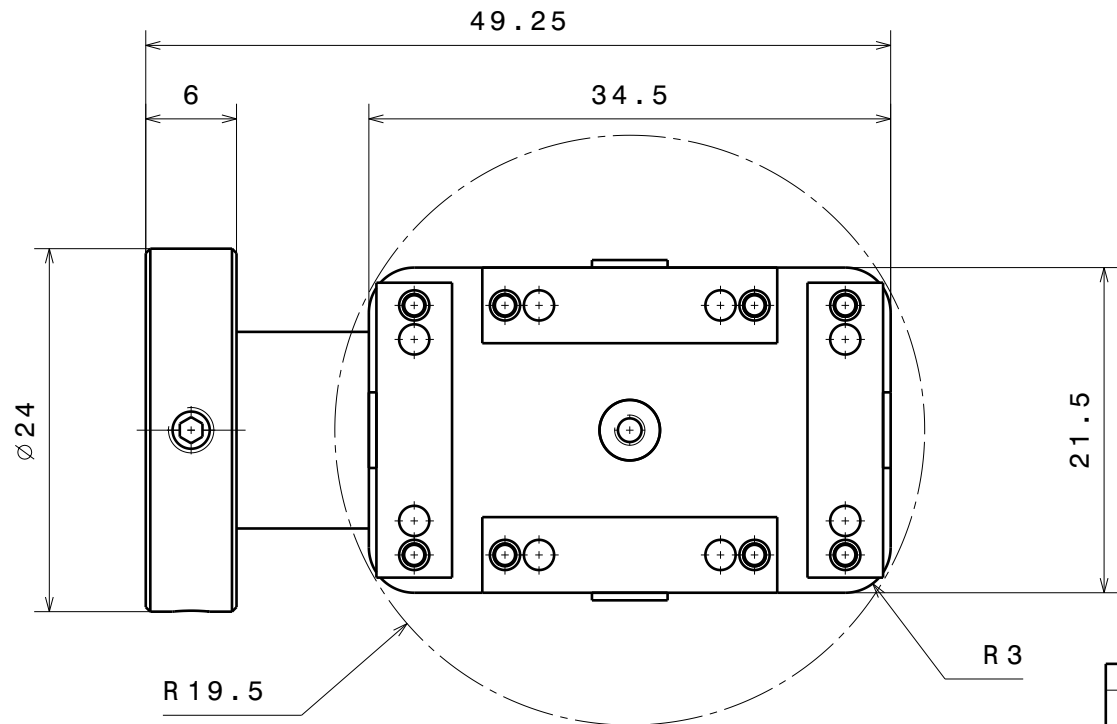
THE INFORMATION CONTAINED IN THIS DRAWING IS THE SOLE PROPERTY OF FERROVAC GMBH. ANY REPRODUCTION IN PART OR AS WHOLE WITHOUT OUR PERMISSION IS PROHIBITED.

2:1

**RSC20M**  
 sheet 1/1

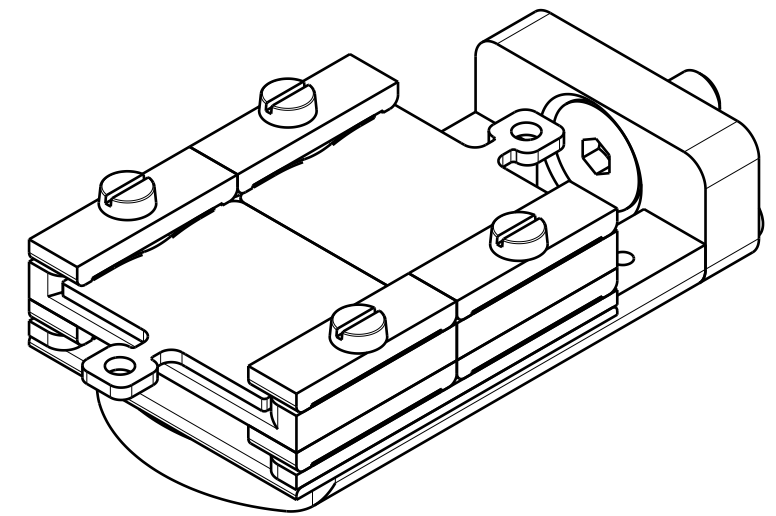
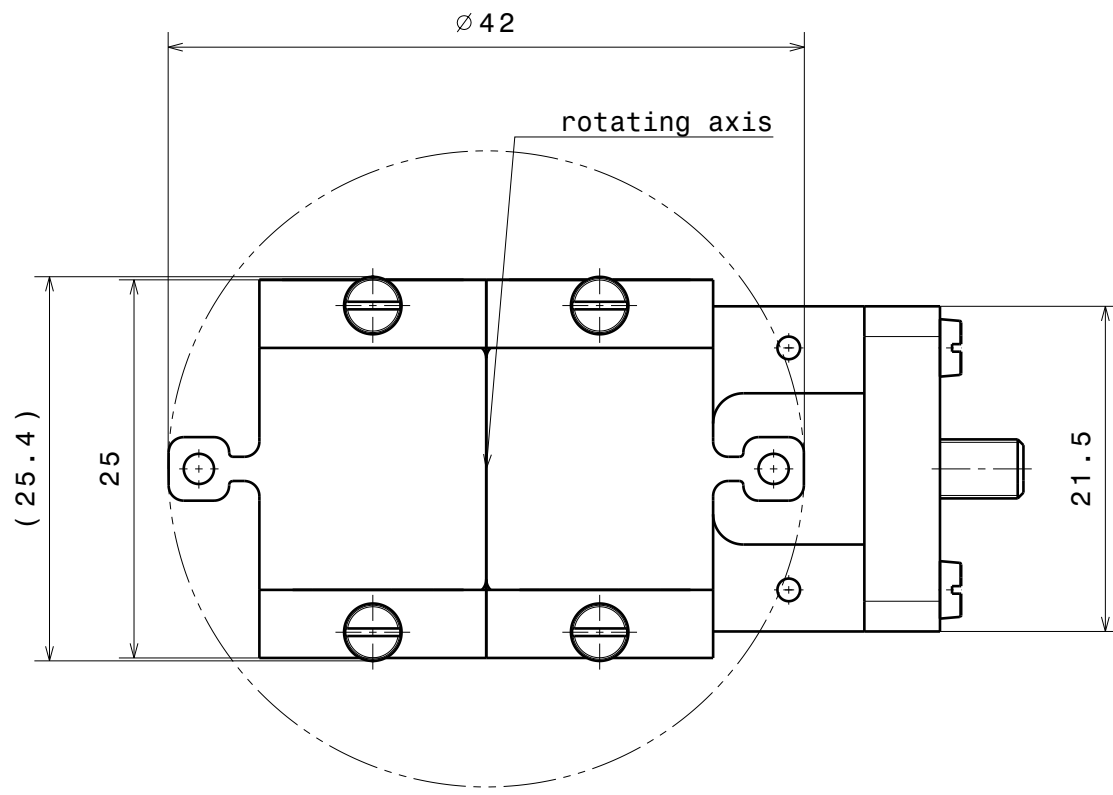
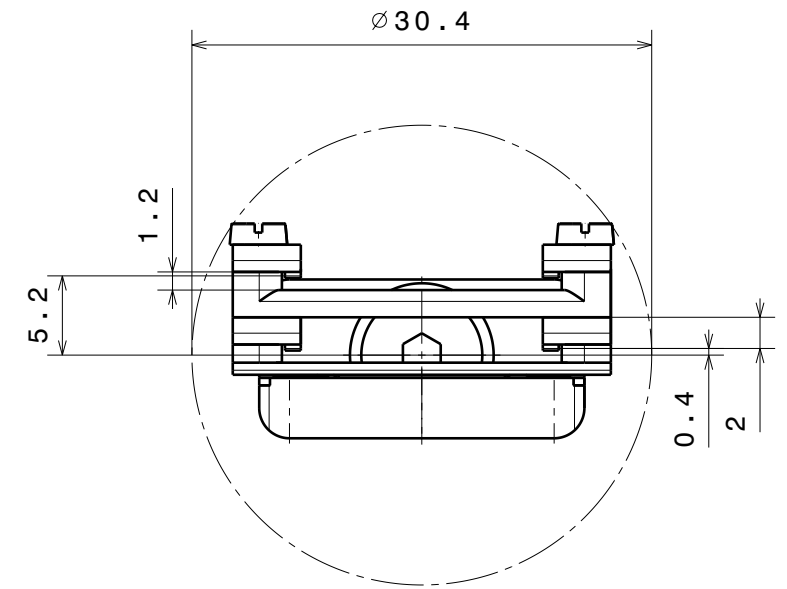
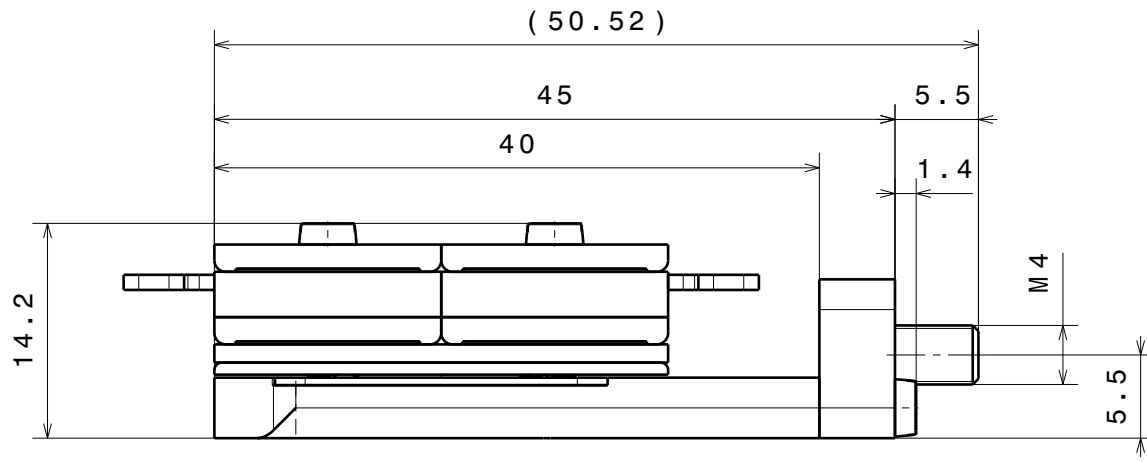


R 17



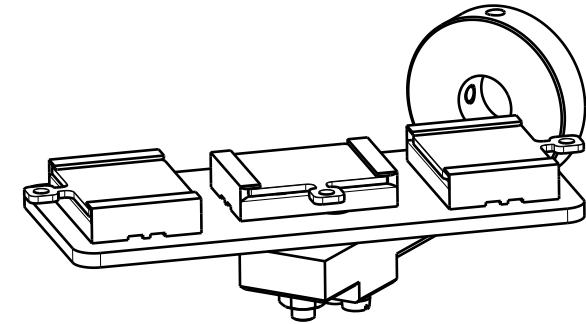
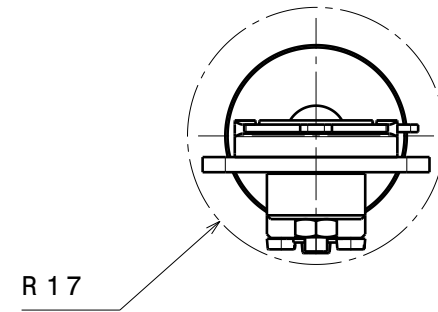
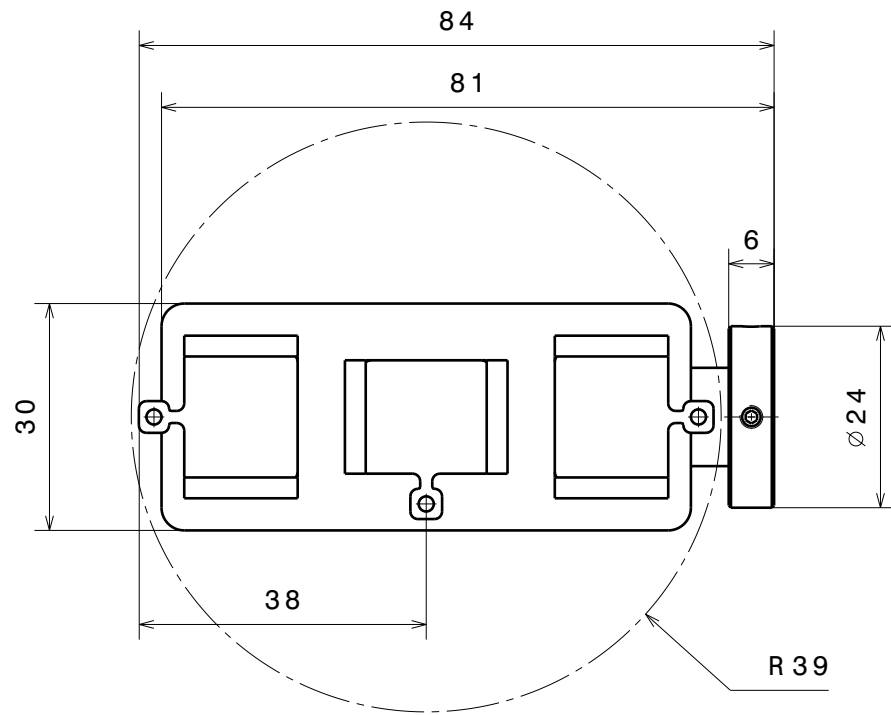
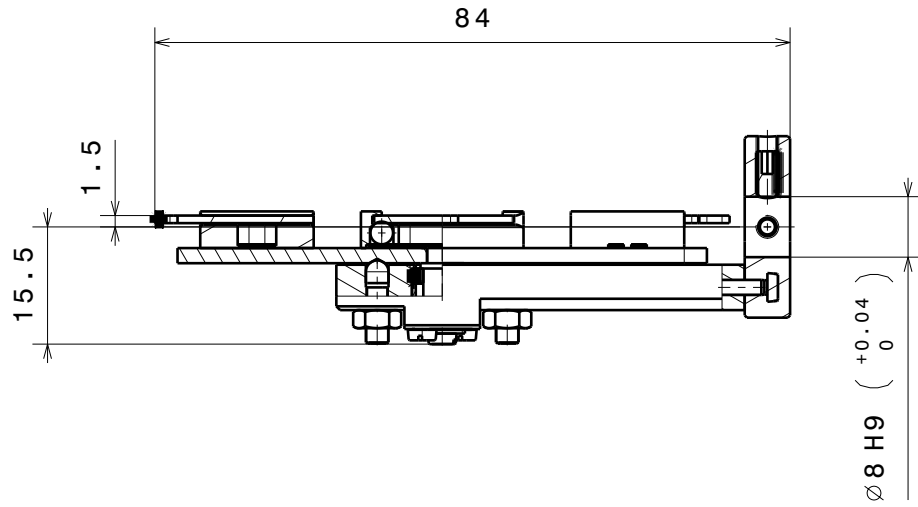
$\sqrt{\text{Ra 1.6}}$  (✓)  $\begin{matrix} +0.2 \\ +0.1 \end{matrix}$   $\begin{matrix} -0.1 \\ -0.2 \end{matrix}$   
 general tolerances ISO 2768-K

Material: all UHV compatible	nominal over	1	6	30	100	300	1000
Revolving Sample Carrier RSC4BSK	dimension up to	6	30	100	300	1000	2000
	tolerance $\pm$	0.05	0.1	0.3	0.5	0.8	1.2
RSC4BSK	Scale	Drawn	D.Rechsteiner				
	Date	25.02.11					
	Checked	Name					
<b>Ferrovac GmbH</b> CH-8050 Zurich	THE INFORMATION CONTAINED IN THIS DRAWING IS THE SOLE PROPERTY OF FERROVAC GMBH. ANY REPRODUCTION IN PART OR AS WHOLE WITHOUT OUR PERMISSION IS PROHIBITED.	2:1		<b>RSC4BSK</b>			
		sheet 1/1					



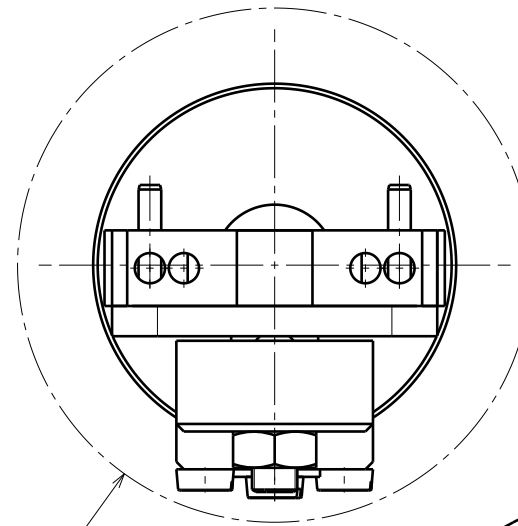
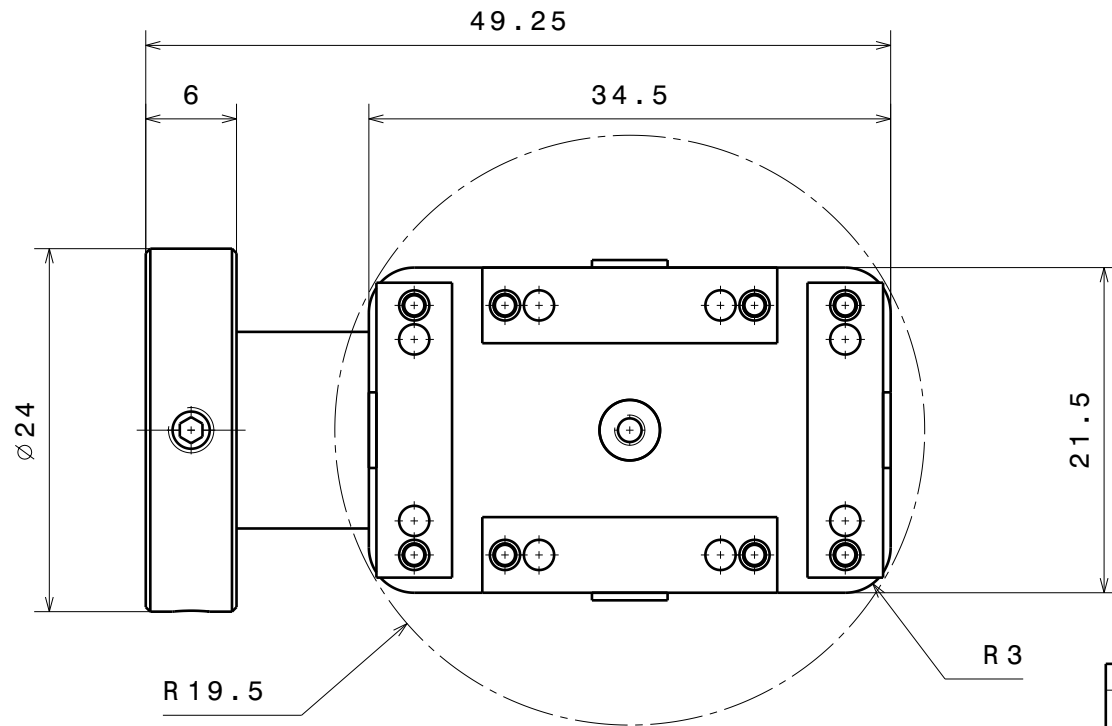
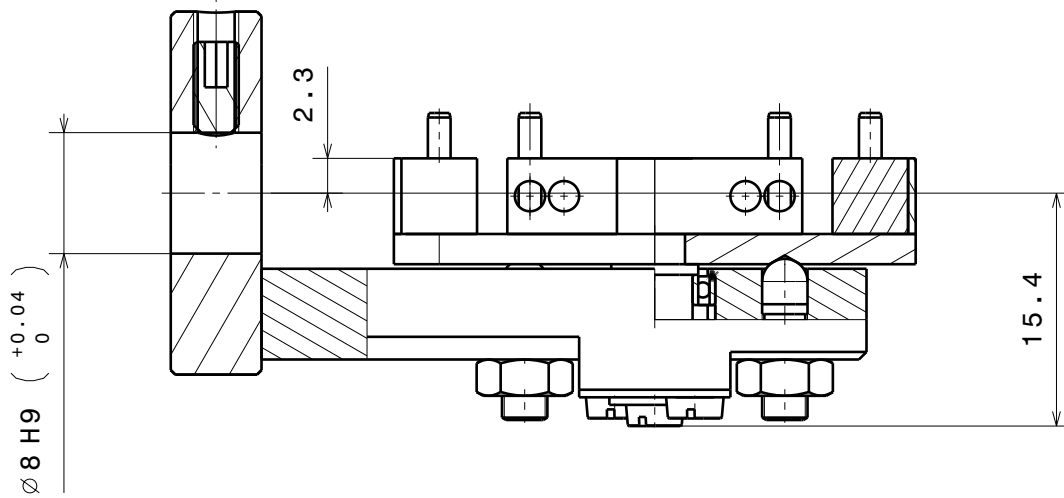
angular snap-in positions at 45 degrees

Material: fully UHV compatible		nominal	over	1	6	30	100	300	1000
Revolving Sample Carrier for SHOM sample plates		dimension up to		6	30	100	300	1000	2000
RSCFL40M		tolerance	±	-	-	-	-	-	-
Scale		Drawn	D.Rechsteiner						
		Date	12.06.2014						
2:1		changed	28.06.2016						
		RSCFL40M							
<b>Ferrovac GmbH</b> CH-8050 Zurich		THE INFORMATION CONTAINED IN THIS DRAWING IS THE SOLE PROPERTY OF FERROVAC GMBH. ANY REPRODUCTION IN PART OR AS WHOLE WITHOUT OUR PERMISSION IS PROHIBITED.							
Rev.	C	sheet 1/1							

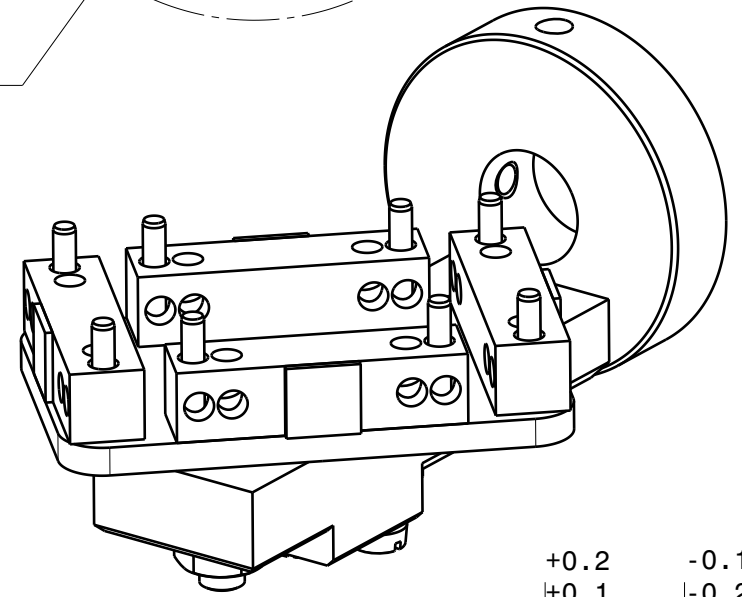


$\sqrt{\text{Ra 1.6}}$  (✓)  $\begin{matrix} +0.2 \\ +0.1 \end{matrix}$   $\begin{matrix} -0.1 \\ -0.2 \end{matrix}$   
 general tolerances ISO 2768-K

Material: all UHV compatible		nominal	over	1	6	30	100	300	1000
Revolving Sample Carrier for SHOM sample plates		dimension up to		6	30	100	300	1000	2000
		tolerance ±		0.05	0.1	0.3	0.5	0.8	1.2
		Scale	Drawn	D.Rechsteiner					
			Date	25.02.11					
			Checked	Name					
<b>Ferrovac GmbH</b> CH-8050 Zurich		THE INFORMATION CONTAINED IN THIS DRAWING IS THE SOLE PROPERTY OF FERROVAC GMBH. ANY REPRODUCTION IN PART OR AS WHOLE WITHOUT OUR PERMISSION IS PROHIBITED.	1:1	<b>RSCL30M</b> sheet 1/1					



R 17



$\sqrt{\text{Ra 1.6}}$  (✓)  $\swarrow$   $\begin{matrix} +0.2 \\ +0.1 \end{matrix}$   $\searrow$   $\begin{matrix} -0.1 \\ -0.2 \end{matrix}$   
 general tolerances ISO 2768-K

Material: all UHV compatible	nominal over	1	6	30	100	300	1000
Revolving Sample Carrier RSC4BSK	dimension up to	6	30	100	300	1000	2000
RSC4BSK	tolerance $\pm$	0.05	0.1	0.3	0.5	0.8	1.2
	Scale	Drawn	D.Rechsteiner				
		Date	25.02.11				
		Checked	Name				
<b>Ferrovac GmbH</b> CH-8050 Zurich	THE INFORMATION CONTAINED IN THIS DRAWING IS THE SOLE PROPERTY OF FERROVAC GMBH. ANY REPRODUCTION IN PART OR AS WHOLE WITHOUT OUR PERMISSION IS PROHIBITED.	2:1	<b>RSC4BSK</b>				
			sheet 1/1				