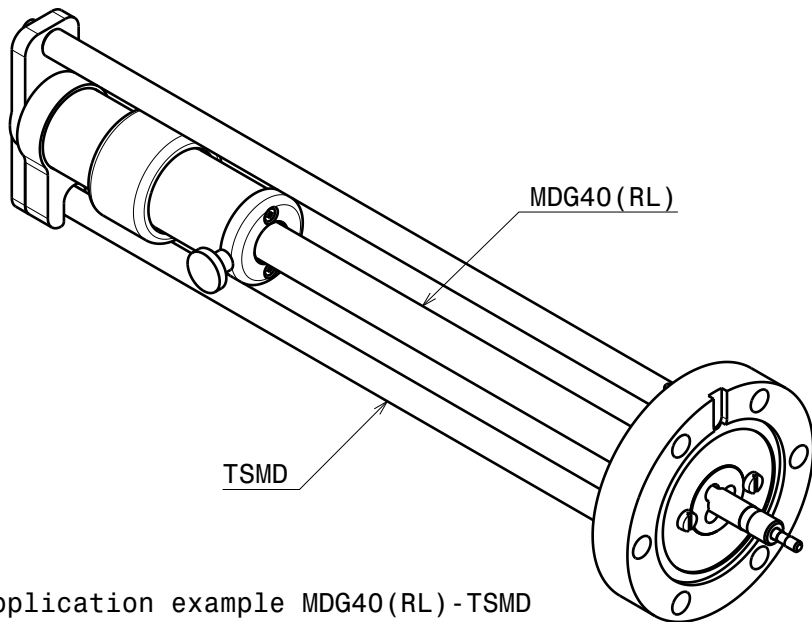
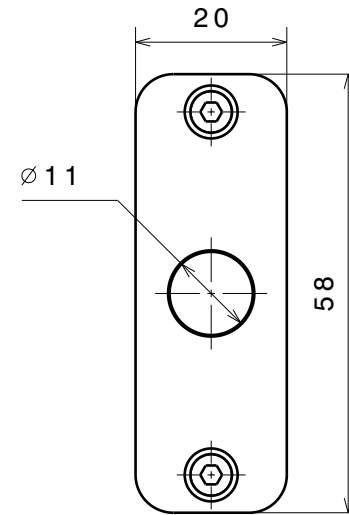
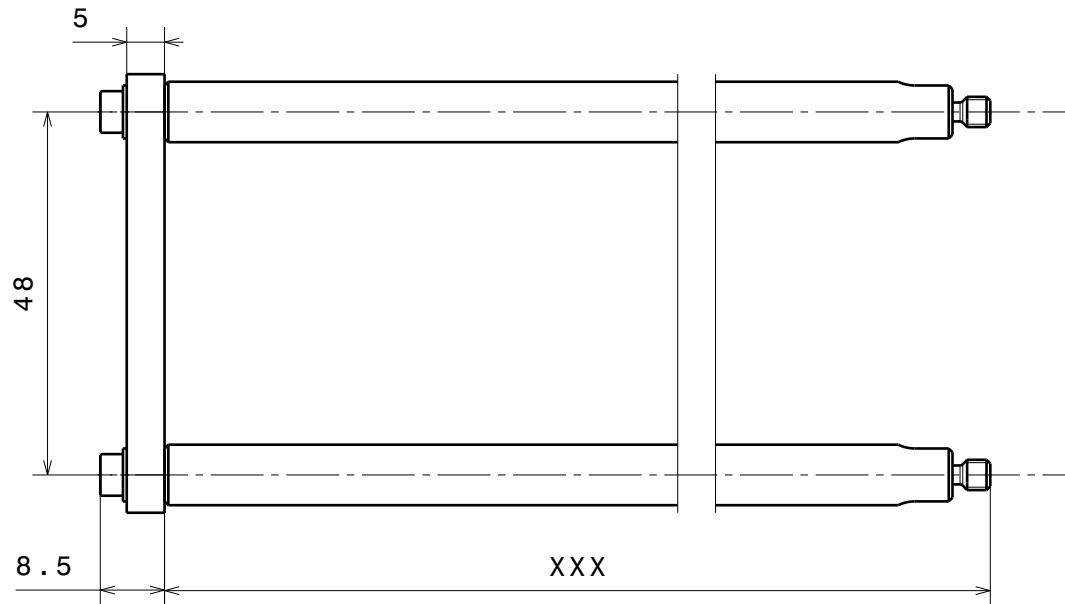


1:1



1:1

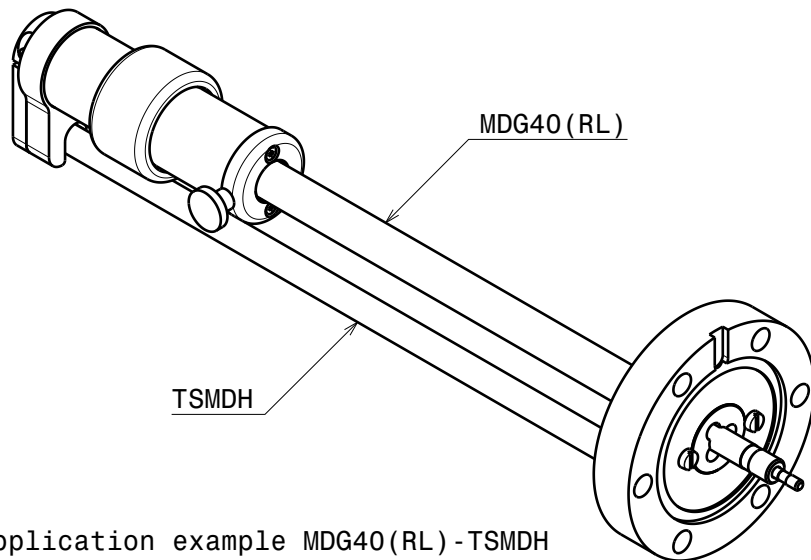
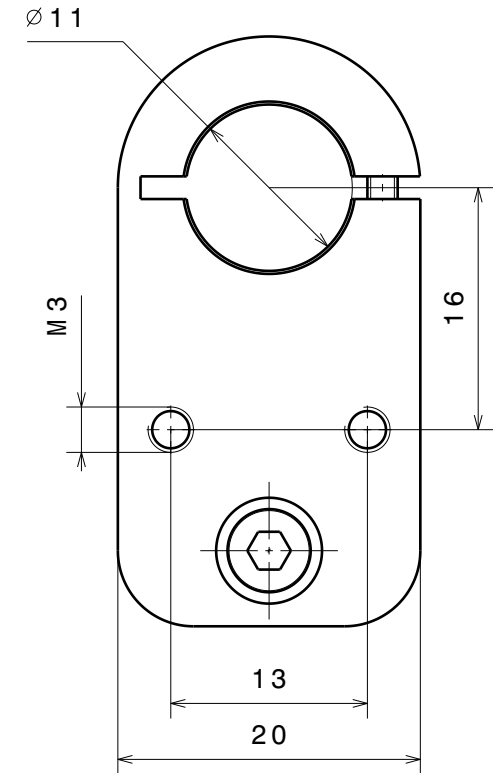
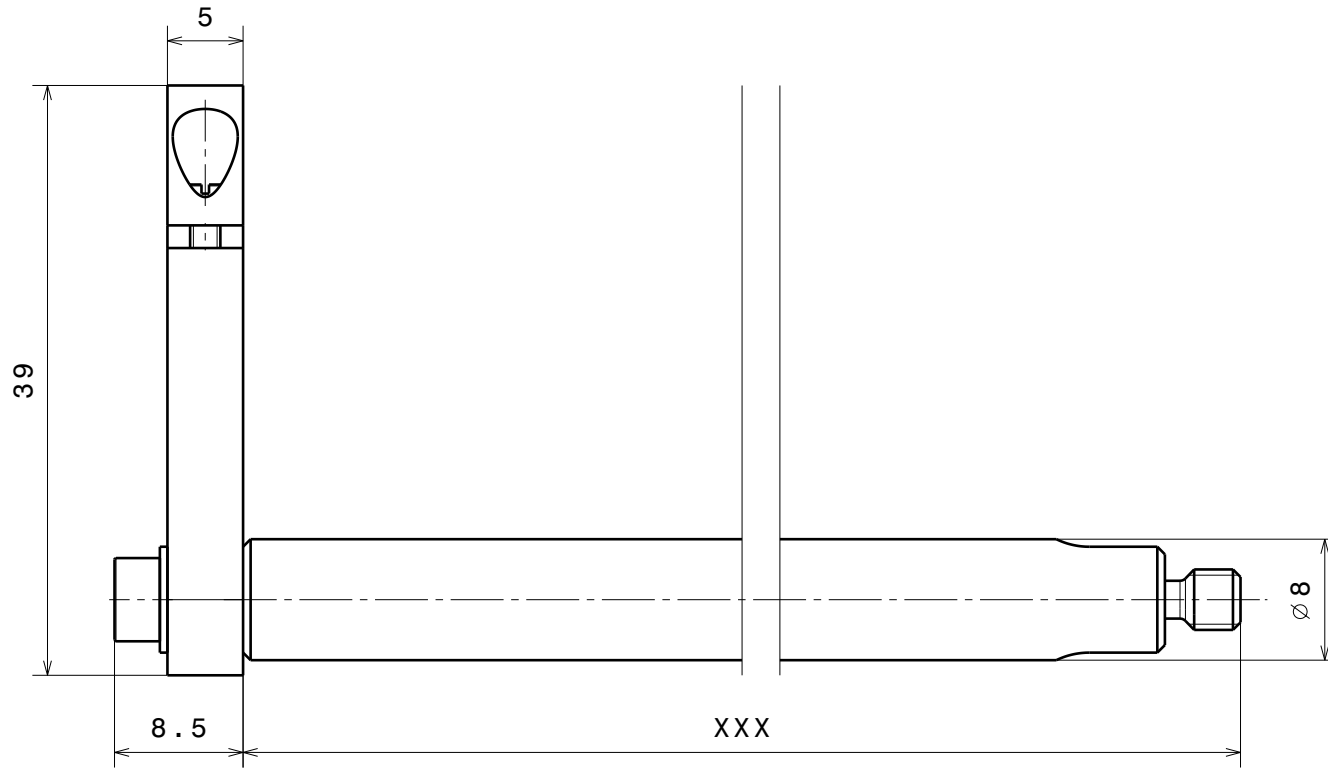
Material: All UHV compatible		nominal	over	1	6	30	100	300	1000
Grabber Tool ID 7 and ID 8 for SHOM Plates		dimension up to		6	30	100	300	1000	2000
		tolerance ±		0.05	0.1	0.3	0.5	0.8	1.2
		Scale	Drawn	von Gunten					
			Date	21.09.2015					
			changed	22.11.2016SM					
<b>Ferrovac GmbH</b> CH-8050 Zurich		THE INFORMATION CONTAINED IN THIS DRAWING IS THE SOLE PROPERTY OF FERROVAC GMBH. ANY REPRODUCTION IN PART OR AS WHOLE WITHOUT OUR PERMISSION IS PROHIBITED.		<b>2:1</b>		<b>GRABSHOM</b>			
Rev.		c							



application example MDG40(RL) - TSMD

$\sqrt{\text{Ra 1.6}}$  (✓)  $\begin{matrix} +0.2 \\ +0.1 \end{matrix}$   $\begin{matrix} -0.1 \\ -0.2 \end{matrix}$   
 general tolerances ISO 2768-K

Material: ....	nominal over	1	6	30	100	300	1000
Tube Support for MD40	dimension up to	6	30	100	300	1000	2000
	tolerance ±	0.05	0.1	0.3	0.5	0.8	1.2
TS	Scale	Drawn	von Gunten				
		Date	03.12.2010				
<b>Ferrovac GmbH</b> CH-8050 Zurich		Revised	.....				
		1:1	<b>TSMD</b> sheet 1/1				
THE INFORMATION CONTAINED IN THIS DRAWING IS THE SOLE PROPERTY OF FERROVAC GMBH. ANY REPRODUCTION IN PART OR AS WHOLE WITHOUT OUR PERMISSION IS PROHIBITED.							



application example MDG40(RL) - TSMDH

$\sqrt{\text{Ra 1.6}}$  ( $\checkmark$ )  $\begin{matrix} +0.2 \\ +0.1 \end{matrix}$   $\begin{matrix} -0.1 \\ -0.2 \end{matrix}$   
 general tolerances ISO 2768-K

Material: ....	nominal over	1	6	30	100	300	1000
Tube Support for MD40 single sided TS	dimension up to	6	30	100	300	1000	2000
	tolerance $\pm$	0.05	0.1	0.3	0.5	0.8	1.2
Scale	Drawn	von Gunten					
	Date	03.12.2010					
2:1	Revised	.....					
	THE INFORMATION CONTAINED IN THIS DRAWING IS THE SOLE PROPERTY OF FERROVAC GMBH. ANY REPRODUCTION IN PART OR AS WHOLE WITHOUT OUR PERMISSION IS PROHIBITED.						TSMDH sheet 1/1
Ferrovac GmbH CH-8050 Zurich							