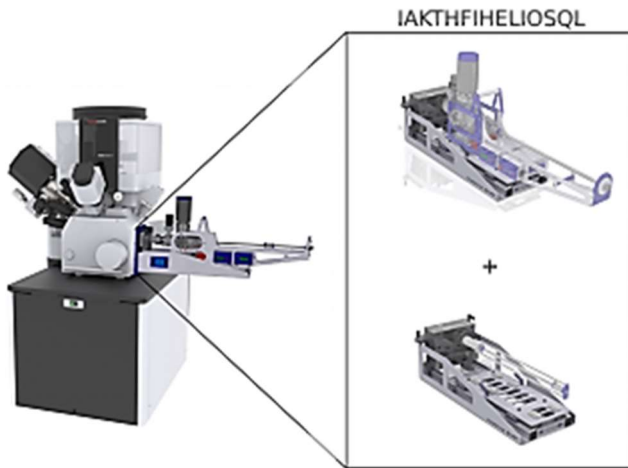


# Instrument Adaptation Kit for Thermo Fisher Helios QuickLoader

Product code: IAKTHFIHELIOSQL



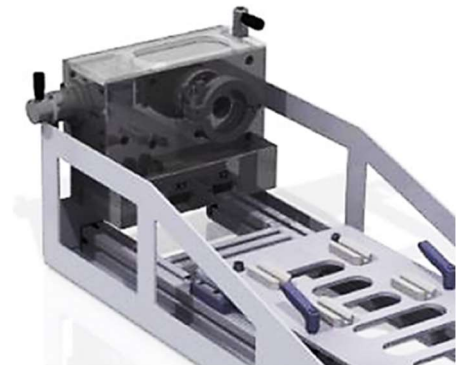
An adaptation to the Thermo Fisher QuickLoader™ - i.e. attach the UHVCTM to the QuickLoader chamber and transfer the sample carrier directly from the UHVCTM, through the QuickLoader™ chamber. The docking package is directly mounted to the Port L of the FIB-SEM chamber.

We currently provide 3 different docking solutions for the Thermo Fisher Helios system: A Direct Docking (DD), Fast Loader (FL) and Quick Loader (QL) solution. For direct comparison, please consult our [製品カタログ\(pdf\)](#).

This product is a possible option if the customer already has the original Thermo Fisher QuickLoader™ installed and wants to add docking of the UHVCTM. Important: This configuration greatly limits sample height and sample holder size due to the small diameter of the QuickLoader™ flange!

## Main features:

- Direct loading of samples by using the original QuickLoader™
- Docking of UHVCTM through adapter flange
- Linear support sledge for UHVCTM
- Valve controller and interface
- Free inner diameter of transfer flanges: 23.7mm (limits sample size!)
- Weight: 6.36kg



## **Specifications: Instrument Adaptation Kit for Thermo Fisher Helios QuickLoader**

Docking Station for the UHV-Suitcase on the Thermo Fisher QuickLoader™.

Contains the following items:

- MD16-0400-0030 with Tube Support
- FRMVSNRAIL, UHV Suitcase Support Sledge and Frame
- ADFRMVSNRAILTHFIQL, Mechanical Support Structure for Helios Thermo Fisher quickloader
- AFTHFIQLKF40, KF40 adapter flange for Thermo Fisher quickloader
- AFCF16KF40ID30, Adapter CF16 to KF16 flange with Inner Ø of 30.8mm
- Optional: Transfer Arm End Effector for specific Sample Holder