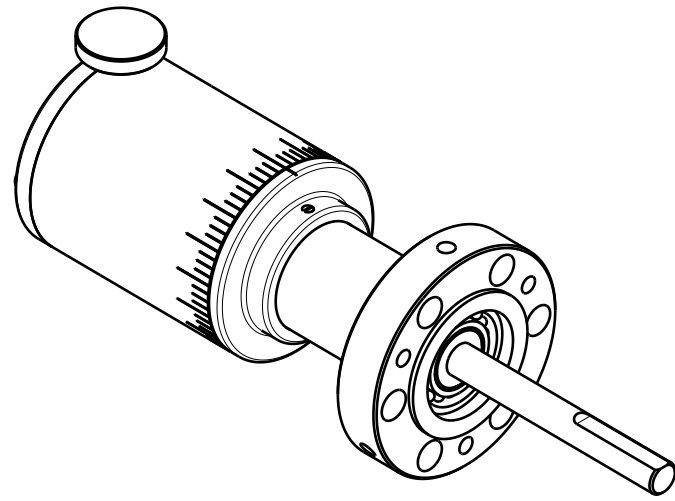
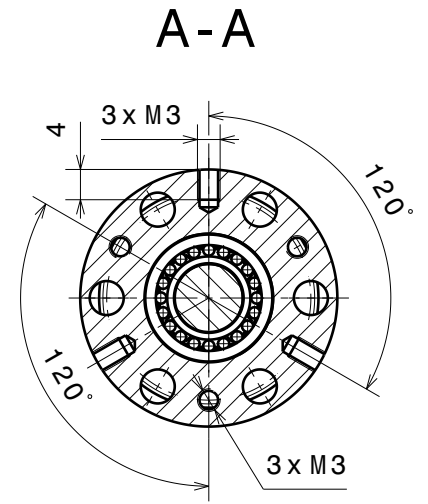
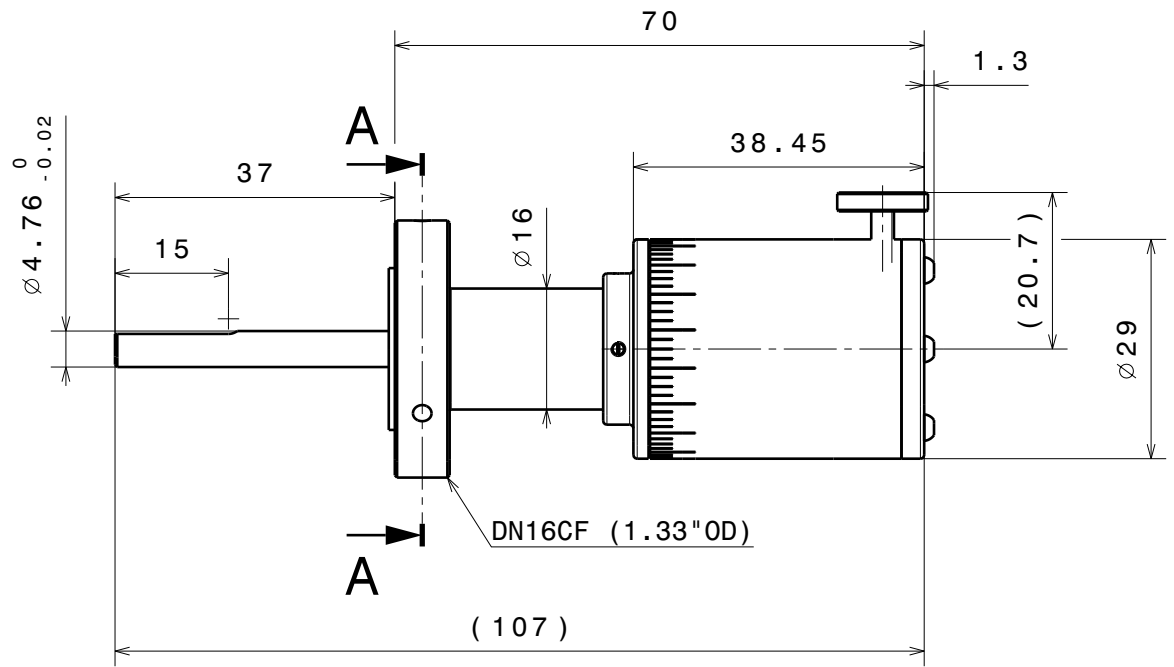


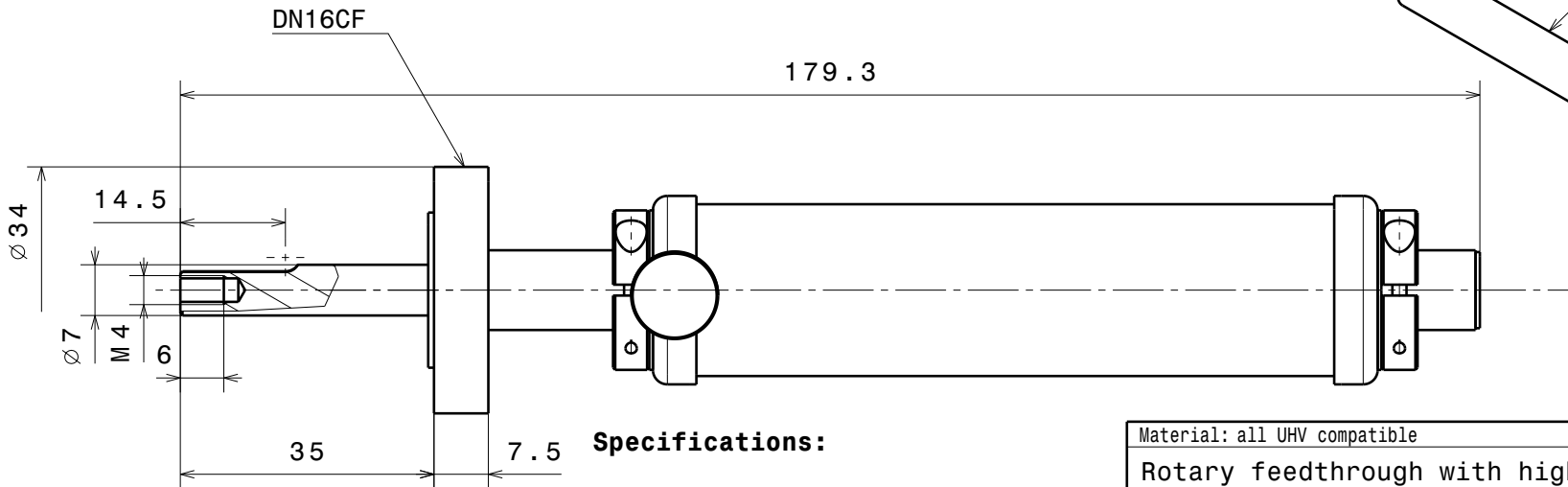
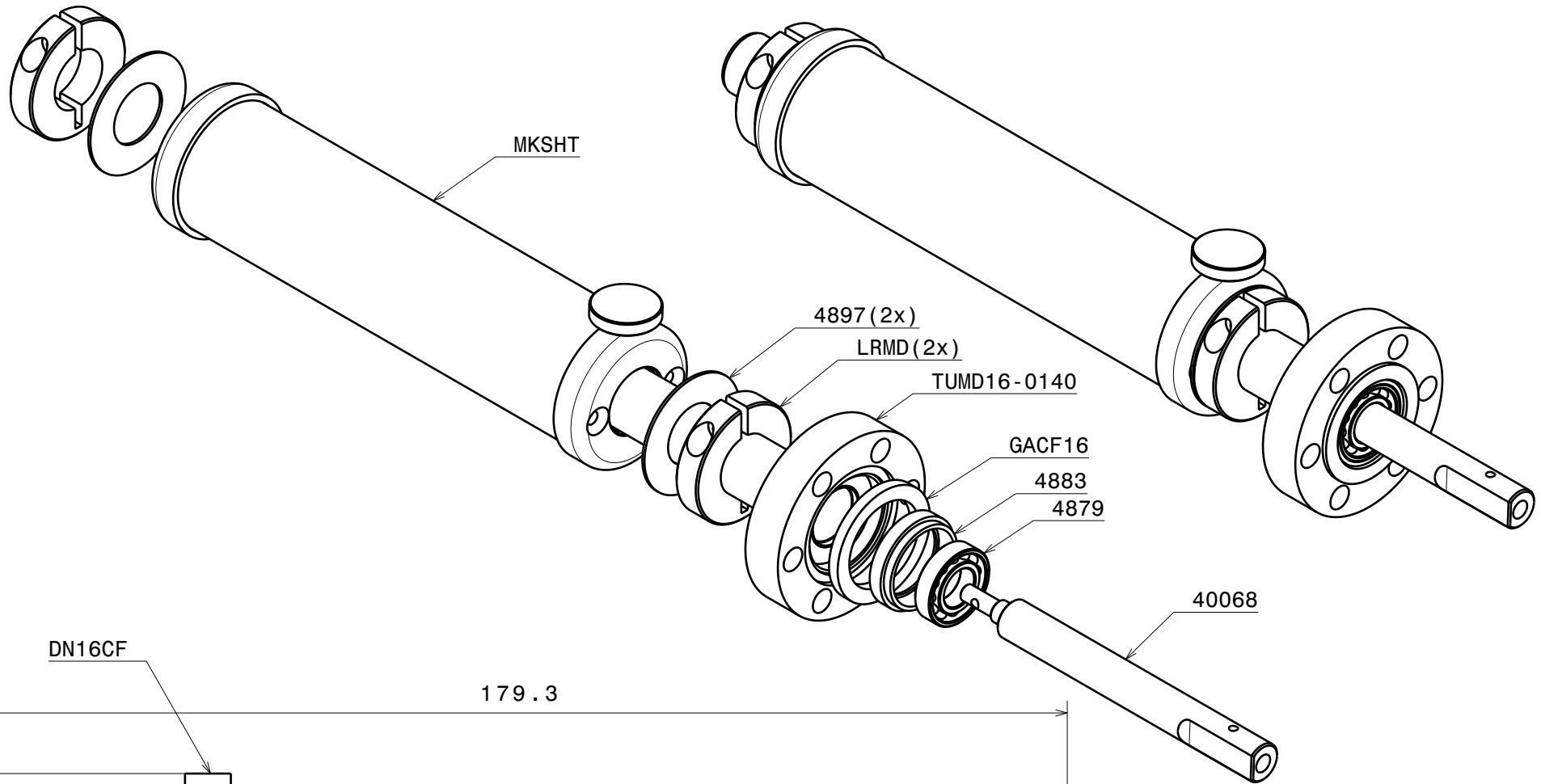
		fl %B a Ł
	<p>S ") · Bz•aQß WiÓİ ýÈ·8-'})%o Úá Ě -f@”y•.Áÿ& ý K= 8] Wf c Ъ^]ñK Y X] gi {ZM] ÑYeL4xU¥b ´r Q a *Ě@J @* 8%-Ž4•(Tœ¥b* <÷ K% Je4xU¥b~&</p>	<p>F 8%* <.H %Ba -' }s—TÚá Ě & 8] Wf c Ъ^]ñK Y X] gi {ZM] ÑYeL4xU¥b ´r Q a *Ě@J @* 8%-Ž4•(Tœ¥b* <÷ K% Je4xU¥b~&</p>
	F : %*	F 8%* < H! S S')
		PP
	1 P	1 P
		, &)
		ô" Úá
		a f
		(PEDU WR PEDU
		‡•8+9 ? ¼k®
		8] Wf c Ъ^]ñK Y B e4xU¥b
		<p>"4qœn4i™¥÷Tr%oq4 i•‡z--¶ kxuf4"4q4 ý •V^œu{Ž4•(Tœ¥b œij</p>



$\sqrt{\text{Ra } 0.8}$ (✓)
 $\swarrow \begin{matrix} +0.2 \\ +0.1 \end{matrix}$
 $\searrow \begin{matrix} -0.1 \\ -0.2 \end{matrix}$

Material: All UHV compatible		nominal $\leq 30\text{mm}$	DIN ISO 2768-f-H
		dimensions $> 30\text{mm}$	DIN ISO 2768-m-K excluding Sym./Runout
Miniature Rotary Feedthrough DN16CF		Sym./Runout $> 30\text{mm}$	DIN ISO 2768-H
		formed part dimensions	DIN ISO 2768-f-H
Scale	Drawn	M. Müller	
	Date	08.01.2020	
	Changed	
Ferrovac GmbH		RF16	
CH-8050 Zurich		A4 sheet 1/1	
Rev.	A		

THE INFORMATION CONTAINED IN THIS
 DRAWING IS THE SOLE PROPERTY OF
 FERROVAC GMBH. ANY REPRODUCTION
 IN PART OR AS WHOLE WITHOUT OUR
 PERMISSION IS PROHIBITED.



Specifications:

bakeout temperature max. 150°
 He leak rate < 1.0 x 10⁻¹⁰ mbar
 continuous rotation
 torque 1.0 Nm

Material: all UHV compatible		nominal	over	1	6	30	100	300	1000
Rotary feedthrough with high torque magnet		dimension up to		6	30	100	300	1000	2000
RD		tolerance ±		0.05	0.1	0.3	0.5	0.8	1.2
		Scale	Drawn	Denys Sutter					
			Date	19.06.2013					
			changed	14.03.2017SM					
Ferrovac GmbH		1:1		RD16HT					
CH-8050 Zurich		(2:1)							
THE INFORMATION CONTAINED IN THIS DRAWING IS THE SOLE PROPERTY OF FERROVAC GMBH. ANY REPRODUCTION IN PART OR AS WHOLE WITHOUT OUR PERMISSION IS PROHIBITED.		Rev.	B	sheet 1/1					