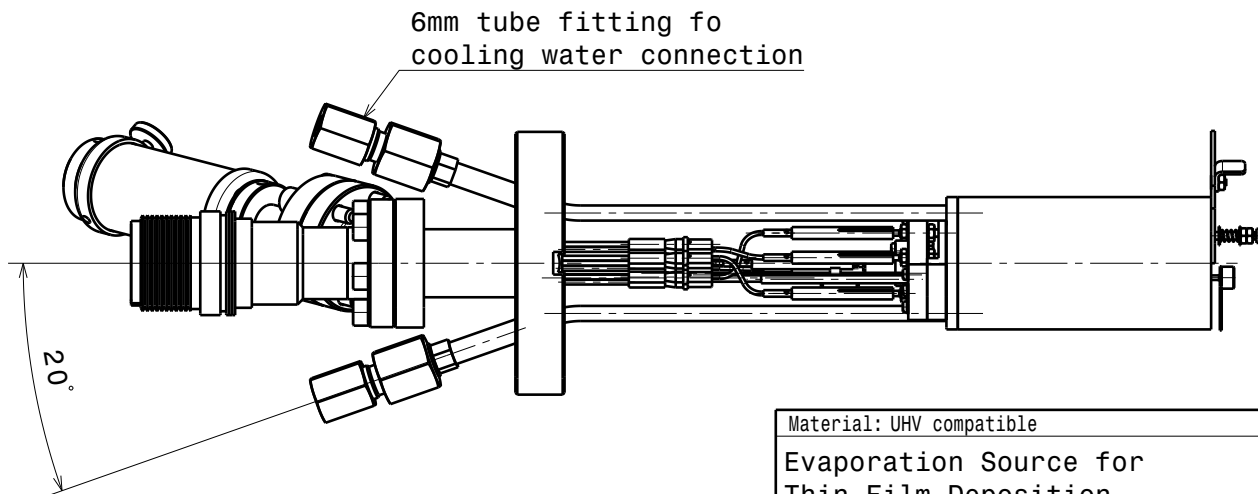
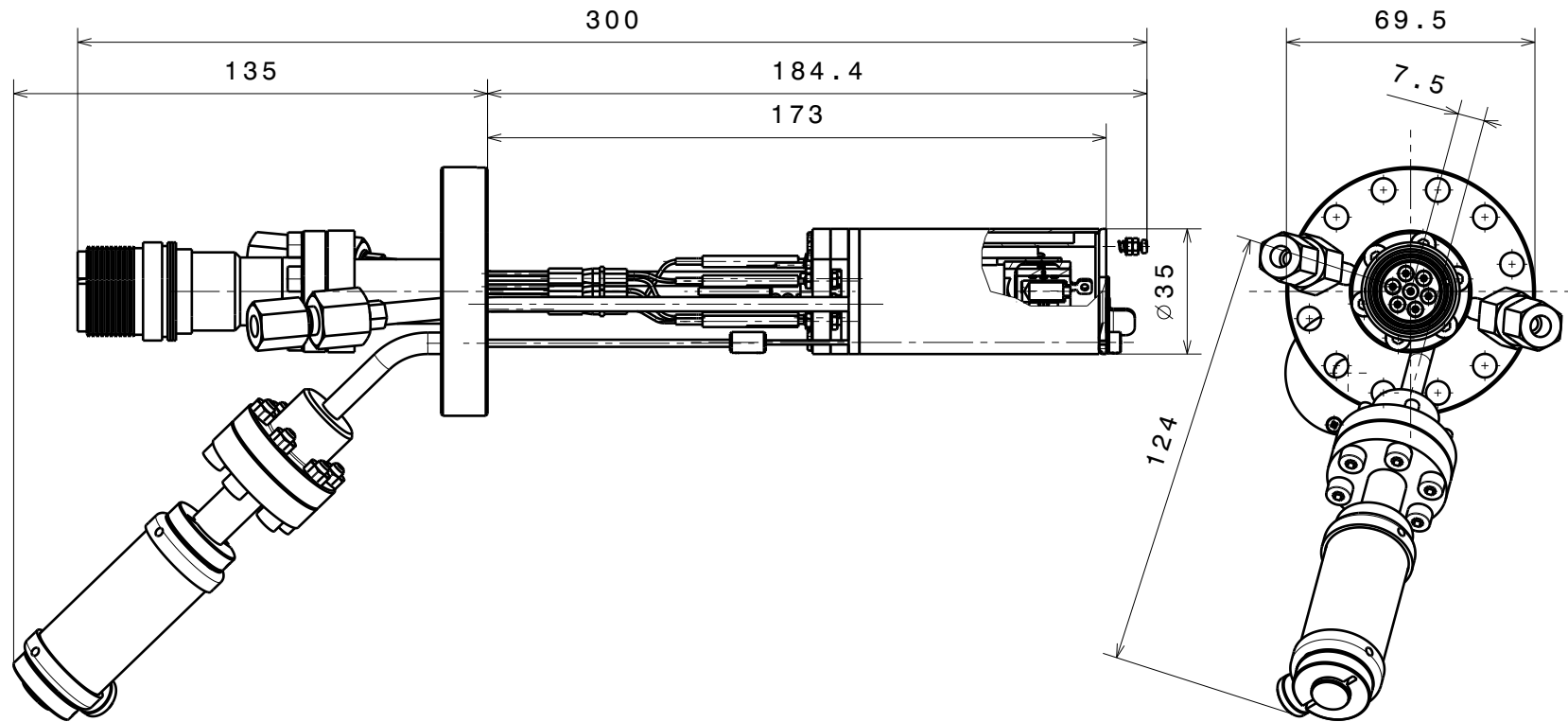
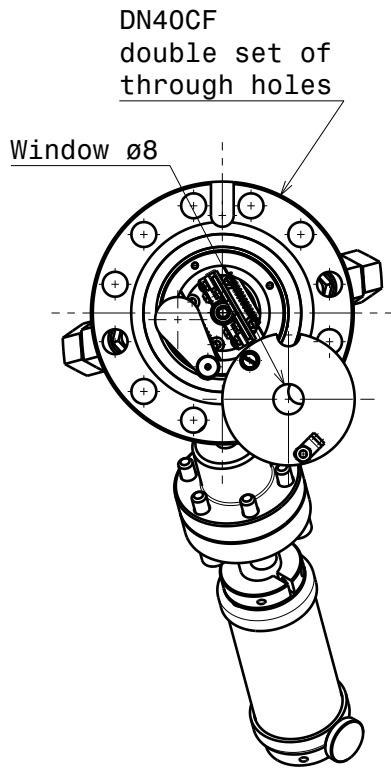
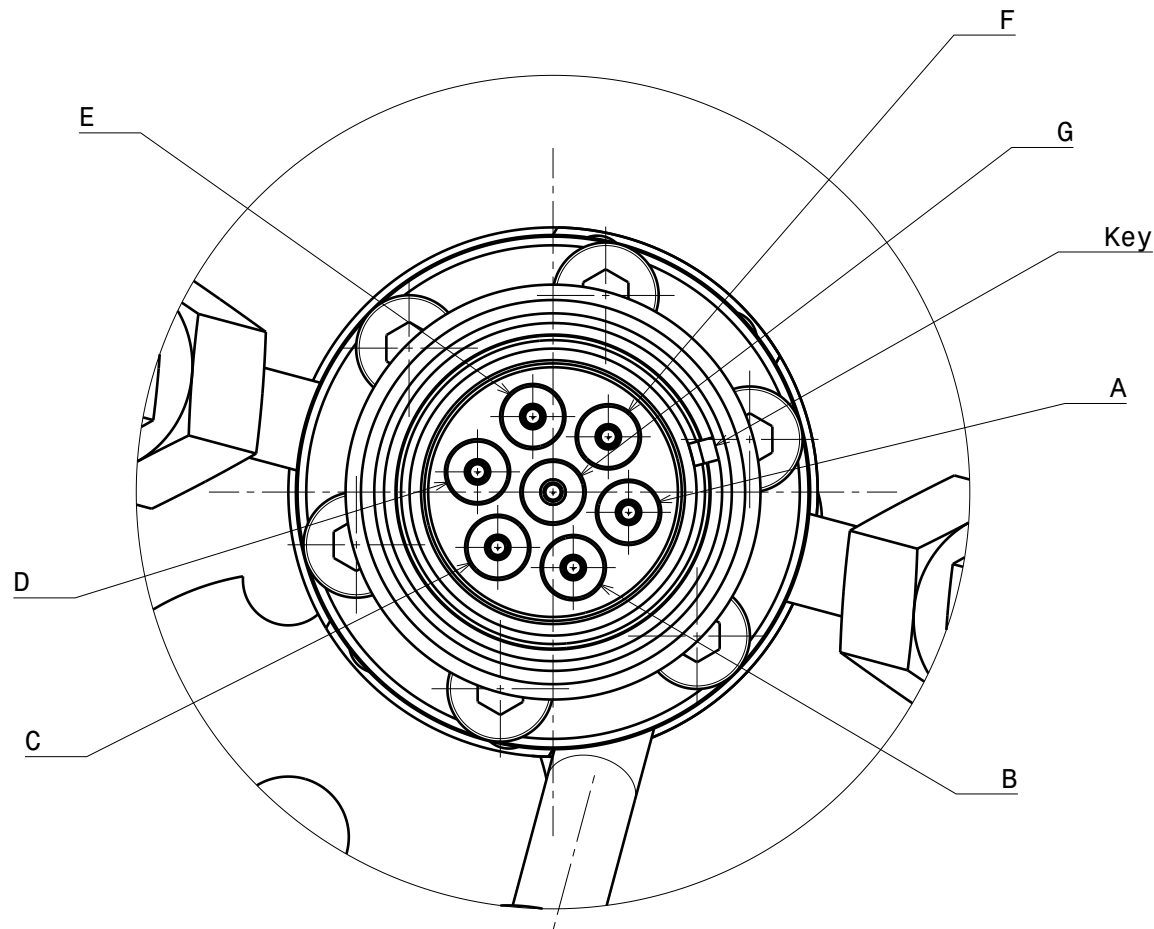


Material: UHV compatible		nominal	over	1	6	30	100	300	1000
Evaporation Source for Thin Film Deposition (Sample Holder for crucible)		dimension up to		6	30	100	300	1000	2000
		tolerance ±		0.05	0.1	0.3	0.5	0.8	1.2
		Scale	Drawn	S.Michels					
			Date	04.10.2016					
			changed					
Ferrovac GmbH CH-8050 Zurich		THE INFORMATION CONTAINED IN THIS DRAWING IS THE SOLE PROPERTY OF FERROVAC GMBH. ANY REPRODUCTION IN PART OR AS WHOLE WITHOUT OUR PERMISSION IS PROHIBITED.		1:2		EVEX40			
Rev.	A			sheet 1/3					

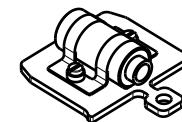
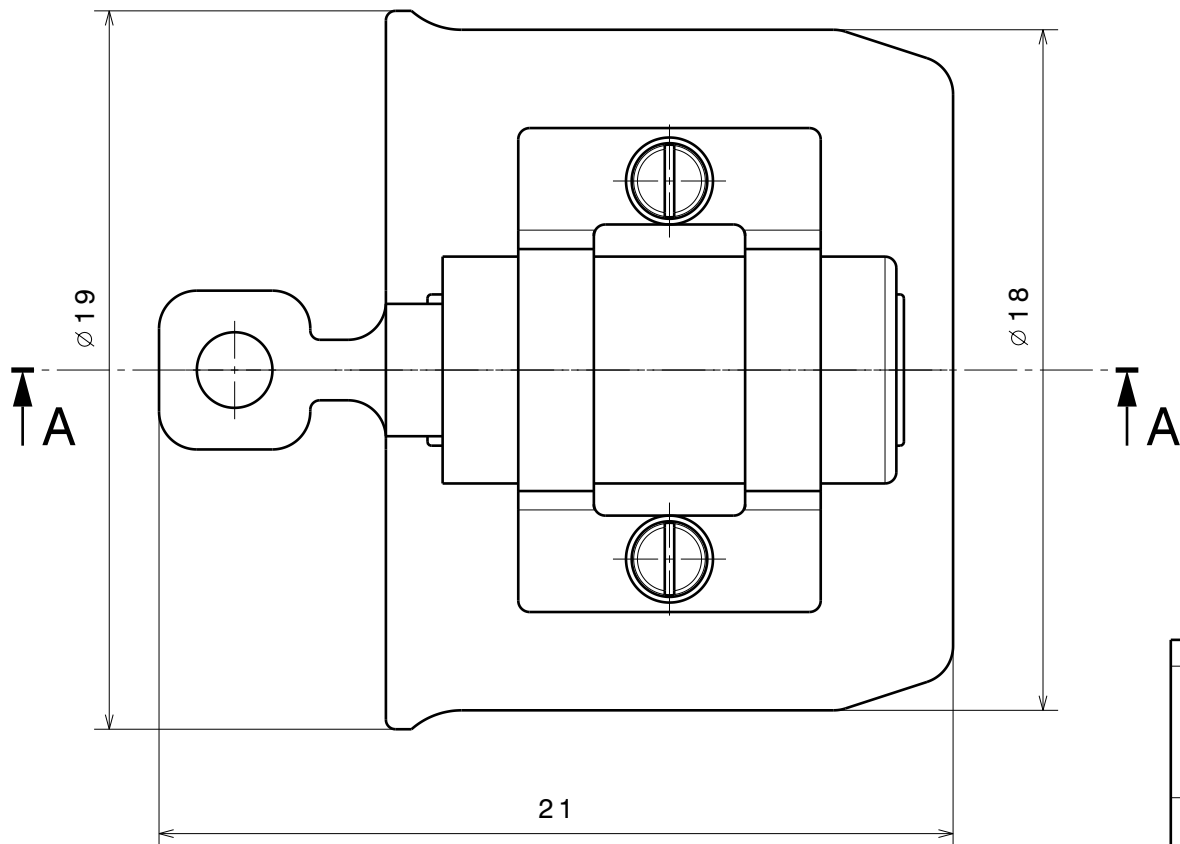
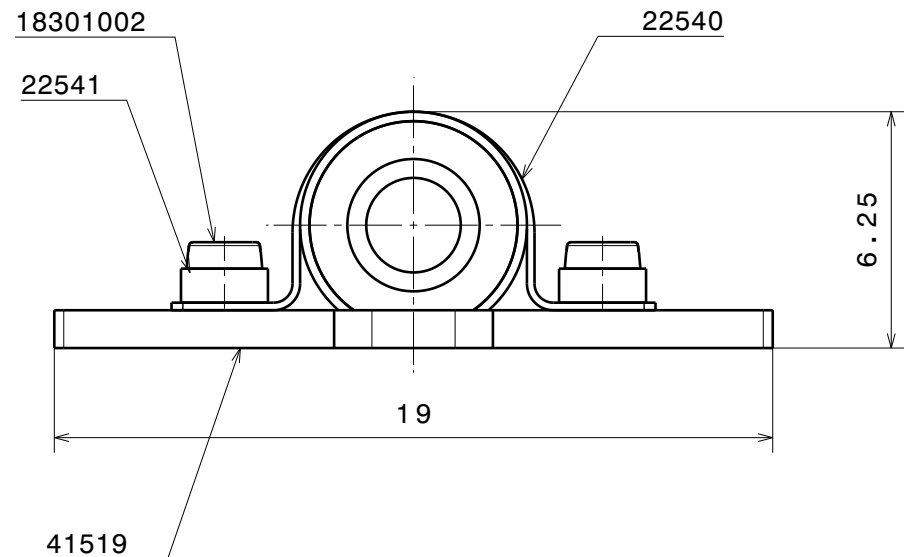
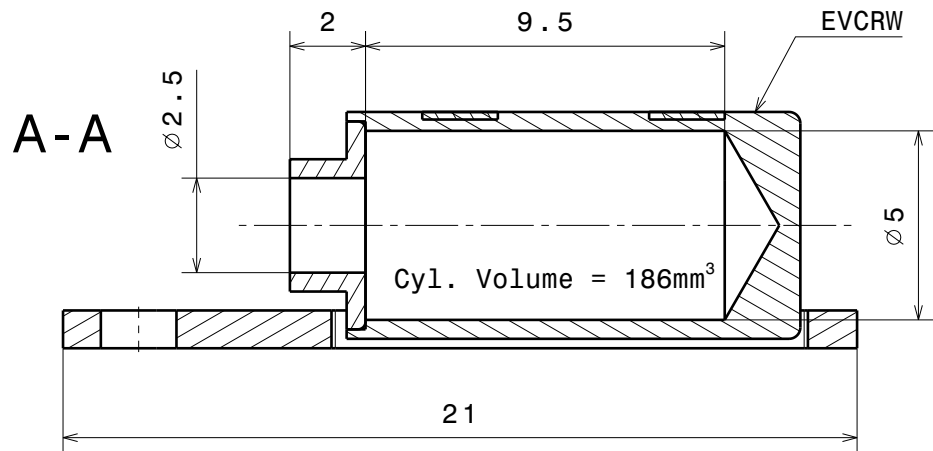


Material: UHV compatible		nominal	over	1	6	30	100	300	1000
Evaporation Source for Thin Film Deposition (Sample Holder for crucible)		dimension up to		6	30	100	300	1000	2000
		tolerance \pm		0.05	0.1	0.3	0.5	0.8	1.2
		Scale	Drawn	S.Michels					
			Date	04.10.2016					
			changed					
Ferrovac GmbH CH-8050 Zurich		THE INFORMATION CONTAINED IN THIS DRAWING IS THE SOLE PROPERTY OF FERROVAC GMBH. ANY REPRODUCTION IN PART OR AS WHOLE WITHOUT OUR PERMISSION IS PROHIBITED.		1:2		EVEX40 sheet 2/3			
Rev.	A								



Pin	Assignment
A	TC + (Type C) High Voltage!
B	Filament 1 (Top Heat)
C	Filament 2 (Under Heat)
D	TC - (Type C) High Voltage!
E	Filament 1 (Top Heat)
F	Filament 2 (Under Heat)
G	High Voltage

Material: UHV compatible		nominal	over	1	6	30	100	300	1000
Evaporation Source for Thin Film Deposition (Sample Holder for crucible)		dimension up to	6	30	100	300	1000	2000	
		tolerance ±	0.05	0.1	0.3	0.5	0.8	1.2	
Scale		Drawn	S.Michels						
		Date	04.10.2016						
1:2		changed						
		Ferrovac GmbH CH-8050 Zurich		<small>THE INFORMATION CONTAINED IN THIS DRAWING IS THE SOLE PROPERTY OF FERROVAC GMBH. ANY REPRODUCTION IN PART OR AS WHOLE WITHOUT OUR PERMISSION IS PROHIBITED.</small>		EVEX40 sheet 3/3			
Rev.	A								



1:1



general tolerances ISO 2768-K

Material: UHV compatible	nominal	over	1	6	30	100	300	1000
	dimension up to		6	30	100	300	1000	2000
Sample Holder for crucible	tolerance	±	0.05	0.1	0.3	0.5	0.8	1.2
	Scale	Drawn	S. Michels					
RECOMEVEX		Date	03.10.2016					
		changed					
Ferrovac GmbH CH-8050 Zurich	THE INFORMATION CONTAINED IN THIS DRAWING IS THE SOLE PROPERTY OF FERROVAC GMBH. ANY REPRODUCTION IN PART OR AS WHOLE WITHOUT OUR PERMISSION IS PROHIBITED.							
	Rev.	A						
	Scale		5:1					
	SHOMEVCRW							