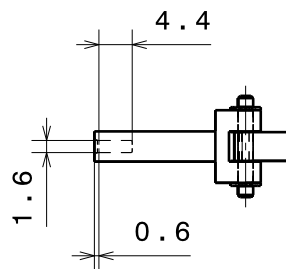
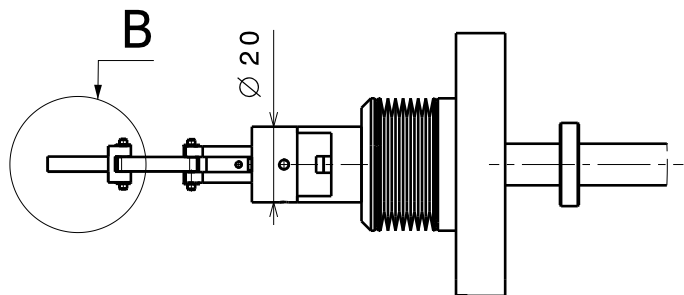
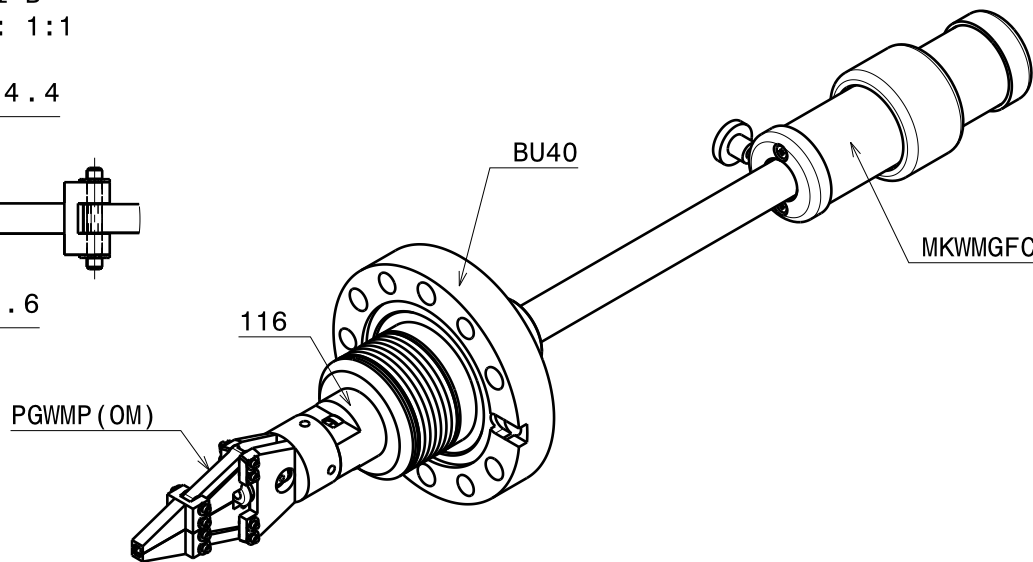
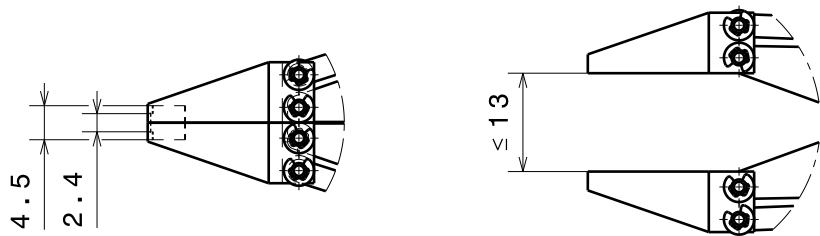


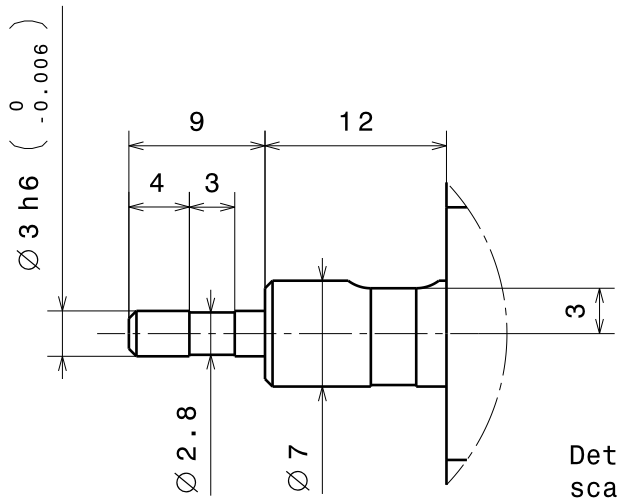
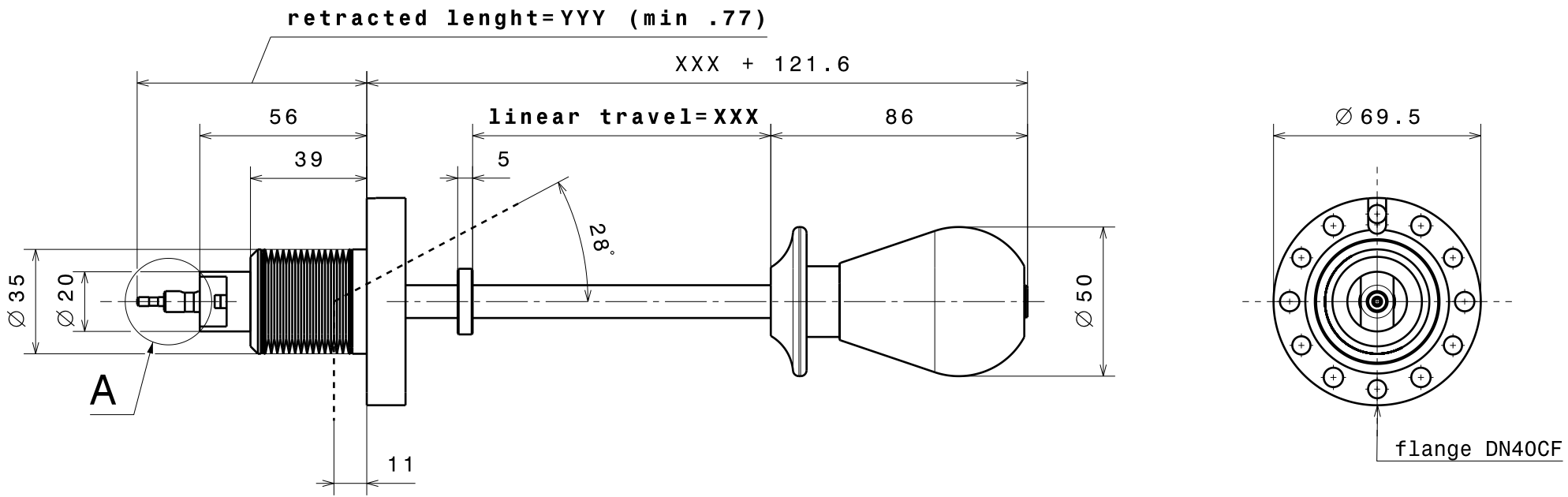
Detail B
scale: 1:1



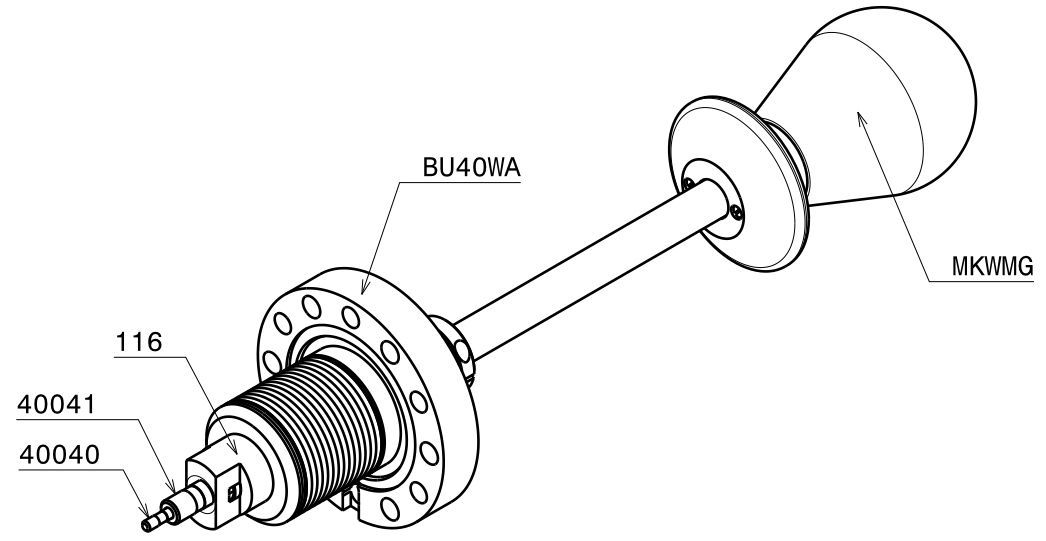
Detail A
Maßstab: 1:1



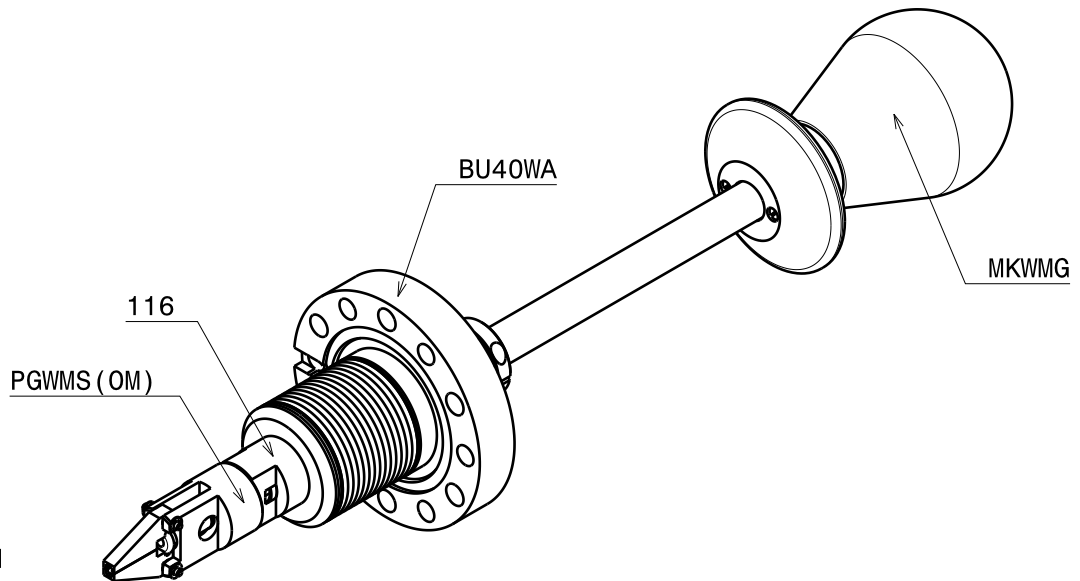
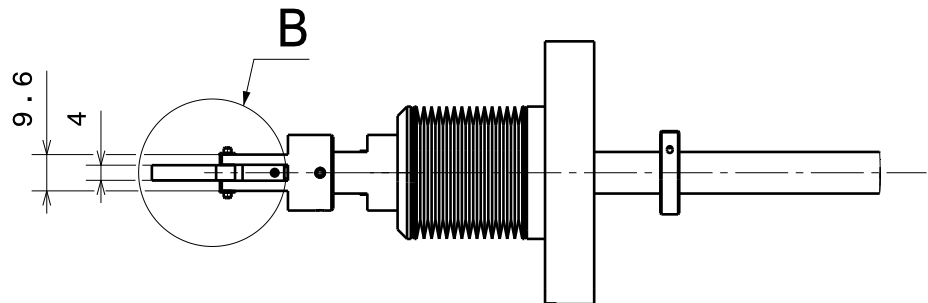
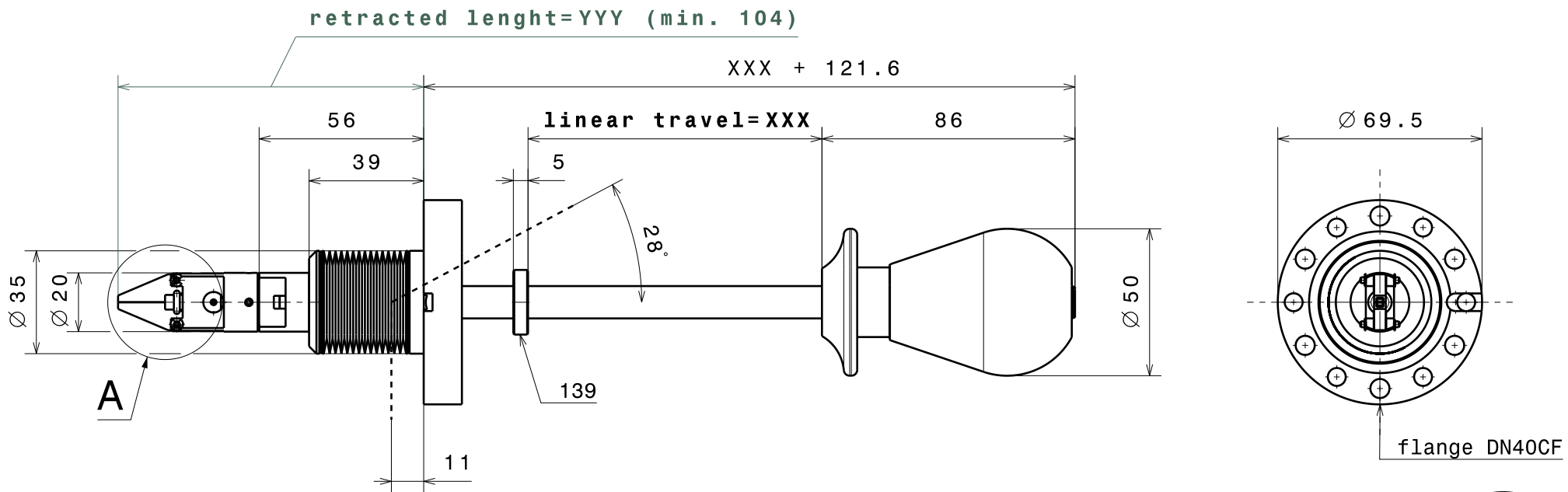
| | | | | | | | | |
|--|------------|------------|-------------------------------------|-----|-----|-----|------|------|
| Material: fully UHV compatible materials | Nennmass | über | 1 | 6 | 30 | 100 | 300 | 1000 |
| | bis | | 6 | 30 | 100 | 300 | 1000 | 2000 |
| WMG40 (FC) - XXX - YYY - PGWMP (OM) | Toleranz | ± | 0.05 | 0.1 | 0.3 | 0.5 | 0.8 | 1.2 |
| | Masstab | gezeichnet | B. Guebeli | | | | | |
| | | Datum | 25.01.2010 | | | | | |
| | | geändert | | | | | | |
| Ferrovac GmbH CH-8050 Zürich | 1:2 | | WMG40 (FC) - XXX - YYY - PGWMP (OM) | | | | | |



Detail A
scale: 2:1

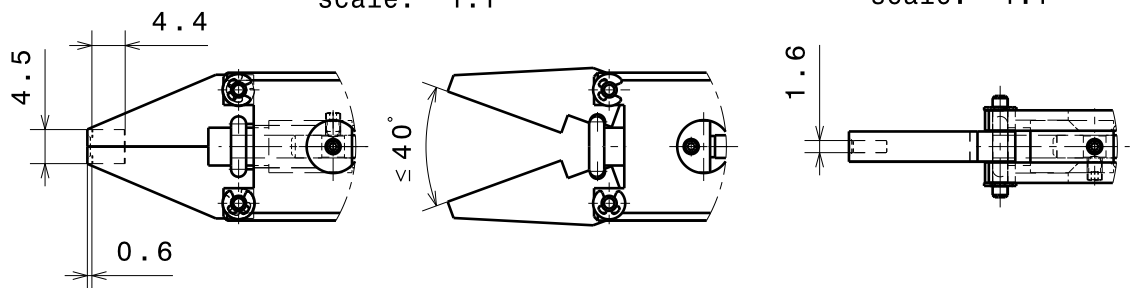


| | | | | | | | | |
|--|----------|------------|-----------------------|-----|-----|-----|------|------|
| Material: fully UHV compatible materials | Nennmass | über | 1 | 6 | 30 | 100 | 300 | 1000 |
| | | bis | 6 | 30 | 100 | 300 | 1000 | 2000 |
| WMGWA40-XXX-YYY | Toleranz | ± | 0.05 | 0.1 | 0.3 | 0.5 | 0.8 | 1.2 |
| | | Masstab | gezeichnet B. Guebeli | | | | | |
| 1:2 | Datum | 25.01.2010 | | | | | | |
| | | geändert | | | | | | |
| Ferrovac GmbH | | | WMGWA40-XXX-YYY | | | | | |
| CH-8050 Zürich | | | | | | | | |



Detail A
scale: 1:1

Detail B
scale: 1:1

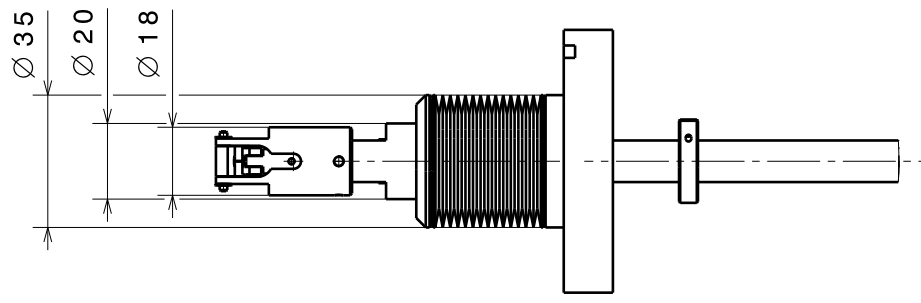
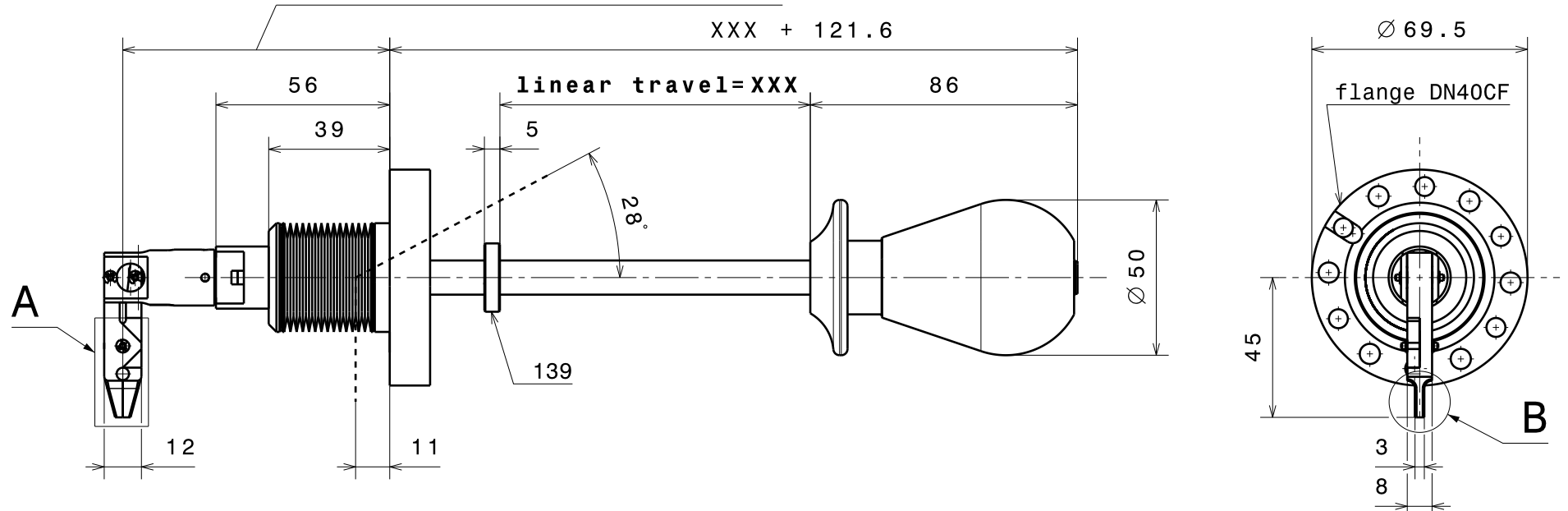


| | | | | | | | | |
|--|------------|------------|--------------------|-----|-----|-----|------|------|
| Material: fully UHV compatible materials | Nennmass | über | 1 | 6 | 30 | 100 | 300 | 1000 |
| WMGWA40-PGWMS (OM) | bis | | 6 | 30 | 100 | 300 | 1000 | 2000 |
| | Toleranz | ± | 0.05 | 0.1 | 0.3 | 0.5 | 0.8 | 1.2 |
| | Masstab | gezeichnet | B. Guebeli | | | | | |
| | | Datum | 26.01.2010 | | | | | |
| | | geändert | | | | | | |
| Ferrovac GmbH CH-8050 Zürich | 1:2 | | WMGWA40-PGWMS (OM) | | | | | |

retracted length=YYY (min. 86)

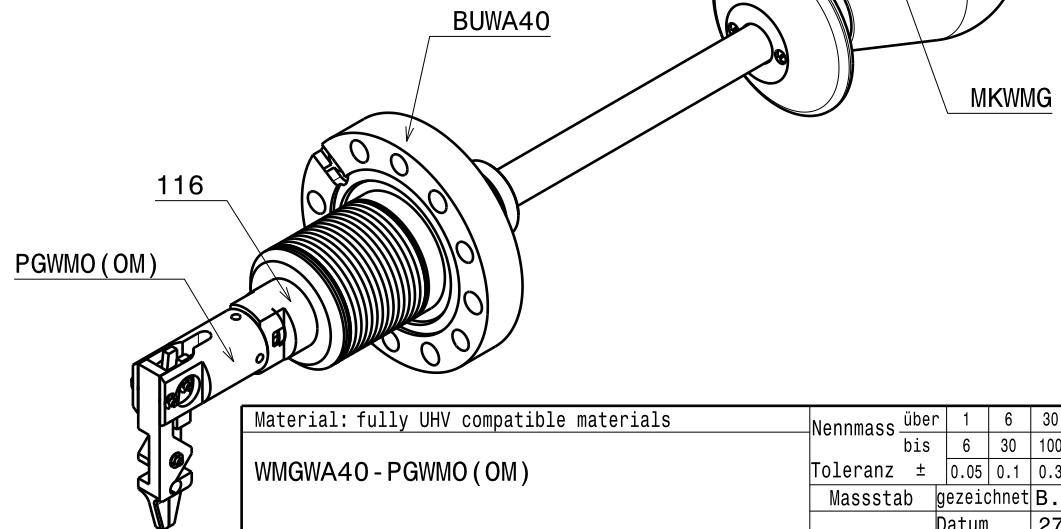
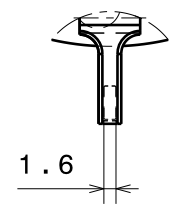
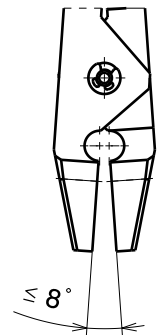
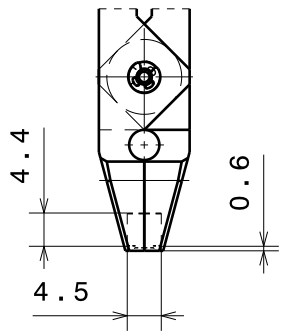
XXX + 121.6

linear travel=XXX

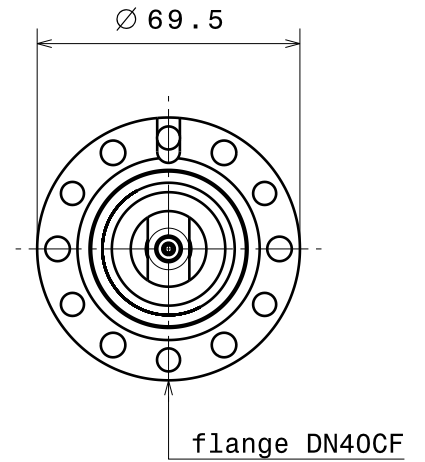
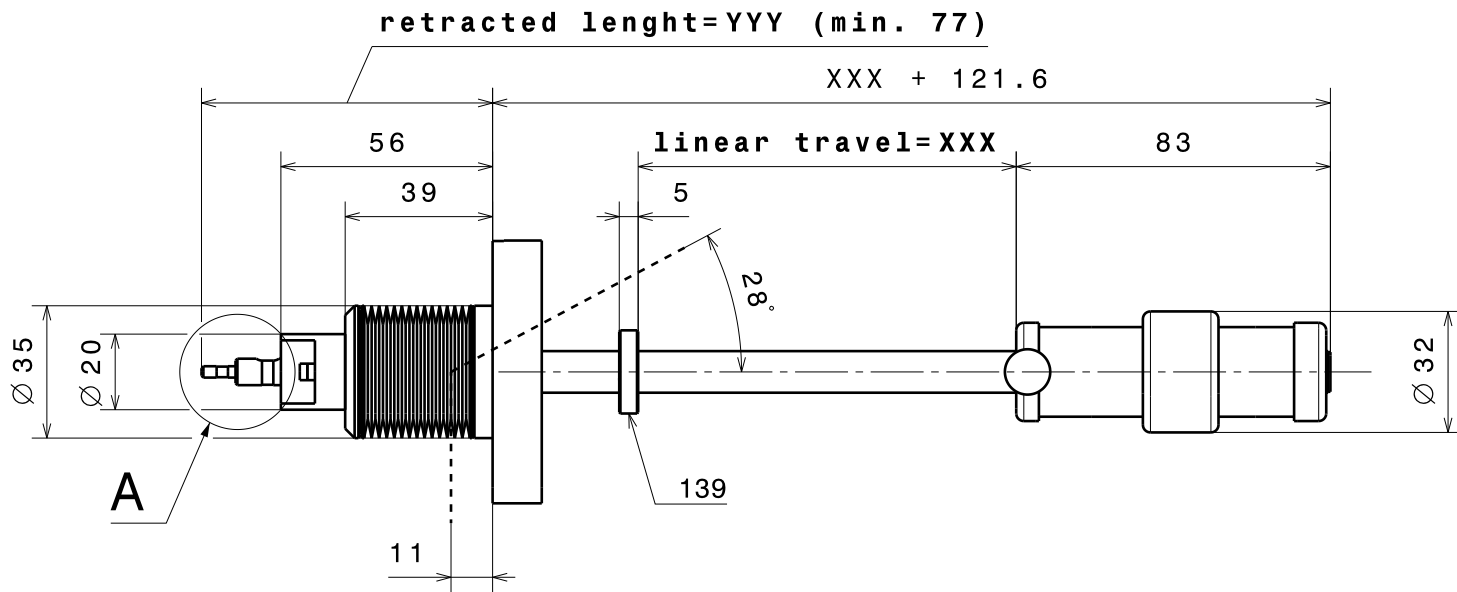


Detail A
scale: 1:1

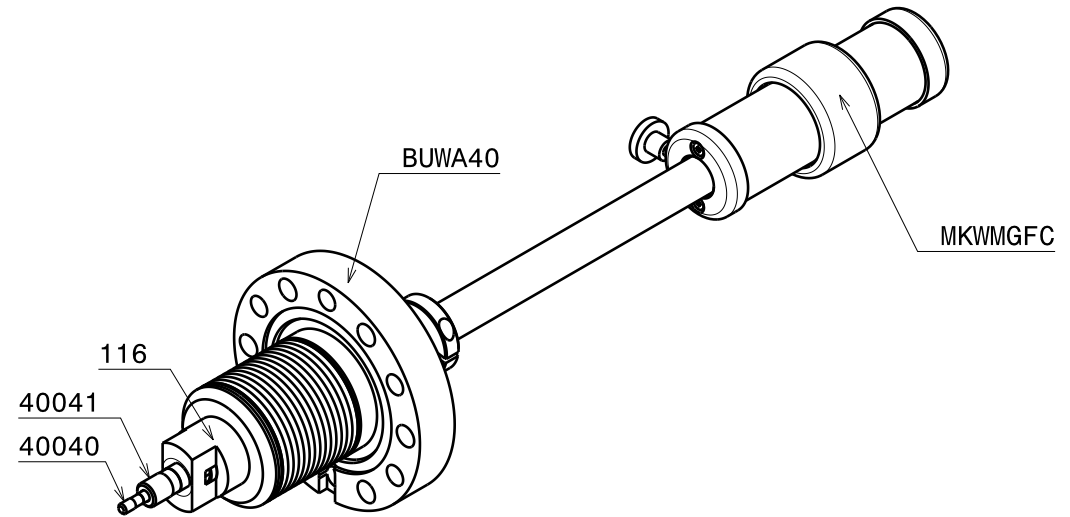
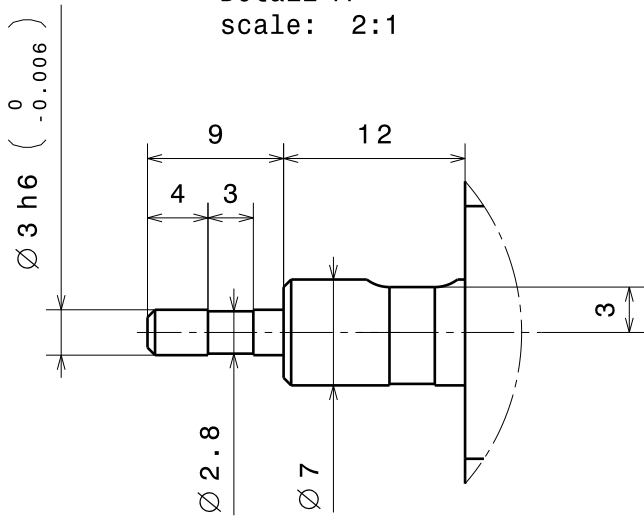
Detail B
scale: 1:1



| | | | | | | | |
|--|-------------------|-----------------------|-----|-----|-----|------|------|
| Material: fully UHV compatible materials | Nennmass über bis | 1 | 6 | 30 | 100 | 300 | 1000 |
| | | 6 | 30 | 100 | 300 | 1000 | 2000 |
| WMGWA40-PGWMO (OM) | Toleranz ± | 0.05 | 0.1 | 0.3 | 0.5 | 0.8 | 1.2 |
| | Masstab | gezeichnet B. Guebeli | | | | | |
| | | Datum 27.01.2010 | | | | | |
| | | geändert | | | | | |
| Ferrovac GmbH CH-8050 Zürich | 1:2 | WMGWA40-PGWMO (OM) | | | | | |



Detail A
scale: 2:1

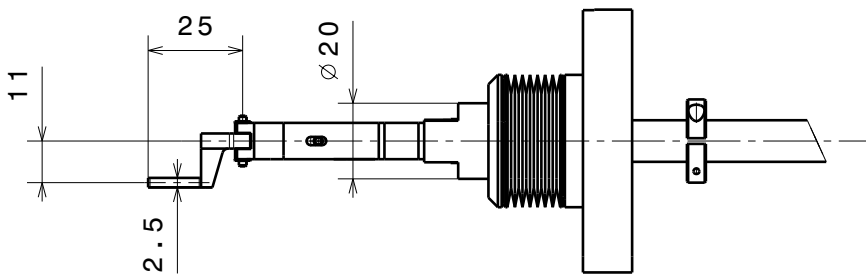
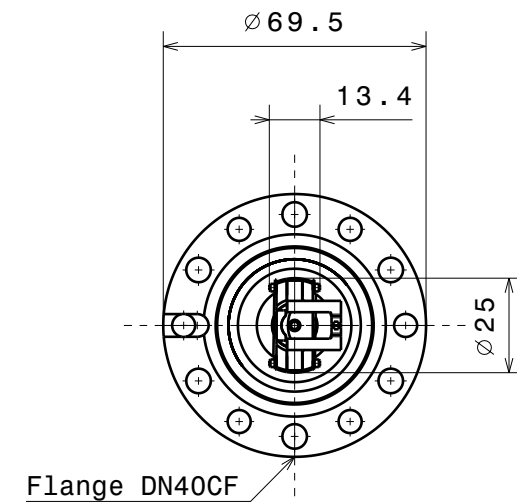
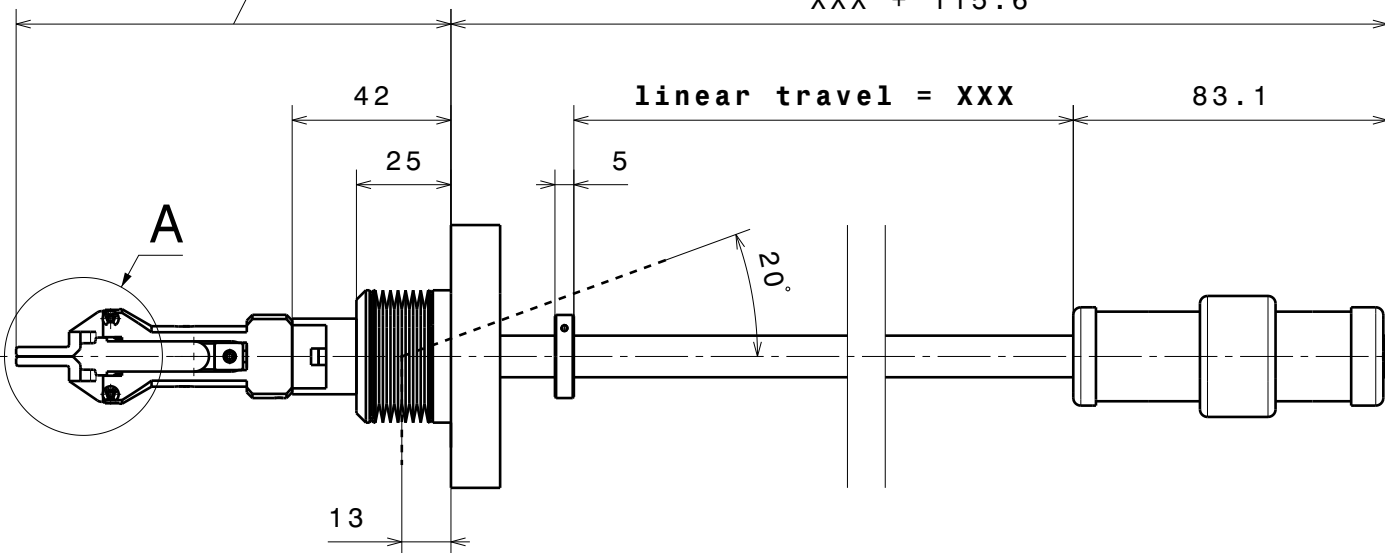


| | | | | | | | | |
|--|------------|------------|---------------------------|-----|-----|-----|------|------|
| Material: fully UHV compatible materials | Nennmass | über | 1 | 6 | 30 | 100 | 300 | 1000 |
| | bis | | 6 | 30 | 100 | 300 | 1000 | 2000 |
| WMGWA40 (FC) -XXX-YYY | Toleranz | ± | 0.05 | 0.1 | 0.3 | 0.5 | 0.8 | 1.2 |
| | Masstab | gezeichnet | B.Guebeli | | | | | |
| | | Datum | 27.01.2010 | | | | | |
| | | geändert | | | | | | |
| Ferrovac GmbH CH-8050 Zürich | 1:2 | | WMGWA40 (FC) - XXX-YYY | | | | | |

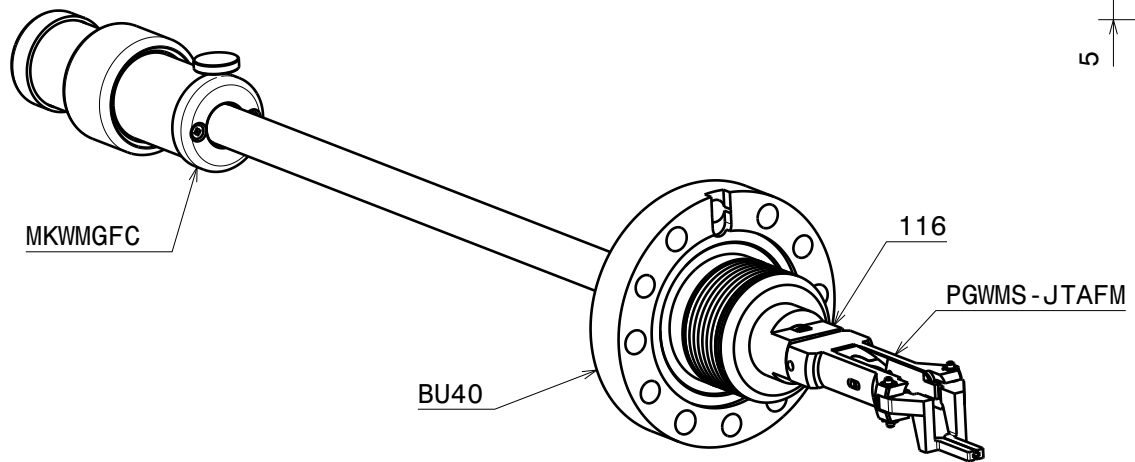
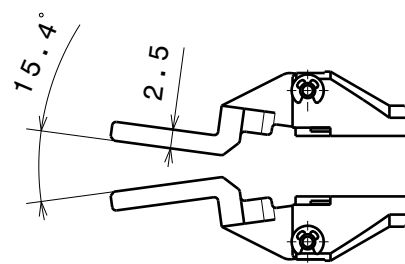
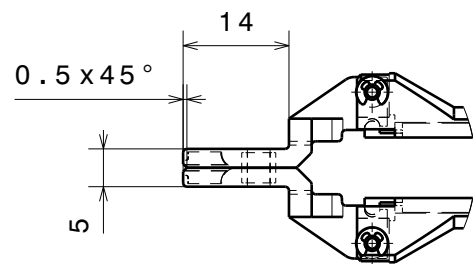
retracted length = YYY (min. 115)

XXX + 115.6

linear travel = XXX



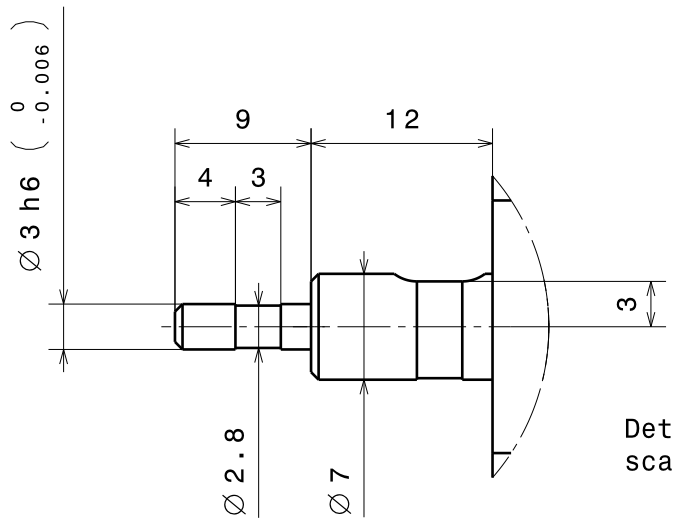
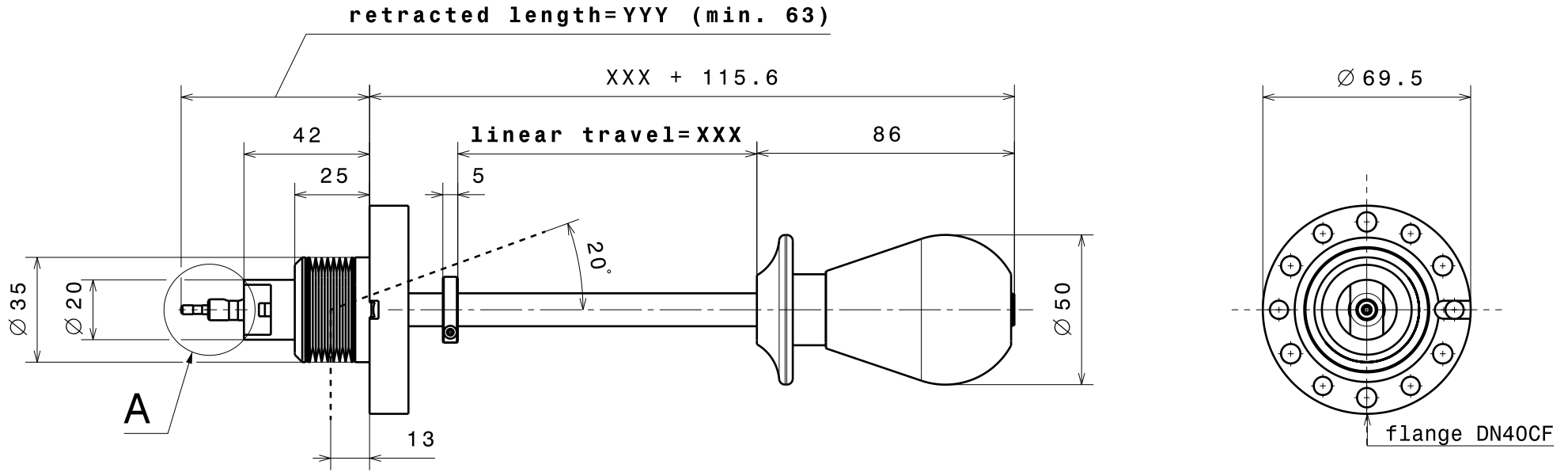
Detail A
Maßstab: 1:1



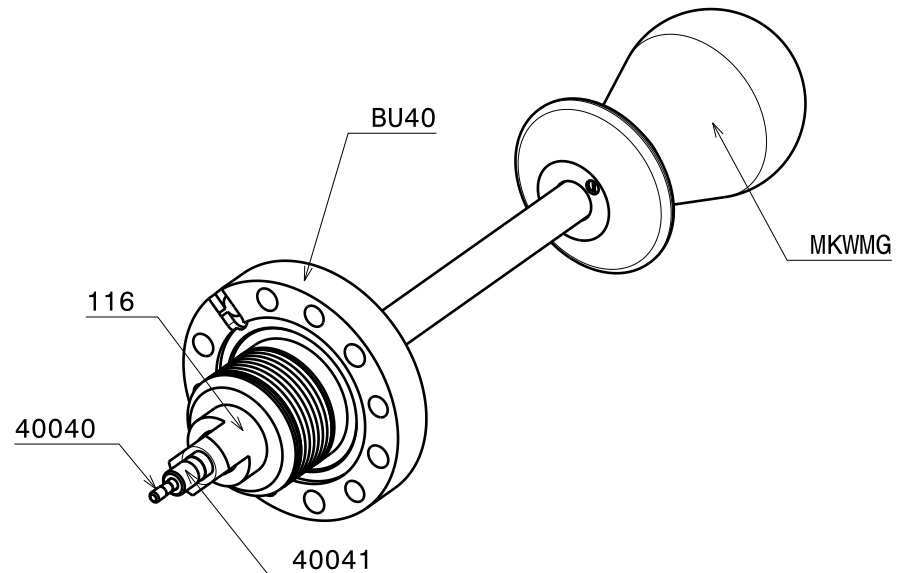
∇ Ra 0.8 (✓)
 ∇ +0.2 / +0.1
 ∇ -0.1 / -0.2

| | | |
|--|------------------------|---|
| Material: all materials fully UHV compatible | nominal ≤ 30 mm | DIN ISO 2768-f-H |
| | dimensions > 30 mm | DIN ISO 2768-m-K excluding Sym./Runout |
| WMG40 (FC) - PGWMS-JTAFM-3-A001 | Sym./Runout > 30 mm | DIN ISO 2768-H |
| | formed part dimensions | DIN ISO 2768-f-H |
| WMG | Scale | Drawn J. Buechi |
| | 1:2 | Date 07.03.2018 |
| Ferrovac GmbH CH-8050 Zurich | (1:1) | Changed |
| | Rev. A | WMG40 (FC) - PGWMS-JTAFM-3-A001 A4 sheet 1/1 |

THE INFORMATION CONTAINED IN THIS DRAWING IS THE SOLE PROPERTY OF FERROVAC GMBH. ANY REPRODUCTION IN PART OR AS WHOLE WITHOUT OUR PERMISSION IS PROHIBITED.



Detail A
scale: 2:1



| | | | | | | | |
|--|-------------------|---------------------|-----|-----|-----|------|------|
| Material: fully UHV compatible materials | Nennmass über bis | 1 | 6 | 30 | 100 | 300 | 1000 |
| | | 6 | 30 | 100 | 300 | 1000 | 2000 |
| WMG40-XXX-YYY | Toleranz ± | 0.05 | 0.1 | 0.3 | 0.5 | 0.8 | 1.2 |
| | Masstab | gezeichnet U. Maier | | | | | |
| | Datum | 17.12.2009 | | | | | |
| | geändert | 25.01.10 BG | | | | | |
| Ferrovac GmbH CH-8050 Zürich | 1:2 | WMG40-XXX-YYY | | | | | |