

scale 5:1

$\sqrt{\text{Ra } 0.8}$ (✓) $\begin{matrix} +0.2 \\ +0.1 \end{matrix}$ $\begin{matrix} -0.1 \\ -0.2 \end{matrix}$
 general tolerances ISO 2768-K

Material: all materials uhv compatible

Receiver for SHOME C13
Slim Version

with 13 electrical contacts

Ferrovac GmbH
CH-8050 Zurich

THE INFORMATION CONTAINED IN THIS DRAWING IS THE SOLE PROPERTY OF FERROVAC GMBH. ANY REPRODUCTION IN PART OR AS WHOLE WITHOUT OUR PERMISSION IS PROHIBITED.

nominal dimension	over	1	6	30	100	300	1000
	up to	6	30	100	300	1000	2000
tolerance	±	0.05	0.1	0.3	0.5	0.8	1.2

Scale Drawn C.Weiss

Date 21.06.2017

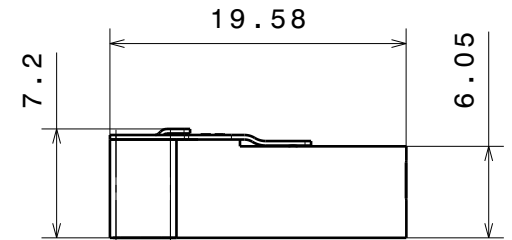
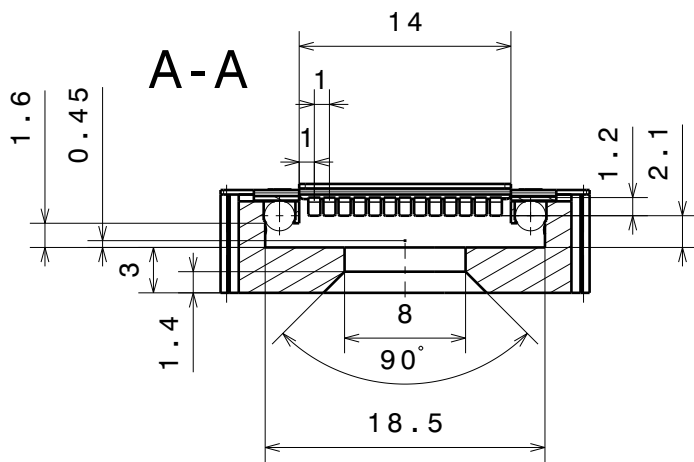
Changed 10.10.2018 CW

5:1

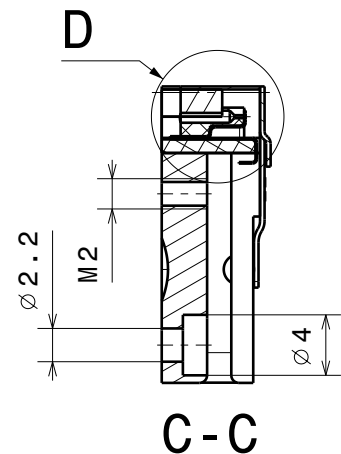
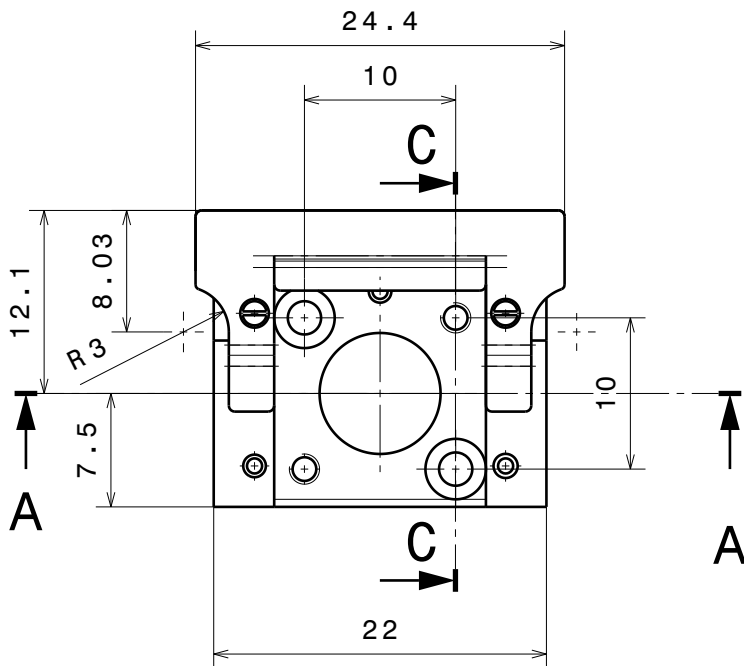
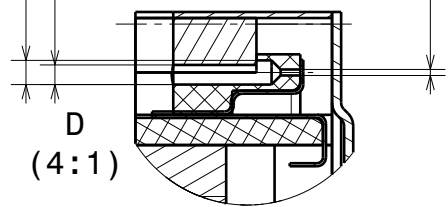
RECOME C13

sheet 1/2

Rev. C



max. outer cabel $\varnothing 0.8$
 min. outer cabel $\varnothing 0.65$
 cross section max. $\varnothing 0.2$



∇ Ra 0.8 (✓) $\begin{matrix} +0.2 \\ +0.1 \end{matrix}$ $\begin{matrix} -0.1 \\ -0.2 \end{matrix}$
 general tolerances ISO 2768-K

Material: all materials uhv compatible

Receiver for SHOME C13
 with 13 electrical contacts

Ferrovac GmbH
 CH-8050 Zurich

THE INFORMATION CONTAINED IN THIS DRAWING IS THE SOLE PROPERTY OF FERROVAC GMBH. ANY REPRODUCTION IN PART OR AS WHOLE WITHOUT OUR PERMISSION IS PROHIBITED.

nominal dimension	over	1	6	30	100	300	1000
	up to	6	30	100	300	1000	2000
tolerance	\pm	0.05	0.1	0.3	0.5	0.8	1.2

Scale Drawn C.Weiss

Date 21.06.2017

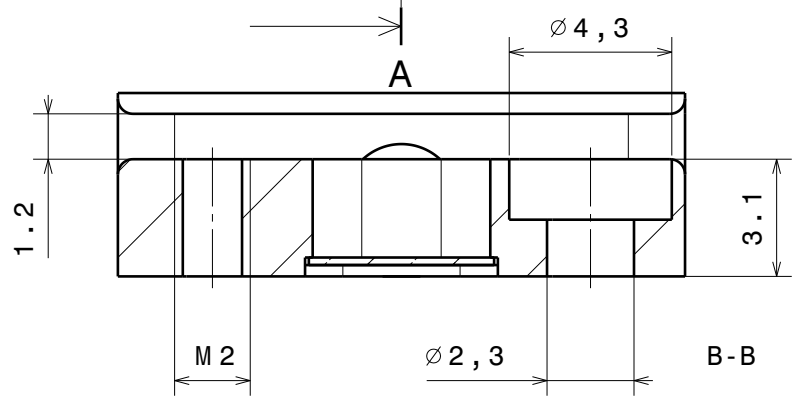
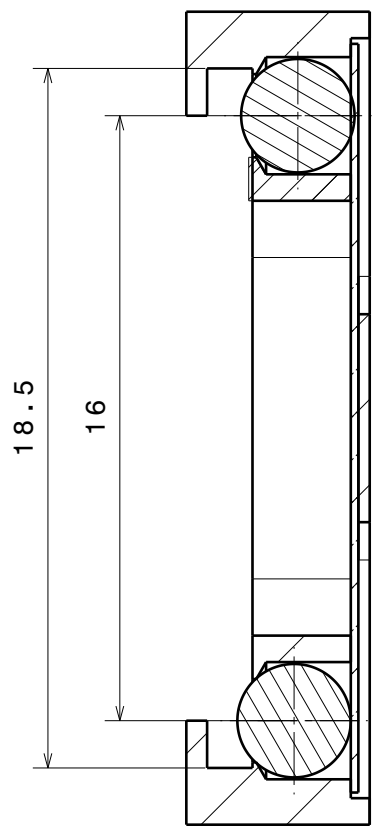
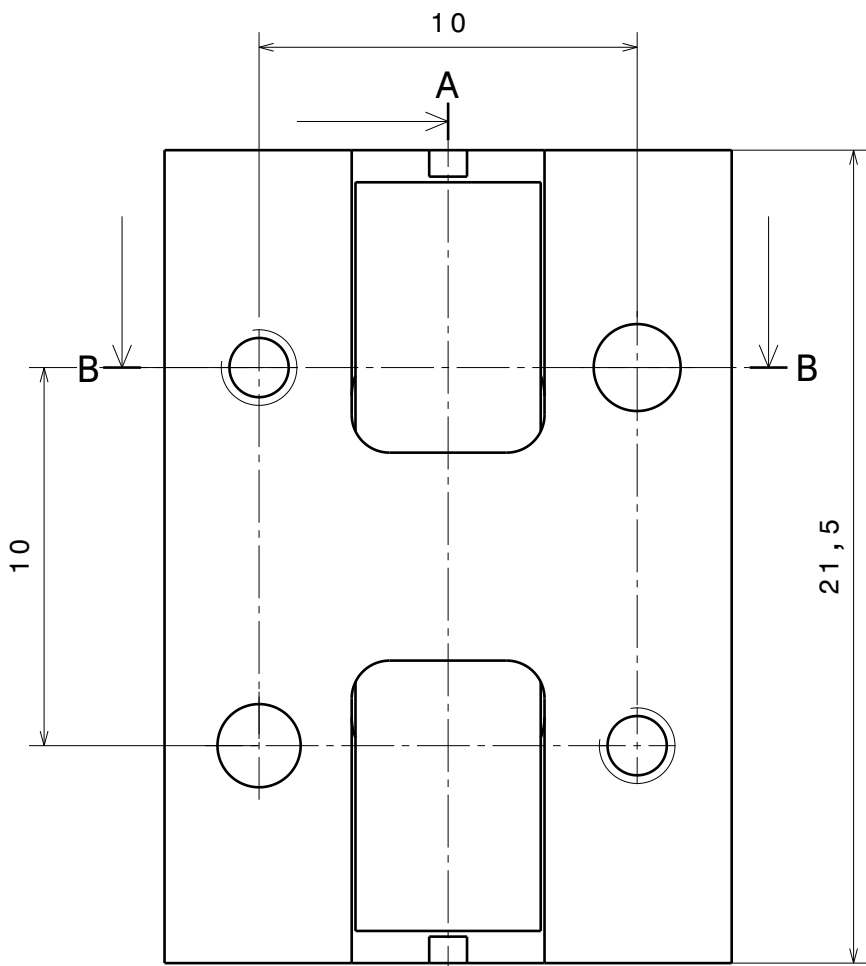
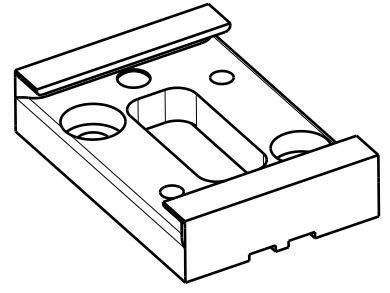
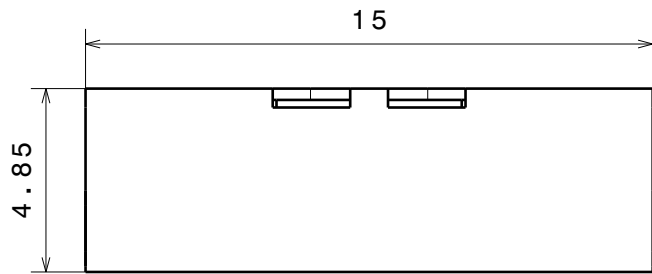
Changed 10.10.2018 CW

2:1

RECOME C13

sheet 2/2

Rev. C



Material: according to order

Receptacle for SHOM sample plates

nominal dimension	over	1	6	30	100	300	1000
	up to	6	30	100	300	1000	2000
tolerance	±	0.05	0.1	0.3	0.5	0.8	1.2

Scale Drawn M. Nyirö

Date 11.10.2010

Revised 14.12.2010 MN

Ferrovac GmbH
CH-8050 Zurich

THE INFORMATION CONTAINED IN THIS DRAWING IS THE SOLE PROPERTY OF FERROVAC GMBH. ANY REPRODUCTION IN PART OR AS WHOLE WITHOUT OUR PERMISSION IS PROHIBITED.

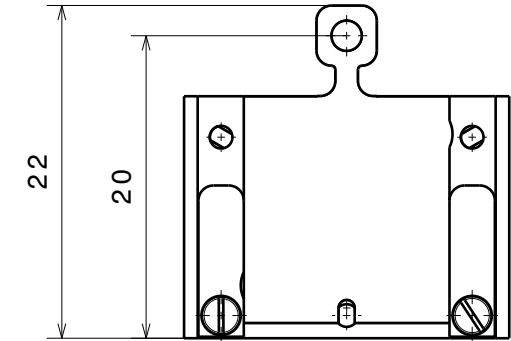
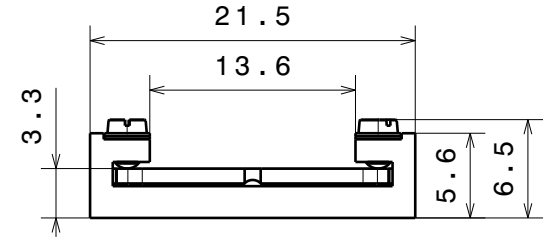
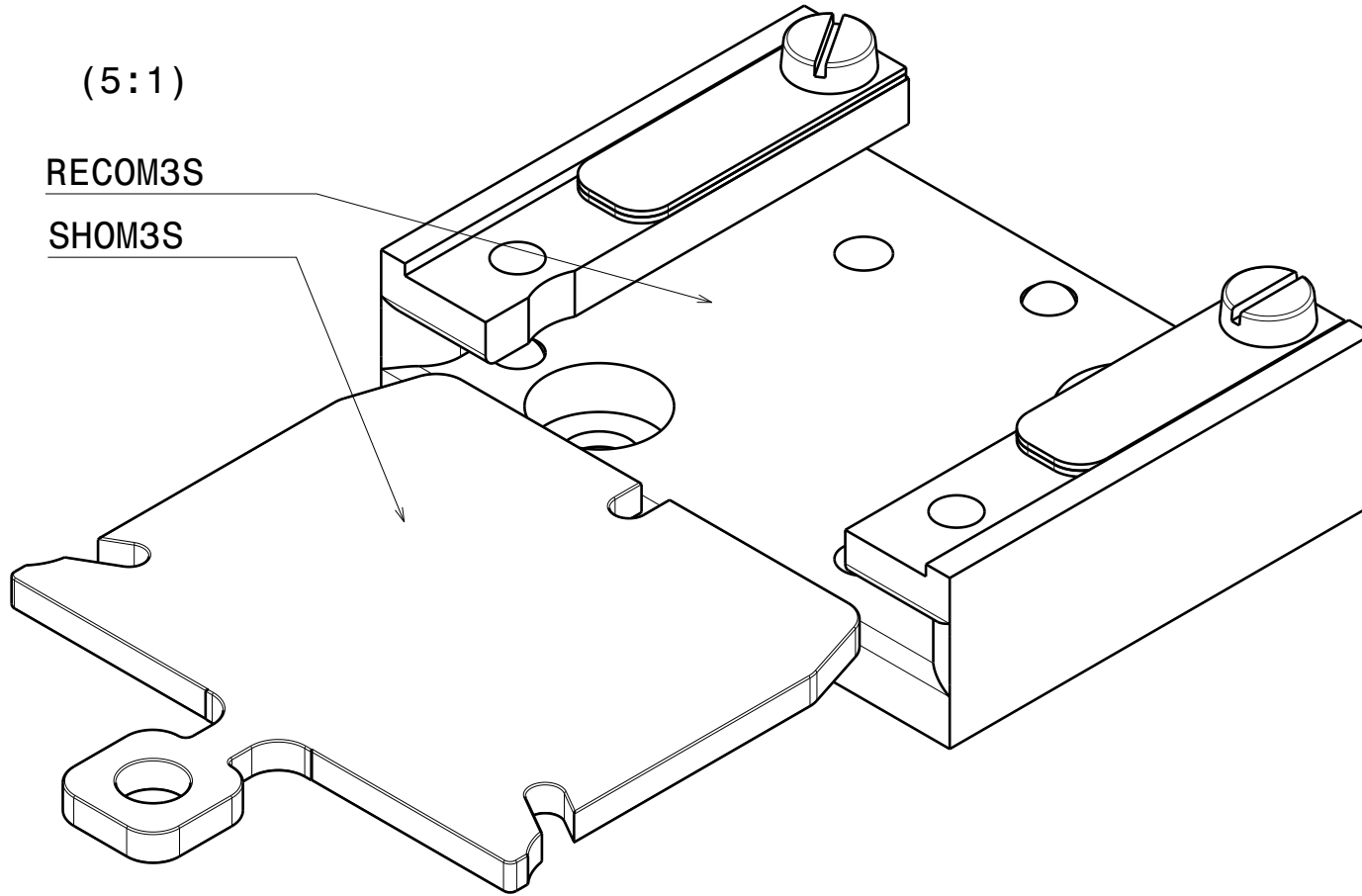
5:1

RECOM
sheet 1/2

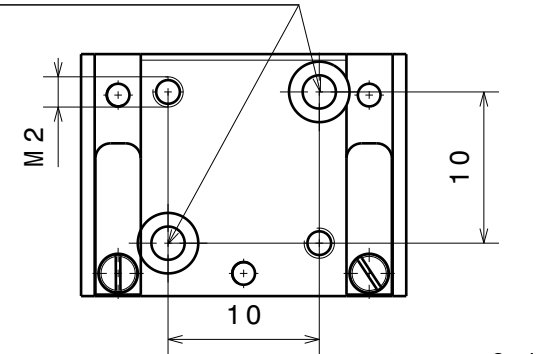
(5:1)

RECOM3S

SHOM3S

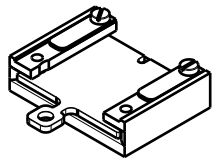


For M2 cheesehead screws



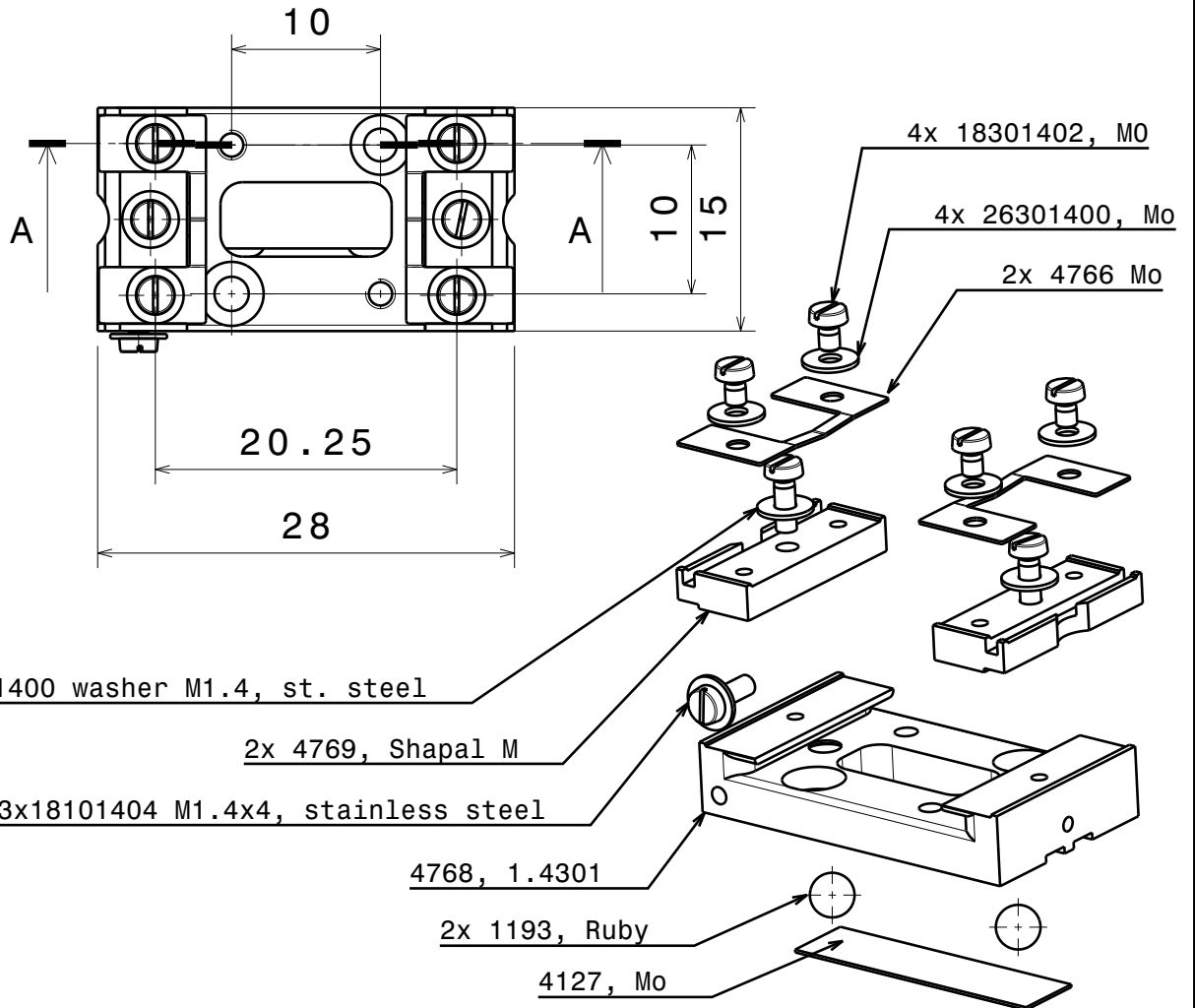
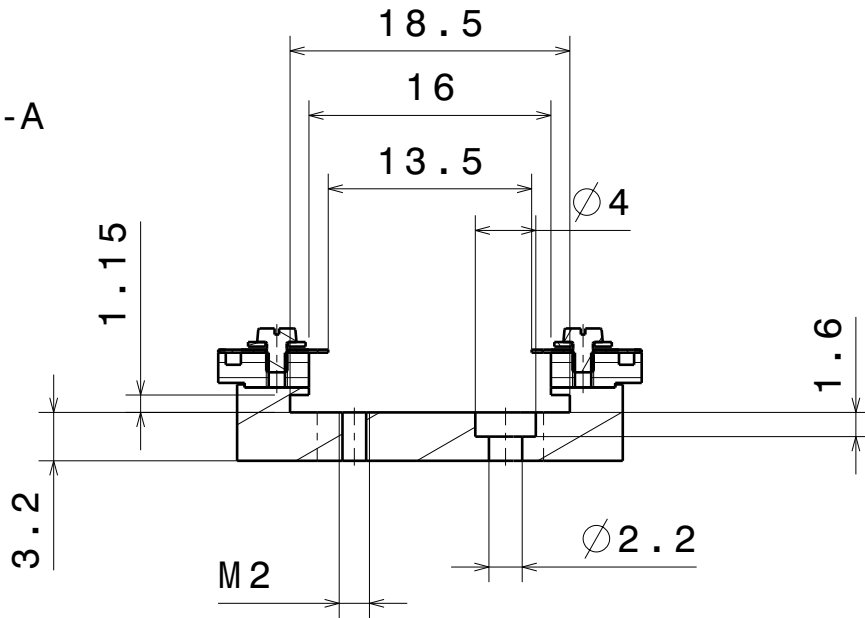
$\sqrt{\text{Ra 1.6}}$ (✓) $\begin{matrix} +0.2 \\ +0.1 \end{matrix}$ $\begin{matrix} -0.1 \\ -0.2 \end{matrix}$
 general tolerances ISO 2768-K

(1:1)



Material: Sapphire, According to order	nominal	over	1	6	30	100	300	1000
Sample receiver with three-point contact	dimension up to		6	30	100	300	1000	2000
	tolerance ±		0.05	0.1	0.3	0.5	0.8	1.2
REC	Scale	Drawn	Denys Sutter					
		Date	02.04.2014					
		Checked	...					
Ferrovac GmbH CH-8050 Zurich	THE INFORMATION CONTAINED IN THIS DRAWING IS THE SOLE PROPERTY OF FERROVAC GMBH. ANY REPRODUCTION IN PART OR AS WHOLE WITHOUT OUR PERMISSION IS PROHIBITED.	Scale	2:1 (5:1) (1:1)					
		RECOM3S sheet 1/1						

A-A



Material: 1.4301, Mo, Shapal M

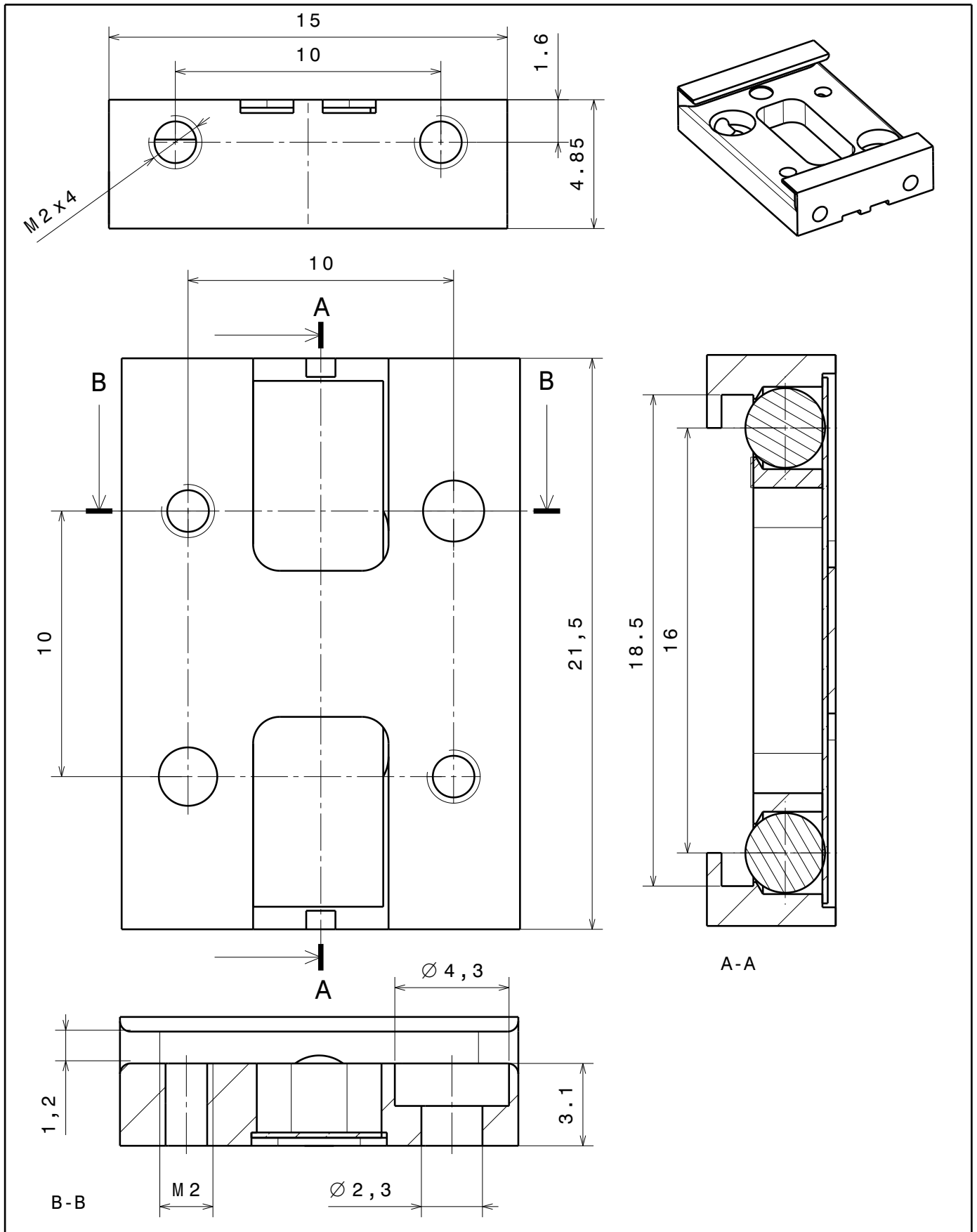
Receiver for DC-heating

Nennmass	über	1	6	30	100	300	1000
	bis	6	30	100	300	1000	2000
Toleranz	±	0.05	0.1	0.3	0.5	0.8	1.2
Masstab	gezeichnet		von Gunten				
	Datum		14.11.2005				
	geändert		26.05.14 UM				

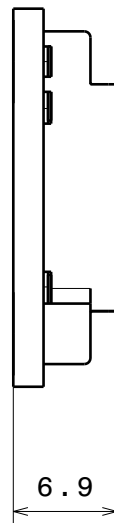
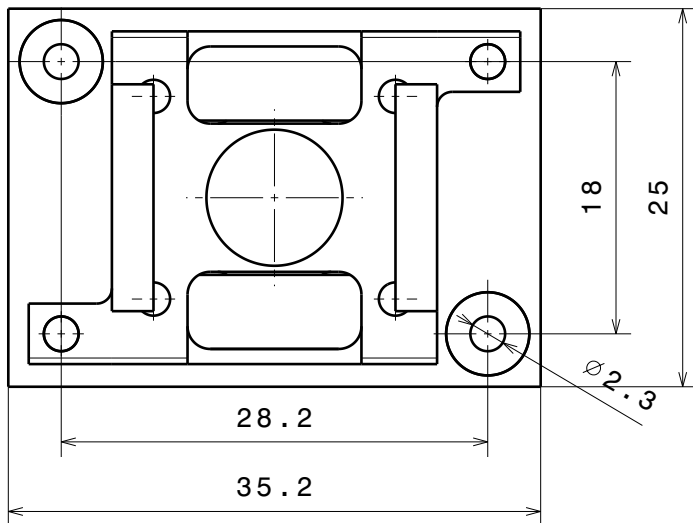
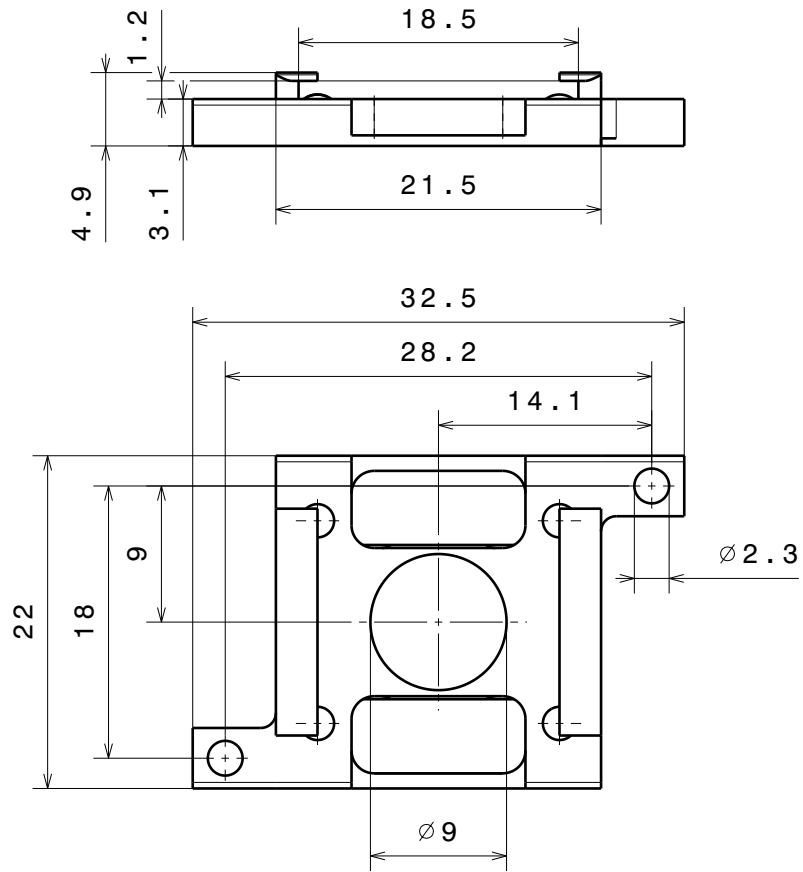
2:1

RECOMDC

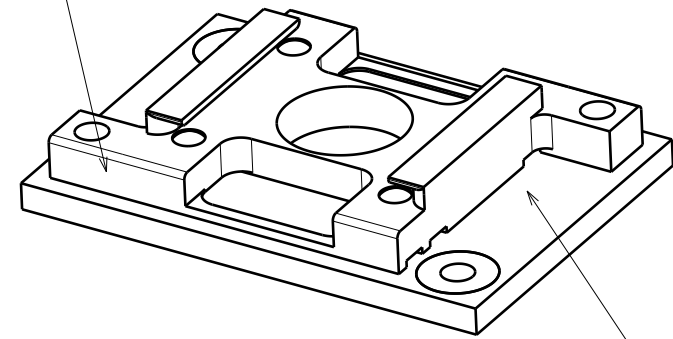
Ferrovac GmbH
8050 Zürich



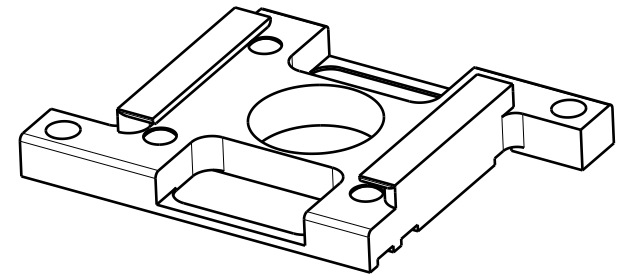
Material: gemäss Bestellung	Nennmass	über	1	6	30	100	300	1000
Receptacle for SHOM sample plates		bis	6	30	100	300	1000	2000
RECOMSM2	Toleranz	±	0.05	0.1	0.3	0.5	0.8	1.2
	Masstab	gezeichnet		Denys Sutter				
		Datum		18.03.2010				
		geändert		22.12.2010 MN				
Ferrovac GmbH CH-8050 Zürich	5:1	RECOMSM2						
		1/2						



RECOMHTR1001S

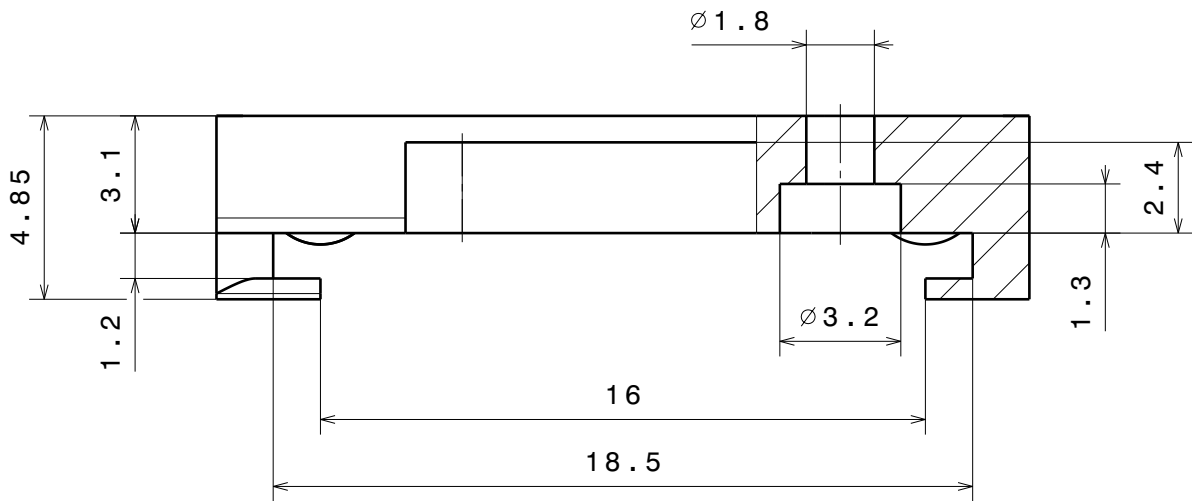
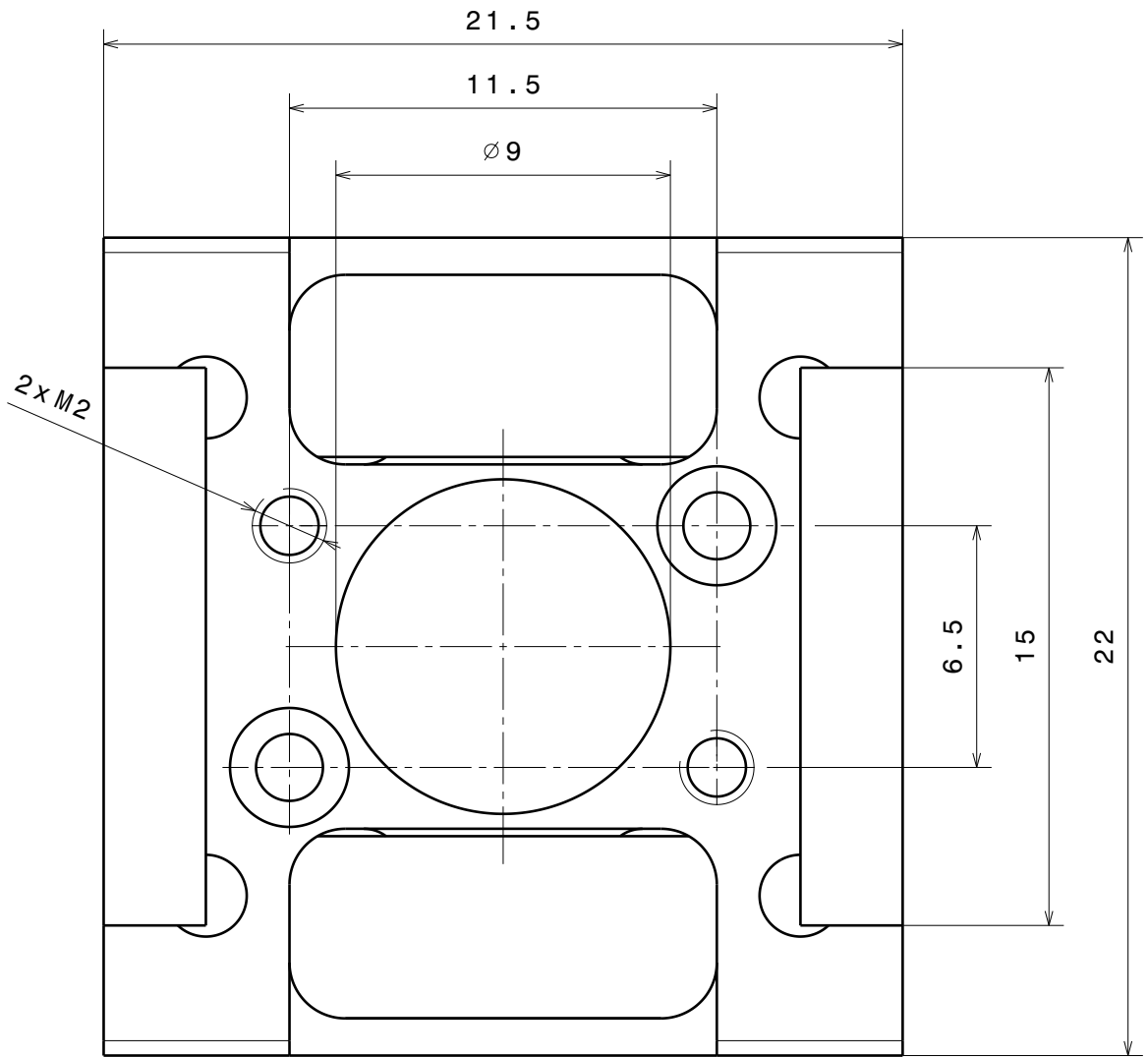


Boralectric resistive heating element not included



$\sqrt{\text{Ra } 0.8}$ (✓) $\begin{matrix} +0.2 \\ +0.1 \end{matrix}$ $\begin{matrix} -0.1 \\ -0.2 \end{matrix}$
 general tolerances ISO 2768-K

Material: fully UHV compatible		nominal	over	1	6	30	100	300	1000
Receptacle for SHOM sample plates		dimension up to		6	30	100	300	1000	2000
RECOMHTR1001S		tolerance \pm		0.05	0.1	0.3	0.5	0.8	1.2
		Scale	Drawn	D.Rechsteiner					
		1:2	Date	07.03.2014					
			changed					
Ferrovac GmbH		THE INFORMATION CONTAINED IN THIS DRAWING IS THE SOLE PROPERTY OF FERROVAC GMBH. ANY REPRODUCTION IN PART OR AS WHOLE WITHOUT OUR PERMISSION IS PROHIBITED.		RECOMHTR1001S					
CH-8050 Zurich		Rev.	A		sheet 1/1				



Material: according to order

Receptacle with rear access for SHOM
sample plates

RECOMRA

Ferrovac GmbH
CH-8050 Zurich

THE INFORMATION CONTAINED IN THIS
DRAWING IS THE SOLE PROPERTY OF
FERROVAC GMBH. ANY REPRODUCTION
IN PART OR AS WHOLE WITHOUT OUR
PERMISSION IS PROHIBITED.

nominal dimension	over	1	6	30	100	300	1000
	up to	6	30	100	300	1000	2000
tolerance	±	0.05	0.1	0.3	0.5	0.8	1.2

Scale

Drawn

M. Nyirö

Date

04.01.2011

Revised

.....

5:1

RECOMRA

sheet 1/2

spacer 00 --> no spacer

number of units
first stack

number of units
second stack

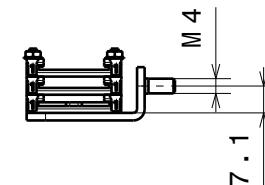
spacer 4 mm

additional options

Product: RECOMSTACK(04H00S02H04S)L
RECOMSTACK on straight adapter labeled

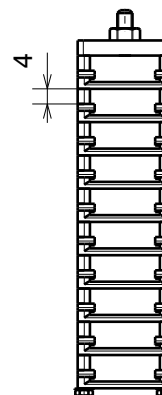
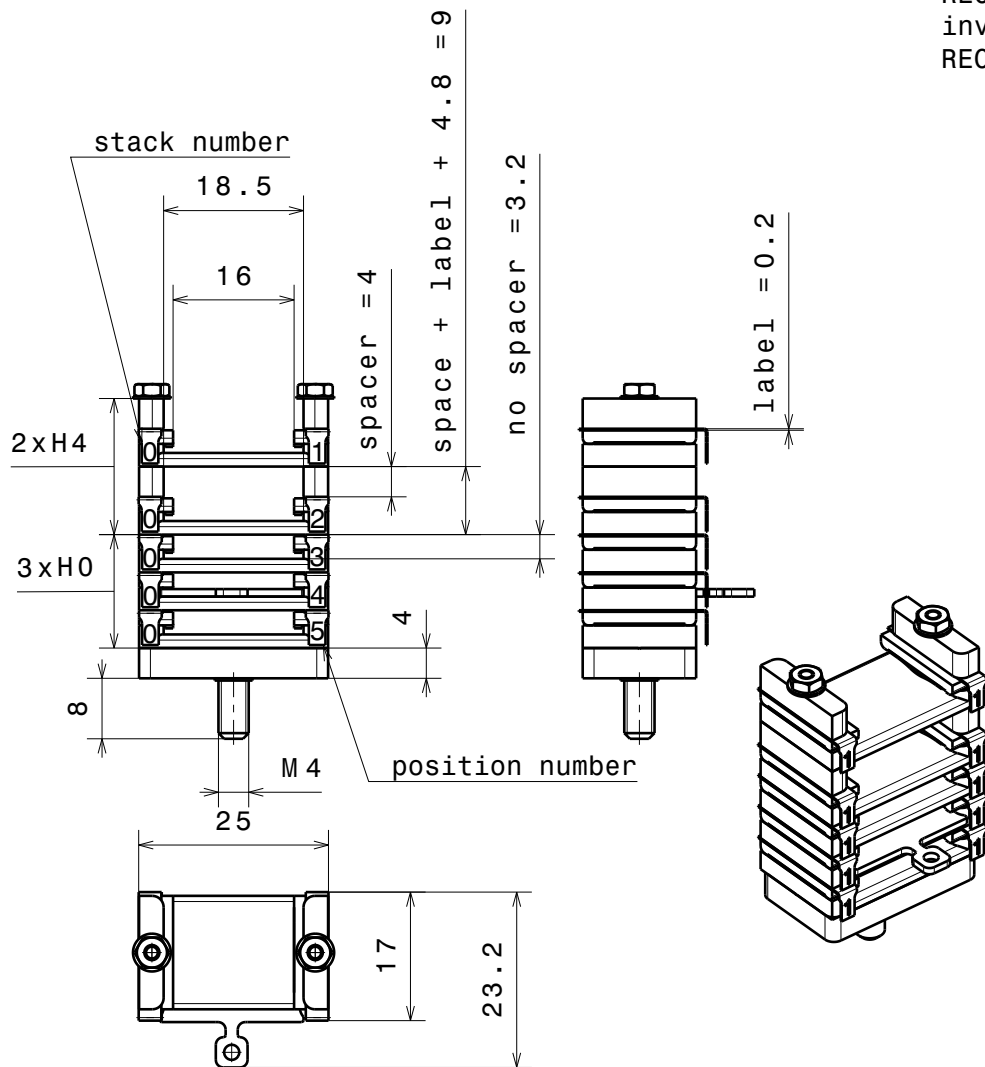
additional options:
L: labeled
H: inverse mounted

RECOMSTACK on orthogonal adapter labeled
RECOMSTACK0(03H00S)L

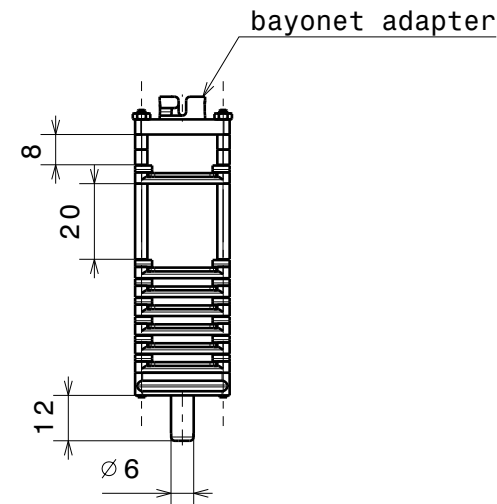


Example: RECOMSTACK(02H04S03H03S)L

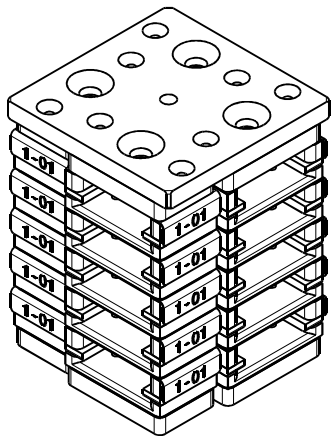
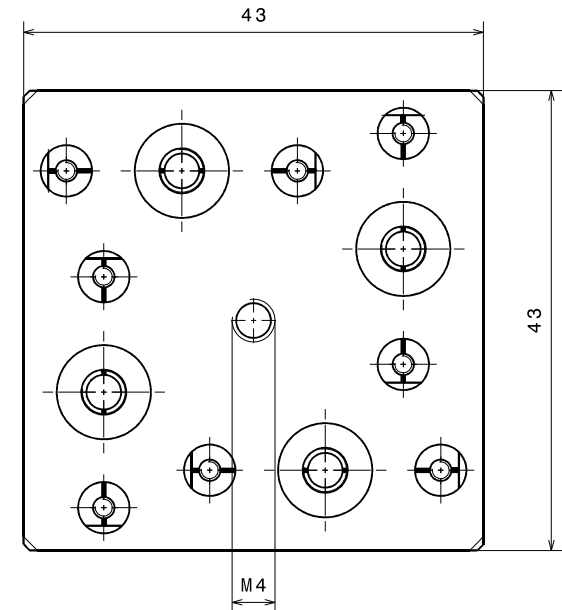
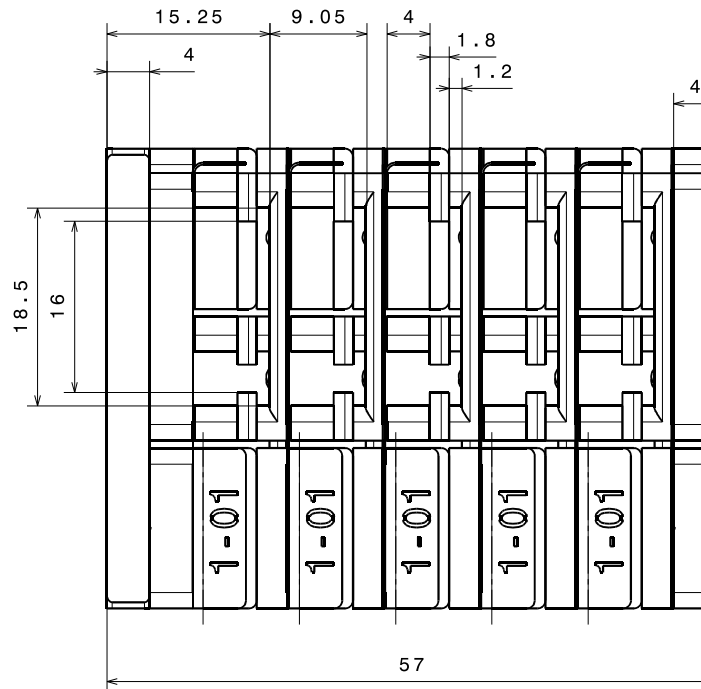
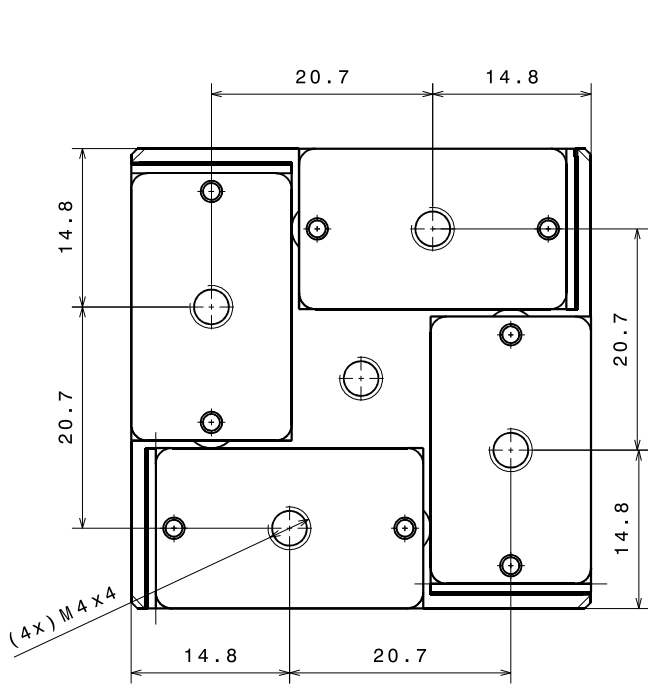
RECOMSTACK on straight adapter
inverse mounted
RECOMSTACK(10H04S)H



RECOMSTACK on bayonet adapter labeled
RECOMSTACKT(05H00S01H20S01H10S)L

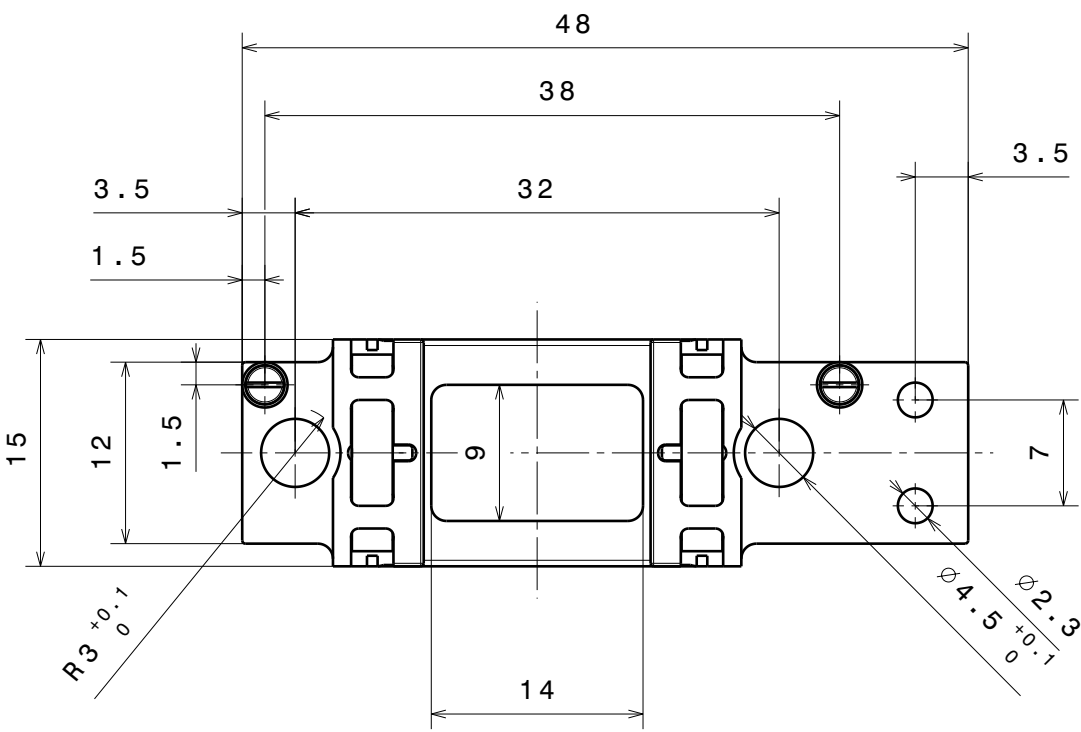
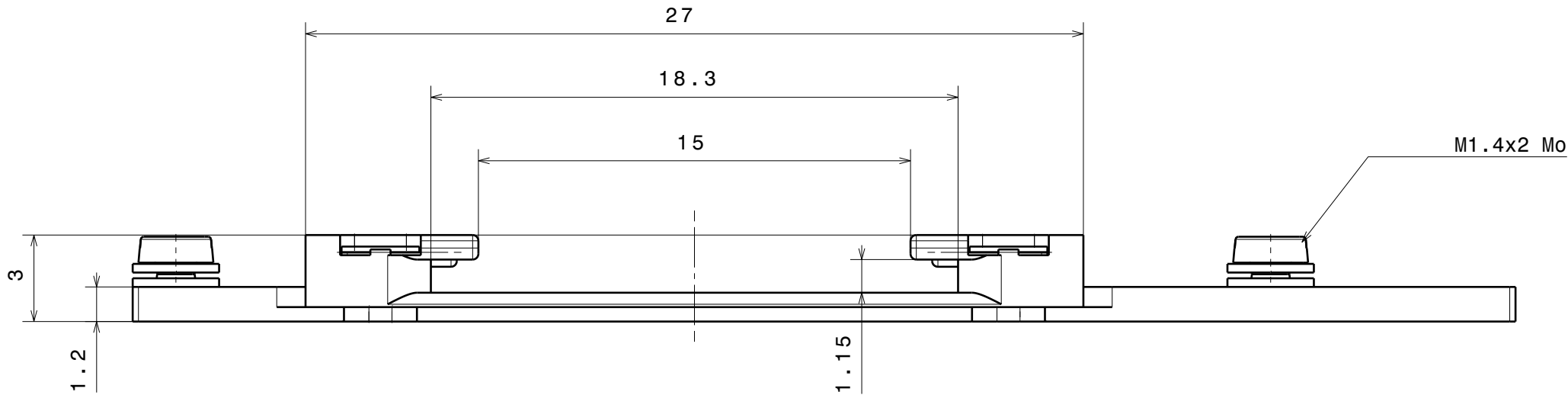


Material: fully UHV compatible materials	nominal over	1	6	30	100	300	1000
Stack of receptacles for SHOM sample plates	dimension up to	6	30	100	300	1000	2000
	tolerance ±	0.05	0.1	0.3	0.5	0.8	1.2
RECOMSTACK	Scale	Drawn		Brunner			
Ferrovac GmbH CH-8050 Zurich	1:1	Date	10.06.2015				
		changed	09.11.17 CW				
THE INFORMATION CONTAINED IN THIS DRAWING IS THE SOLE PROPERTY OF FERROVAC GMBH. ANY REPRODUCTION IN PART OR AS WHOLE WITHOUT OUR PERMISSION IS PROHIBITED.	Rev. D	RECOMSTACK A3 sheet 1/1					



$\sqrt{\text{Ra } 0.8}$ (✓) $\begin{matrix} +0.2 \\ +0.1 \end{matrix}$ $\begin{matrix} -0.1 \\ -0.2 \end{matrix}$
 general tolerances ISO 2768-K

Material: fully UHV compatible	nominal dimension	over up to	1	6	30	100	300	1000
	tolerance ±		0.05	0.1	0.3	0.5	0.8	1.2
Numbered stage of receptables for SHOM sample plates	Scale	Drawn	C. Weiss					
	RECOMSTAGE (20H04S) N	Date	12.05.2014					
2:1	Changed	31.10.2016 CW						
	THE INFORMATION CONTAINED IN THIS DRAWING IS THE SOLE PROPERTY OF FERROVAC GMBH. ANY REPRODUCTION IN PART OR AS WHOLE WITHOUT OUR PERMISSION IS PROHIBITED.	RECOMSTAGE (20H04S) N						
Ferrovac GmbH CH-8050 Zurich	Rev. B	A3 sheet 1/1						

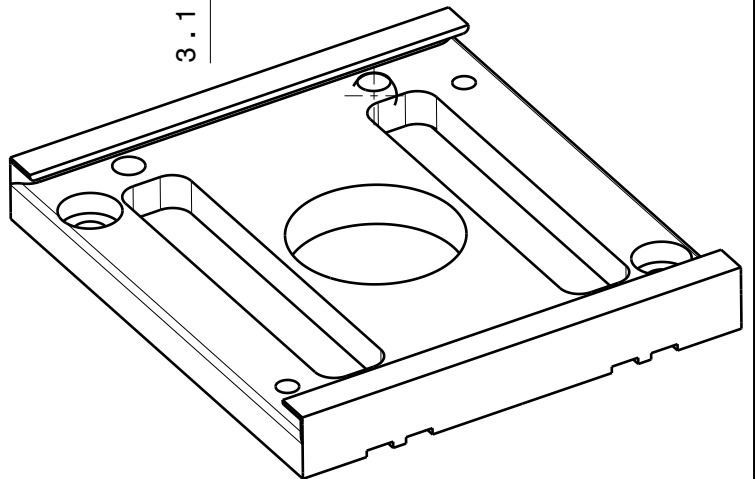
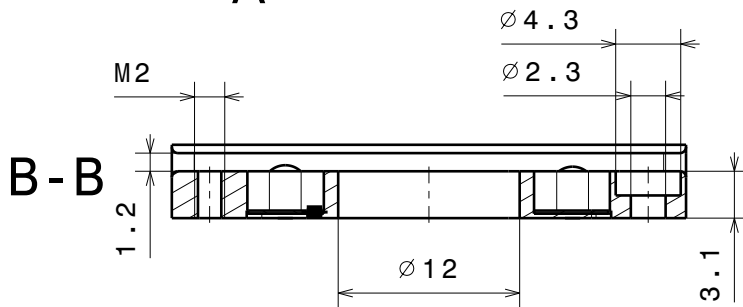
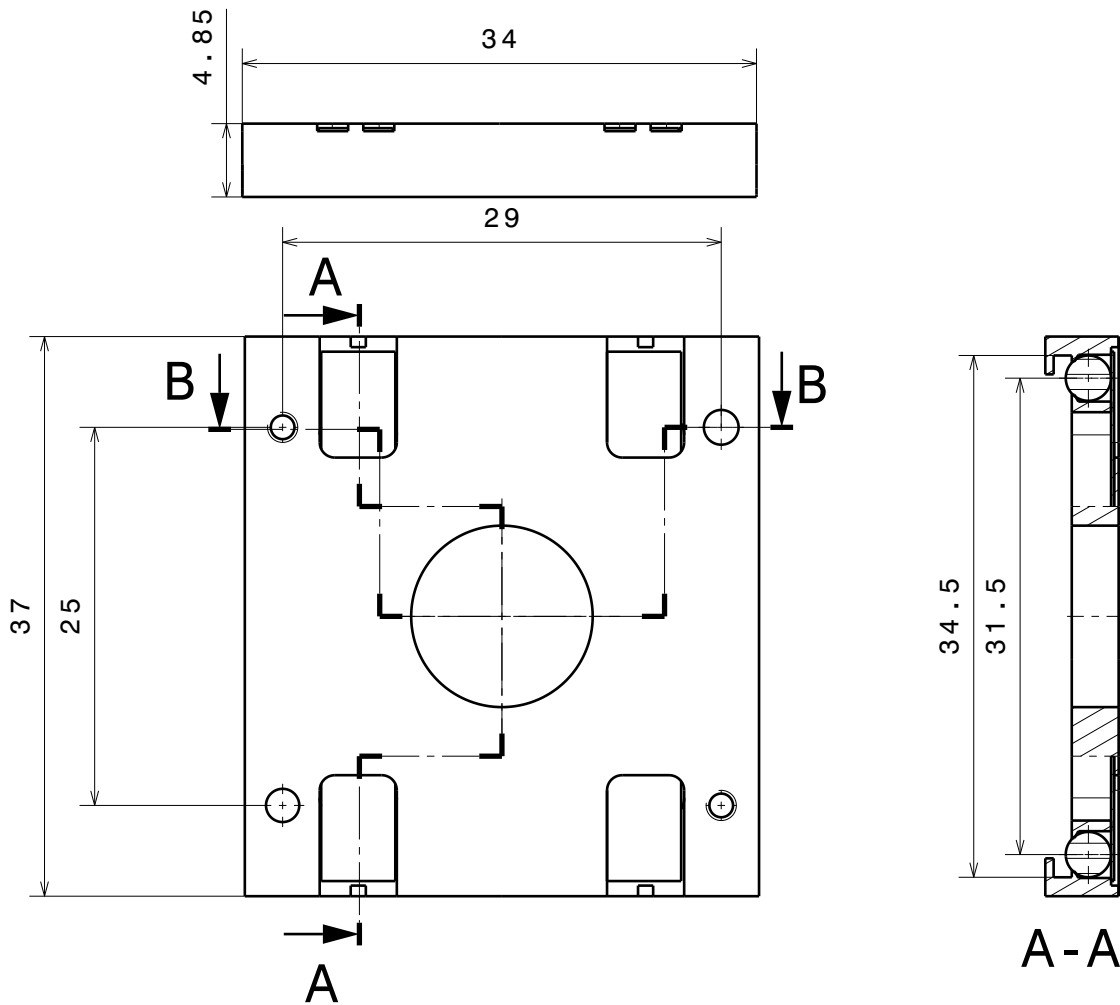


$\sqrt{\text{Ra 1.6}}$

$\begin{matrix} +0.2 \\ +0.1 \end{matrix}$ $\begin{matrix} -0.1 \\ -0.2 \end{matrix}$

general tolerances ISO 2768-K

Material: Molybdenum		nominal	over	1	6	30	100	300	1000
Receptor for Omicron Plates on VG-Scienta E-Beam Heater		dimension up to		6	30	100	300	1000	2000
		tolerance \pm		0.05	0.1	0.3	0.5	0.8	1.2
		Scale	Drawn	U. Maier					
			Date	24.11.2010					
			Revised	3.12.10 UM					
Ferrovac GmbH		THE INFORMATION CONTAINED IN THIS DRAWING IS THE SOLE PROPERTY OF FERROVAC GMBH. ANY REPRODUCTION IN PART OR AS WHOLE WITHOUT OUR PERMISSION IS PROHIBITED.		5:1 (2:1)		RECOMZEBH			
CH-8050 Zurich									



Material: according to order

Receptacle for SHUPS sample plates

nominal dimension	over	1	6	30	100	300	1000
	up to	6	30	100	300	1000	2000
tolerance	±	0.05	0.1	0.3	0.5	0.8	1.2

Scale Drawn C.Weiss

Date 06.12.2017

Revised ...

Ferrovac GmbH
CH-8050 Zurich

THE INFORMATION CONTAINED IN THIS DRAWING IS THE SOLE PROPERTY OF FERROVAC GMBH. ANY REPRODUCTION IN PART OR AS WHOLE WITHOUT OUR PERMISSION IS PROHIBITED.

5:1

RECUPS

sheet 1/1