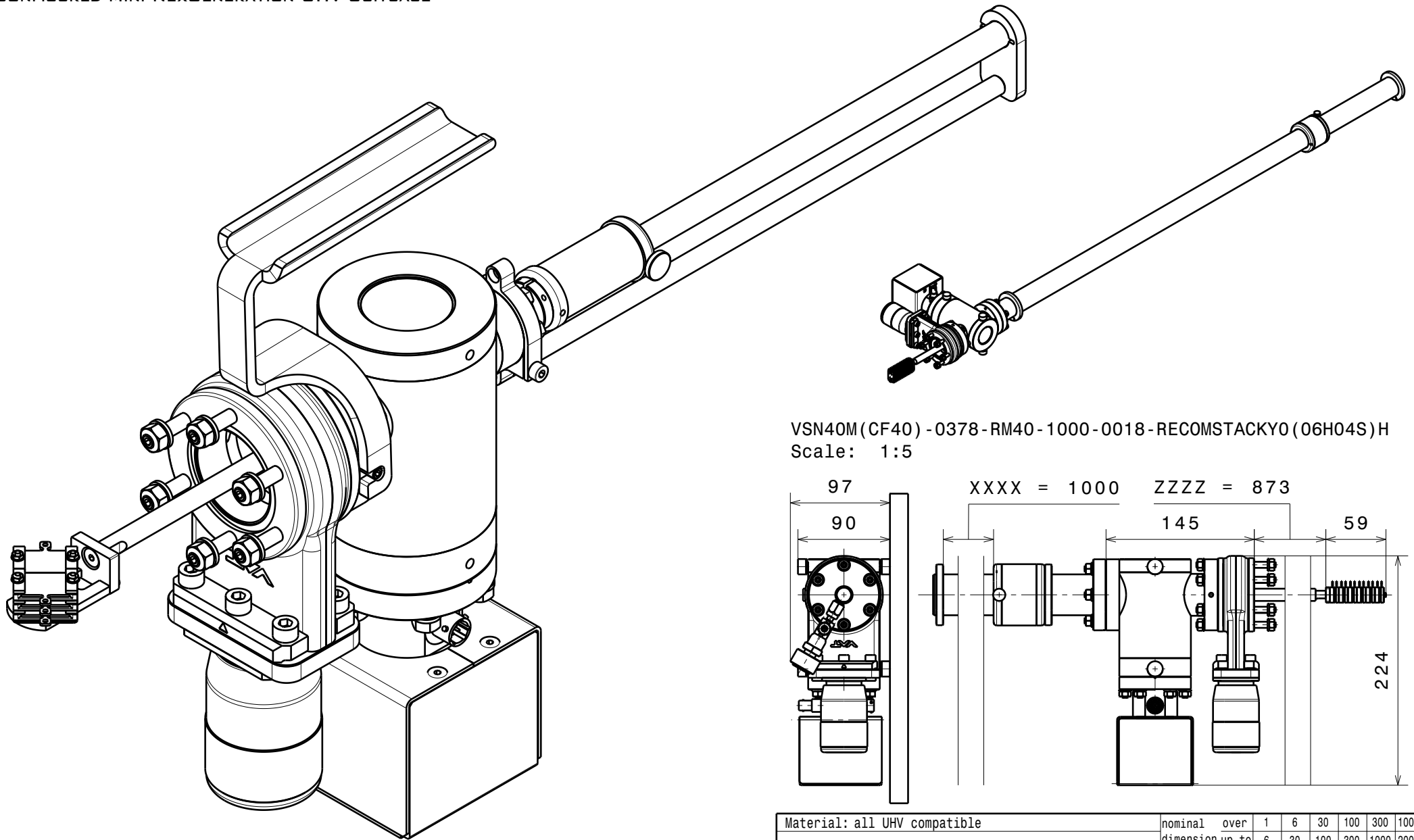
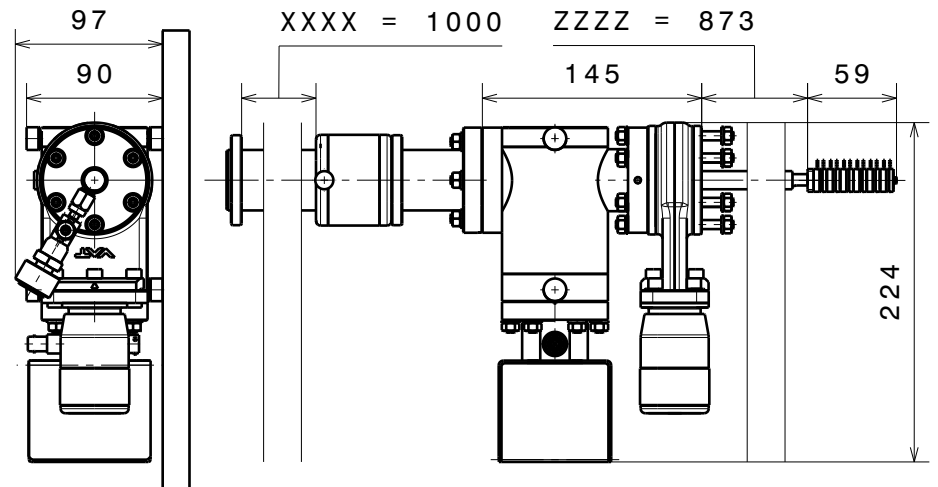


CONFIGURED MINI NEXGENERATION UHV SUITCASE



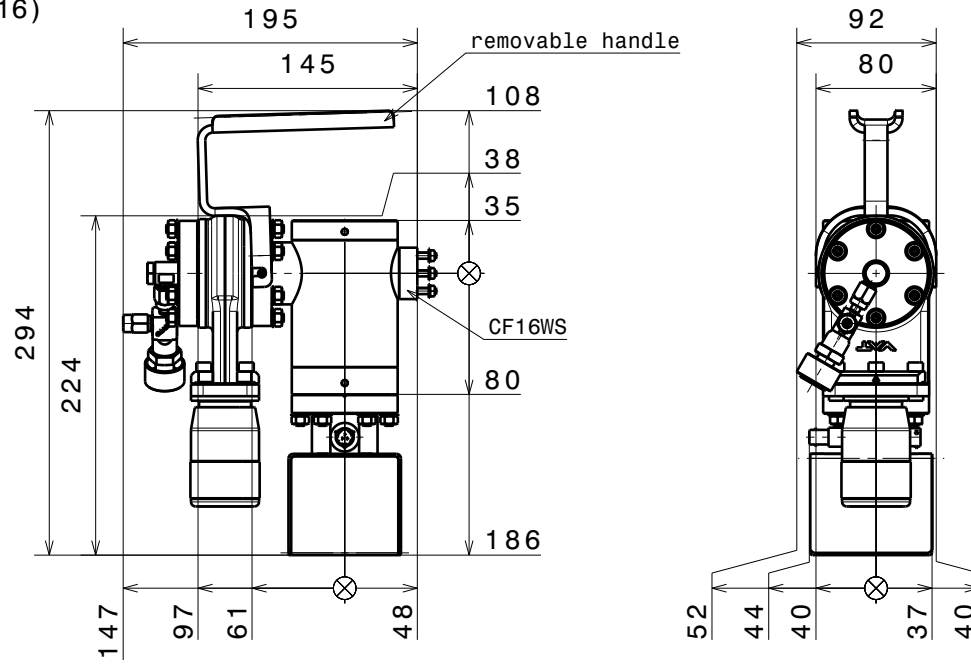
VSN40M(CF40) -0378-RM40 -1000-0018-RECOMSTACKY0(06H04S)H
 Scale: 1:5



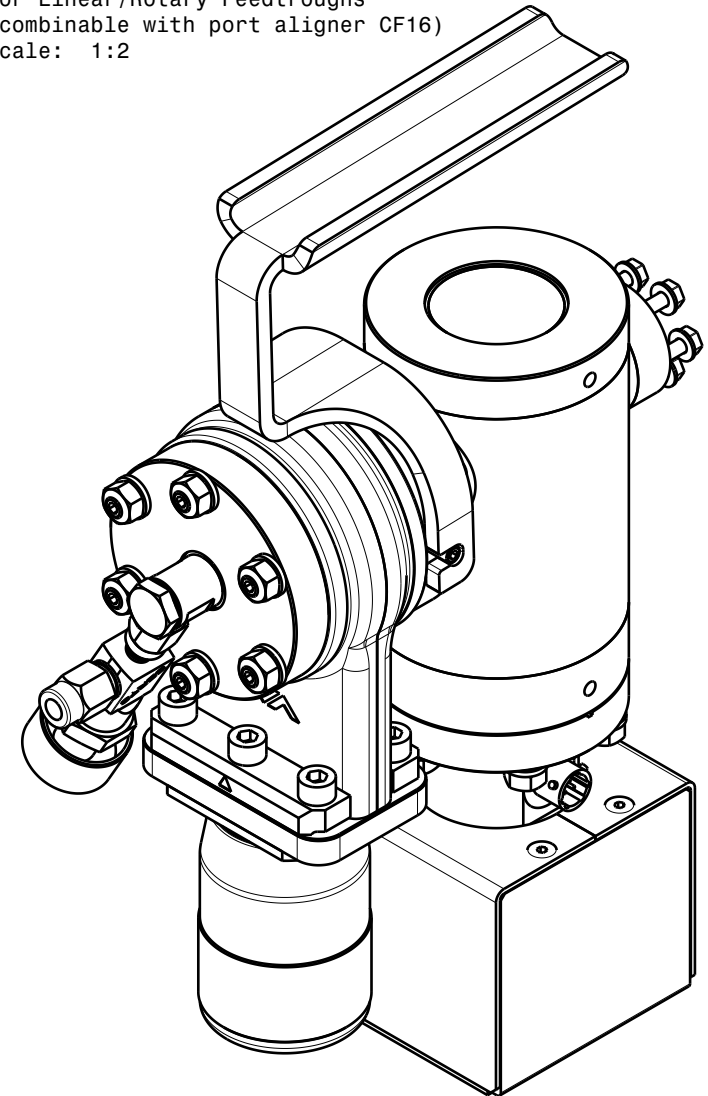
VSN40M(CF16) -0103-MD16-RSCPS60M-0200-0048-TSMDH16
 Scale: 1:2

Material: all UHV compatible		nominal	over	1	6	30	100	300	1000
Mini NexGeneration UHV Suitcase		dimension up to		6	30	100	300	1000	2000
VS		tolerance ±		0.05	0.1	0.3	0.5	0.8	1.2
		Scale	Drawn	von Gunten					
		1:5	Date	15.09.2016					
			changed					
Ferrovac GmbH CH-8050 Zurich		THE INFORMATION CONTAINED IN THIS DRAWING IS THE SOLE PROPERTY OF FERROVAC GMBH. ANY REPRODUCTION IN PART OR AS WHOLE WITHOUT OUR PERMISSION IS PROHIBITED.		Rev.		A		VSN40M 1/3	

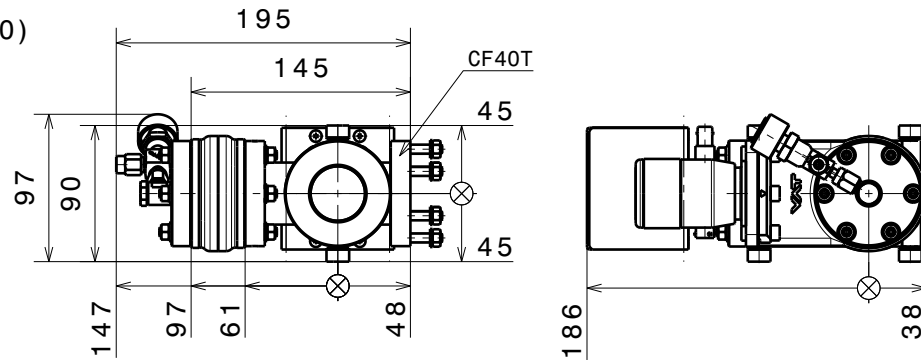
VSN40M(CF16)
Sideview



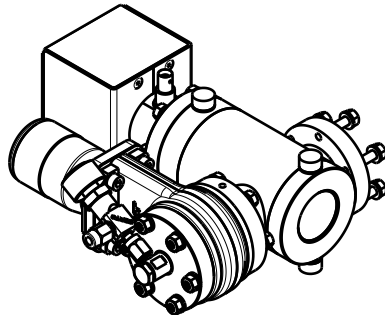
VSN40M(CF16)
for Linear/Rotary Feedtroughs
(combinable with port aligner CF16)
Scale: 1:2



VSN40M(CF40)
Sideview

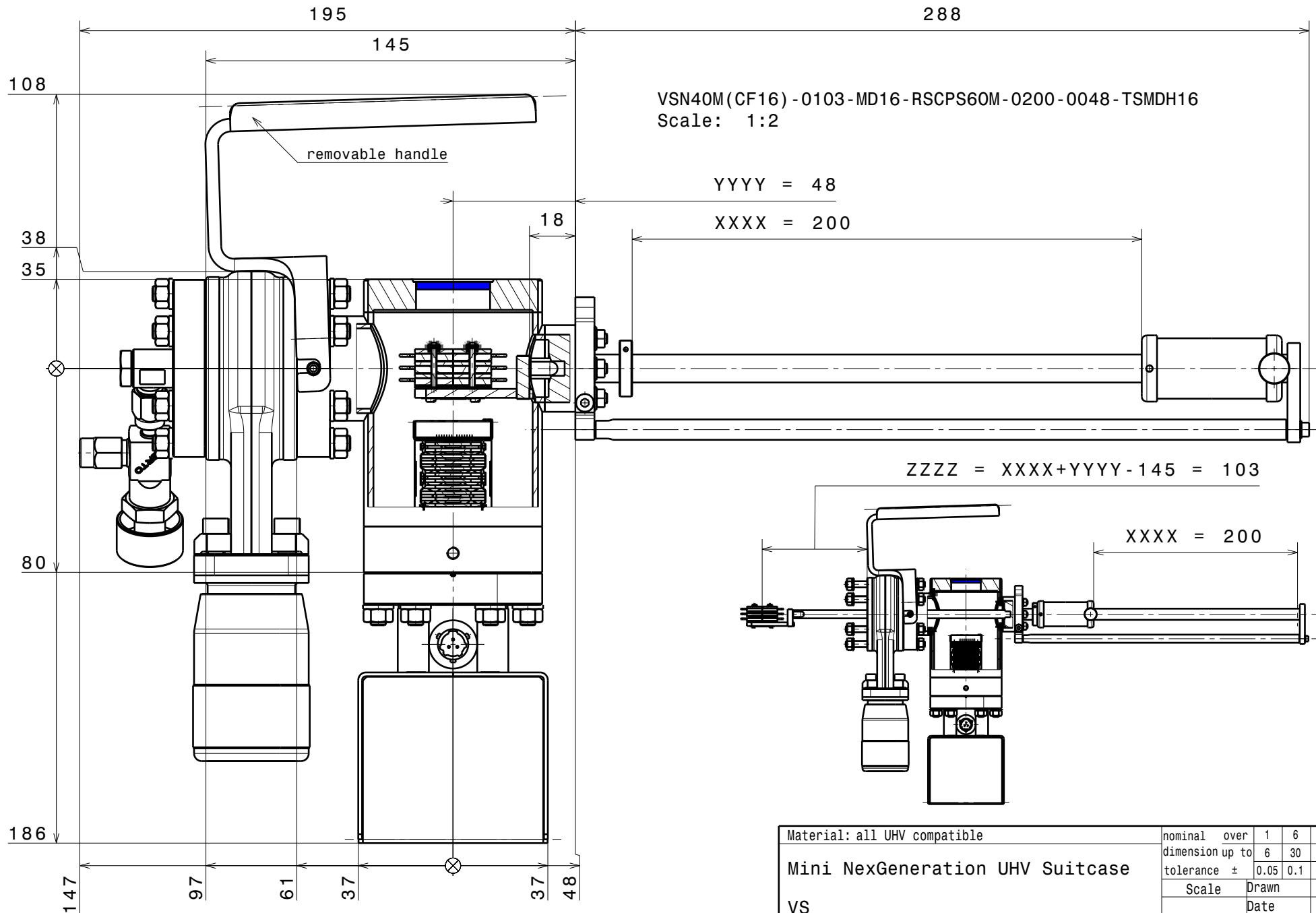


VSN40M(CF40)
for Sample Transporters
Scale: 1:5



BASE MODULE MINI NEXGENERATION UHV SUITCASE

Material: all UHV compatible		nominal	over	1	6	30	100	300	1000
Mini NexGeneration UHV Suitcase		dimension up to		6	30	100	300	1000	2000
VS		tolerance	±	0.05	0.1	0.3	0.5	0.8	1.2
		Scale	Drawn	von Gunten					
		1:5	Date	15.09.2016					
			changed					
Ferrovac GmbH CH-8050 Zurich		THE INFORMATION CONTAINED IN THIS DRAWING IS THE SOLE PROPERTY OF FERROVAC GMBH. ANY REPRODUCTION IN PART OR AS WHOLE WITHOUT OUR PERMISSION IS PROHIBITED.		VSN40M		2/3			
Rev.	A								

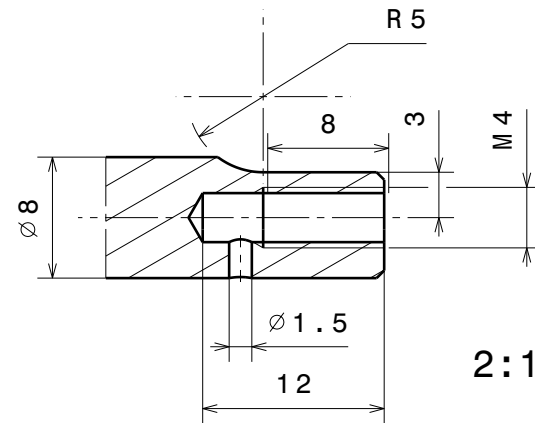
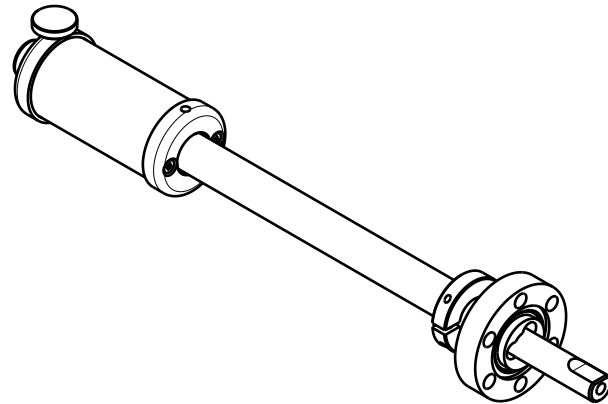
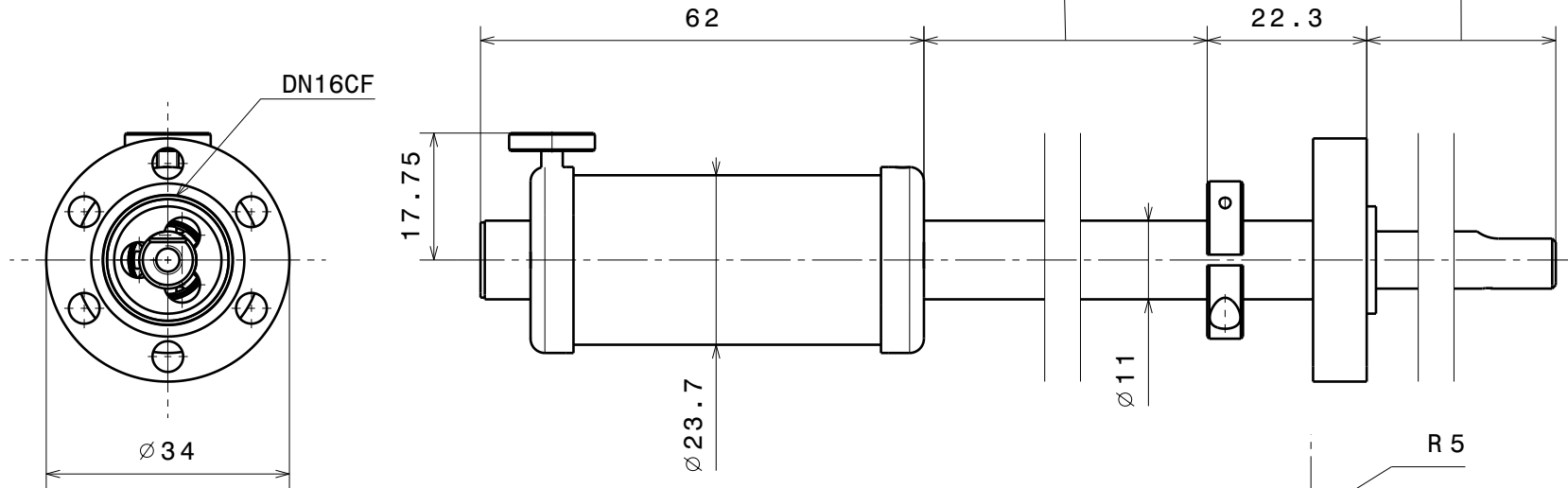


CONFIGURED MINI NEXGENERATION UHV SUITCASE

Material: all UHV compatible		nominal	over	1	6	30	100	300	1000
Mini NexGeneration UHV Suitcase		dimension up to		6	30	100	300	1000	2000
VS		tolerance ±		0.05	0.1	0.3	0.5	0.8	1.2
		Scale	Drawn	von Gunten					
		1:5	Date	15.09.2016					
			changed					
Ferrovac GmbH CH-8050 Zurich		THE INFORMATION CONTAINED IN THIS DRAWING IS THE SOLE PROPERTY OF FERROVAC GMBH. ANY REPRODUCTION IN PART OR AS WHOLE WITHOUT OUR PERMISSION IS PROHIBITED.		VSN40M		3/3			
Rev.	A								

retracted shaft length YYYY in mm

linear travel XXXX in mm

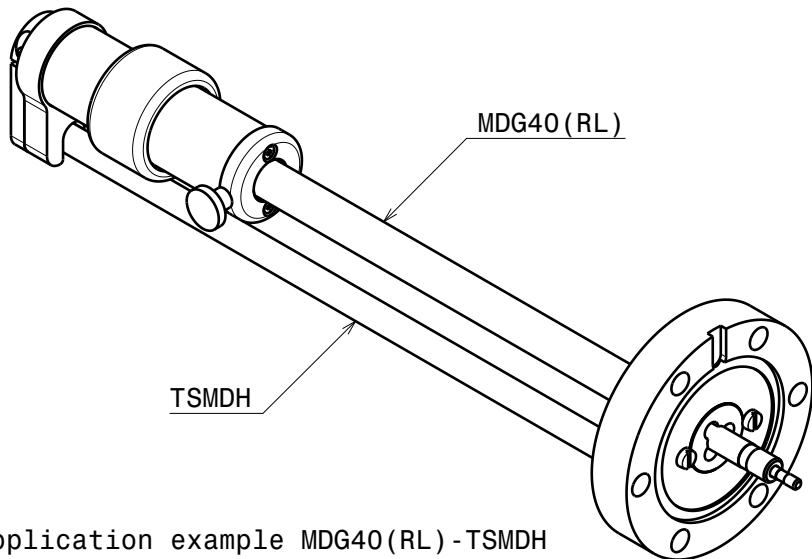
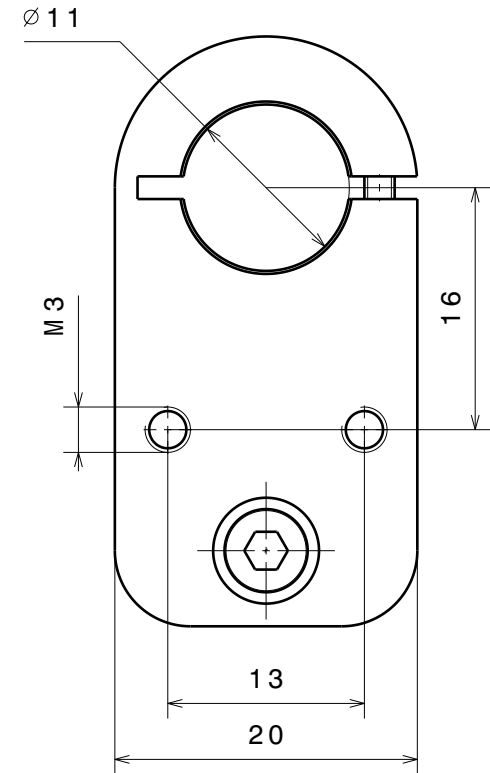
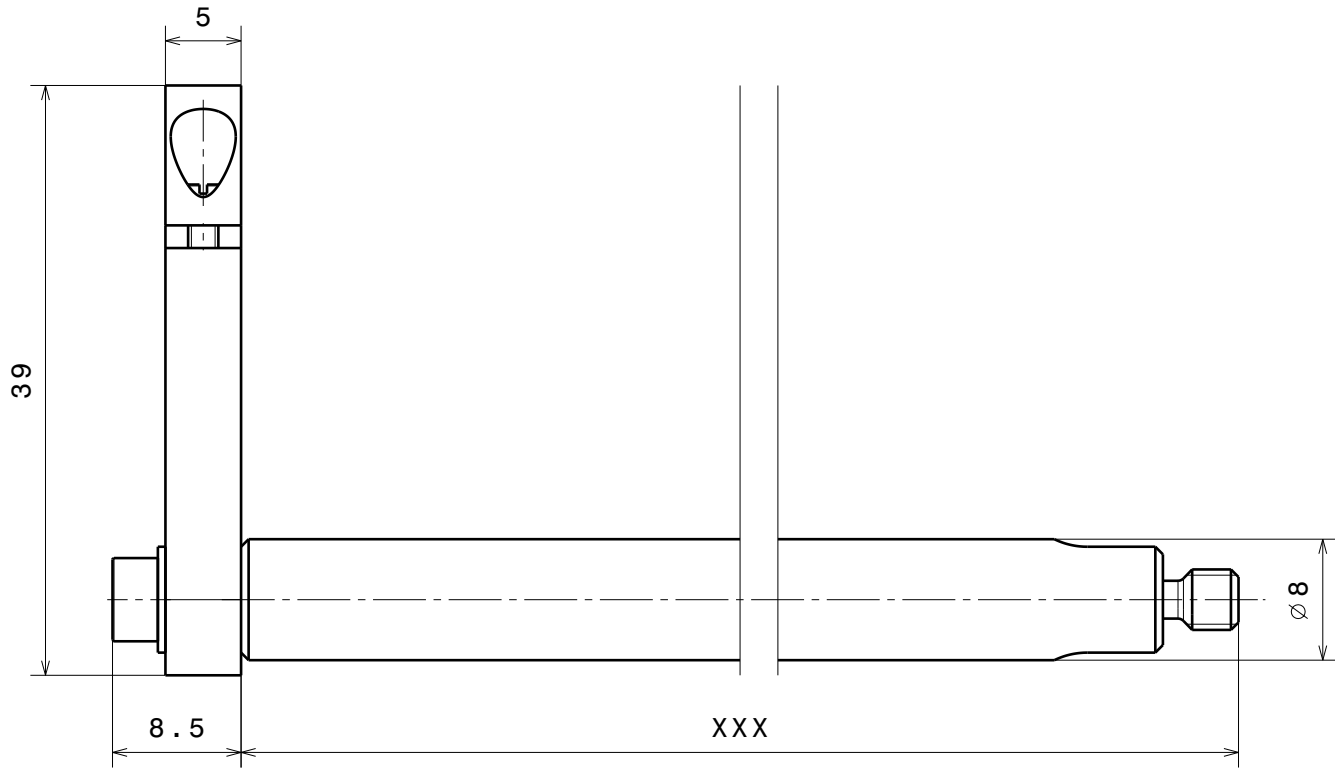


2:1

$\sqrt{\text{Ra 1.6}}$ (✓) \swarrow $\begin{matrix} +0.2 \\ +0.1 \end{matrix}$ \searrow $\begin{matrix} -0.1 \\ -0.2 \end{matrix}$
 general tolerances ISO 2768-K

Order code:
 MD16-XXXX-YYYY
 e.g. MD16-0200-0030

Material: fully UHV compatible materials	nominal	min.	1	6	30	100	300	1000
Linear Rotary Feedthrough DN16CF	dimension max.		6	30	100	300	1000	2000
	tolerance ±		0.05	0.1	0.3	0.5	0.8	1.2
MD	Scale	Drawn	Denys Sutter					
	1:1	Date	07.02.2011					
	(2:1)	Revised	02.11.16 JB					
Ferrovac GmbH CH-8050 Zurich	THE INFORMATION CONTAINED IN THIS DRAWING IS THE SOLE PROPERTY OF FERROVAC GMBH. ANY REPRODUCTION IN PART OR AS WHOLE WITHOUT OUR PERMISSION IS PROHIBITED.	Rev. C	MD16					



application example MDG40(RL) - TSMDH

$\sqrt{\text{Ra 1.6}}$ (✓) $\begin{matrix} +0.2 \\ +0.1 \end{matrix}$ $\begin{matrix} -0.1 \\ -0.2 \end{matrix}$
 general tolerances ISO 2768-K

Material:	nominal over	1	6	30	100	300	1000
Tube Support for MD40 single sided TS	dimension up to	6	30	100	300	1000	2000
	tolerance ±	0.05	0.1	0.3	0.5	0.8	1.2
Scale	Drawn	von Gunten					
	Date	03.12.2010					
2:1	Revised					
	TSM DH						sheet 1/1
Ferrovac GmbH CH-8050 Zurich		THE INFORMATION CONTAINED IN THIS DRAWING IS THE SOLE PROPERTY OF FERROVAC GMBH. ANY REPRODUCTION IN PART OR AS WHOLE WITHOUT OUR PERMISSION IS PROHIBITED.					